

Datasheet - BPS 33S

Safety sensors / BNS 33S / Actuator



- Stainless steel enclosure



(Minor differences between the printed image and the original product may exist!)

Ordering details

Product type description	BPS 33S
Article number	1184326
EAN code	4030661322223

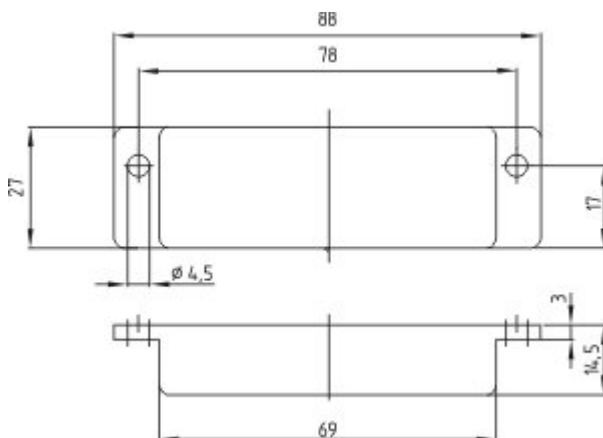
Global Properties

Product name	Magnet
Materials	
- Material of the housings	Stainless steel
Weight	125 g

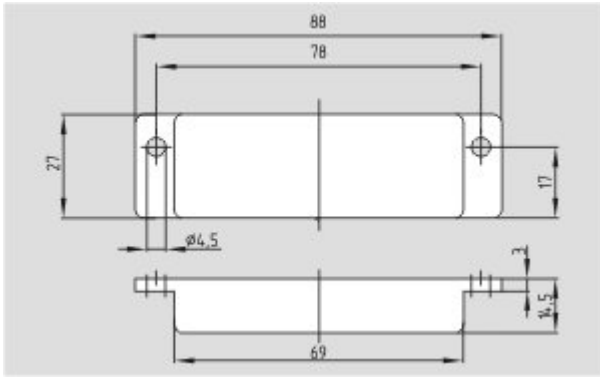
Dimensions

Dimensions of the actuators	
- Width of the actuator	88 mm
- Height of the actuator	27 mm
- Length of the actuator	14.5 mm

Images



Dimensional drawing (actuator)



Dimensional drawing (actuator)

K.A. Schmersal GmbH, Möddinghofe 30, D-42279 Wuppertal

The data and values have been checked thoroughly. Technical modifications and errors excepted.

Generiert am 21.04.2011 - 16:07:55h Kasbase 1.4.7 DBI