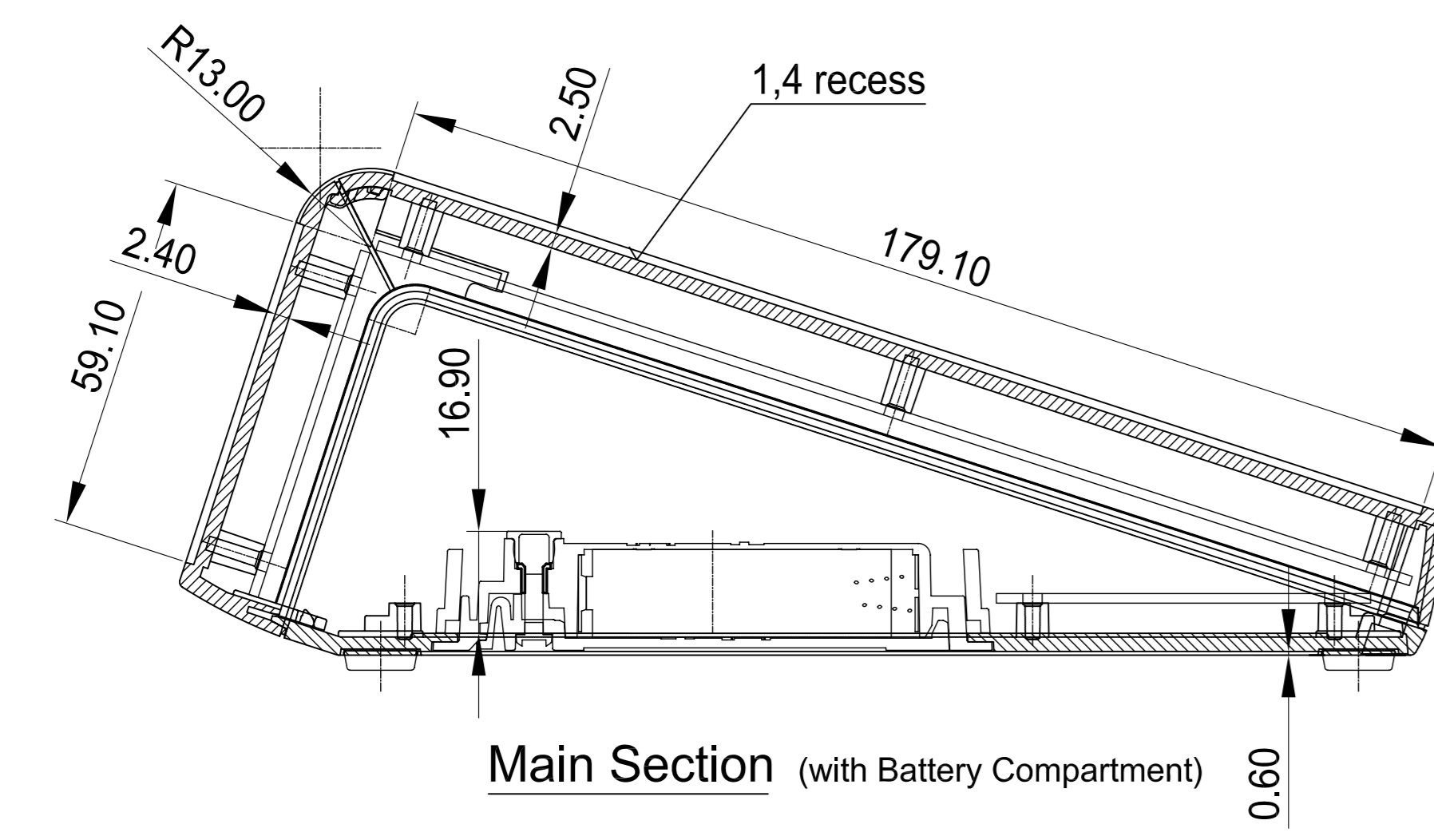
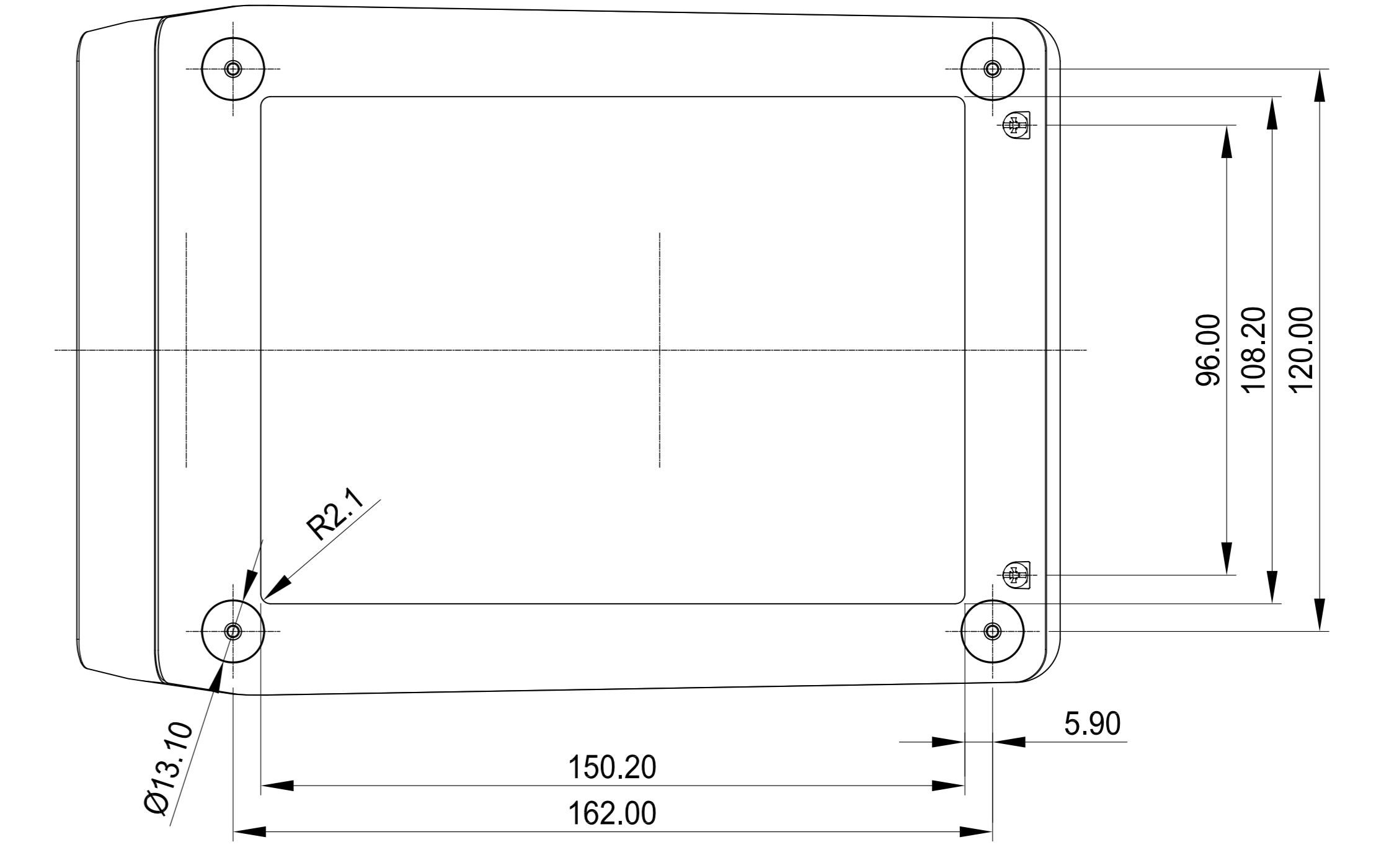
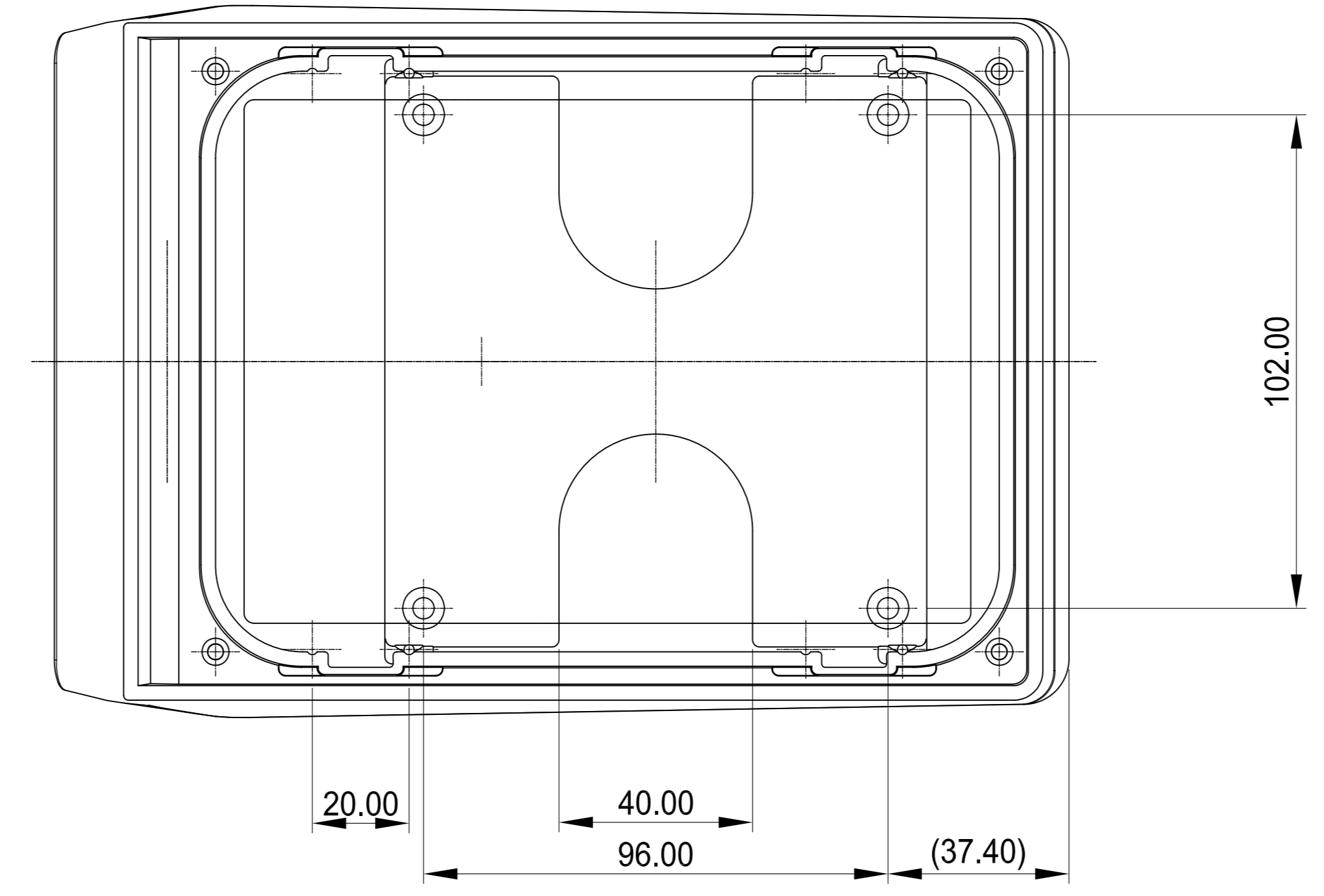
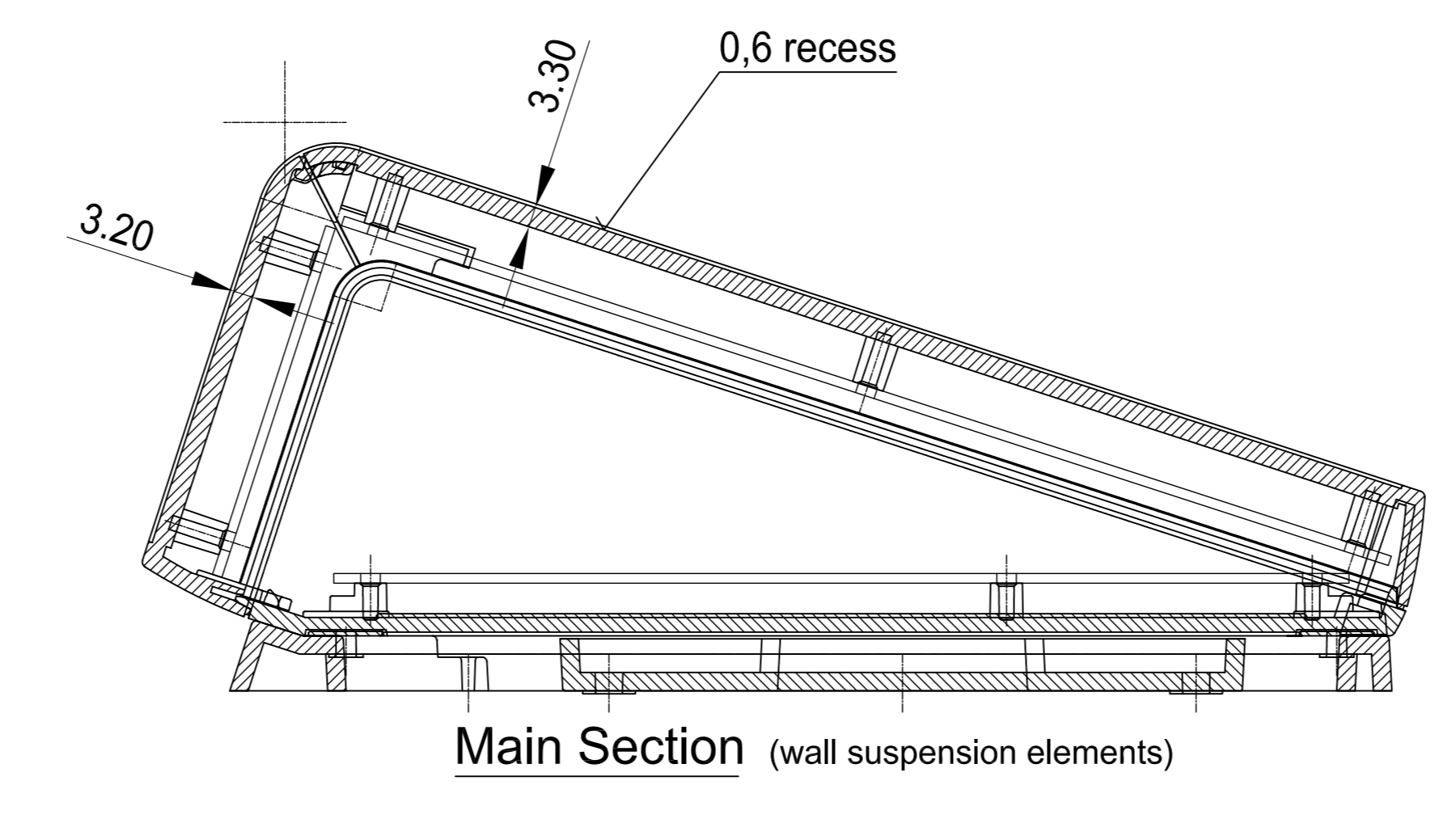


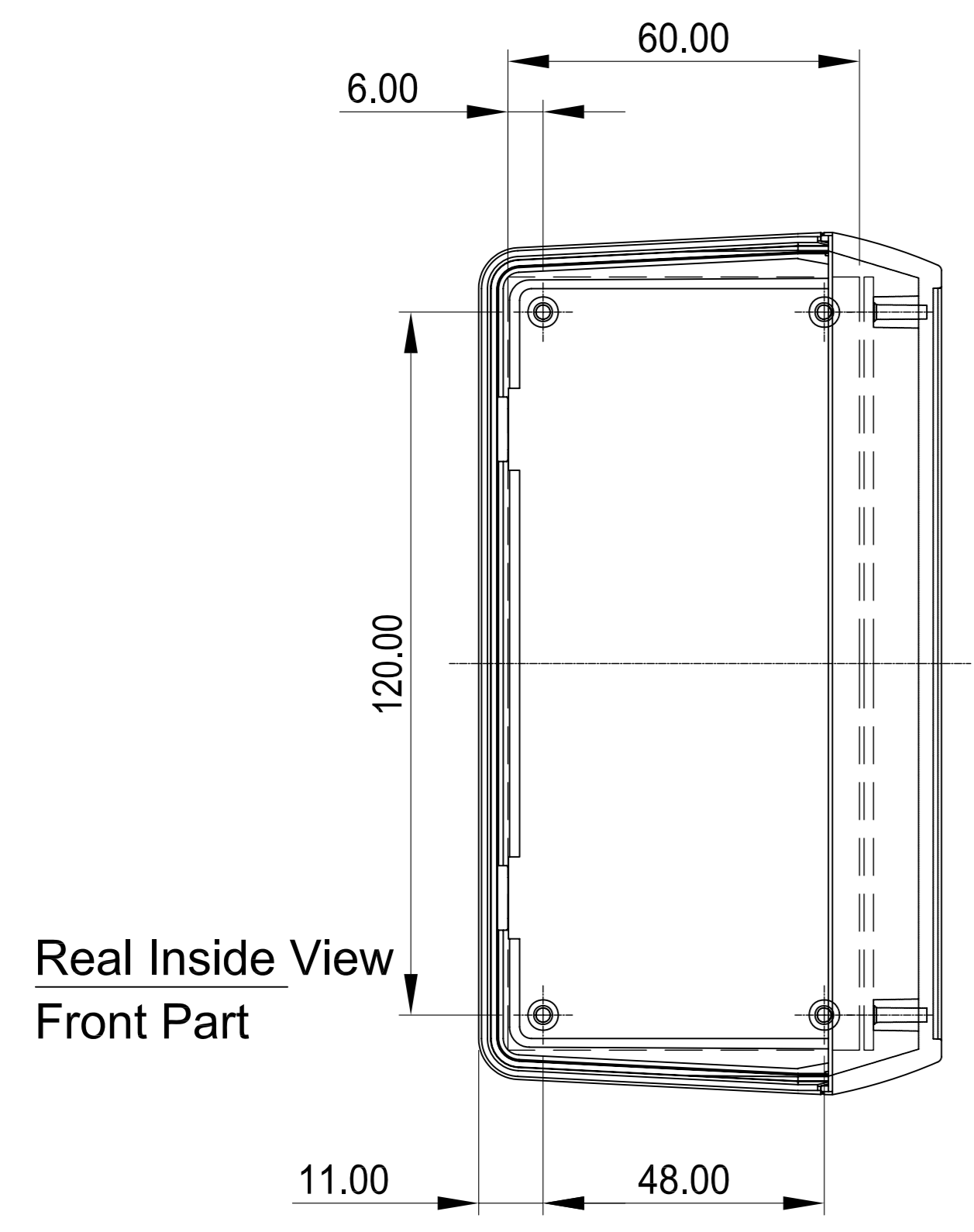
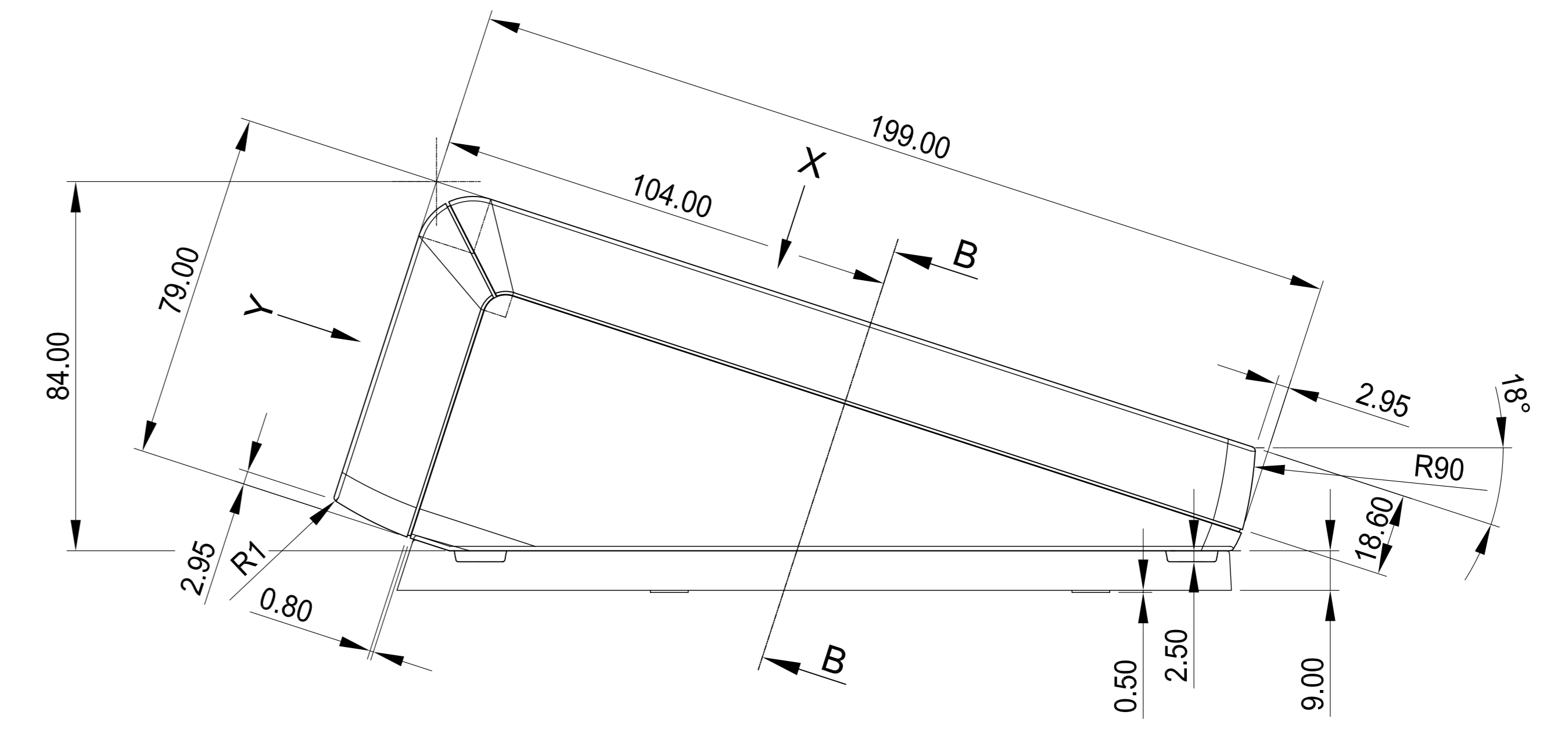
Real Inside View  
Bottom Part



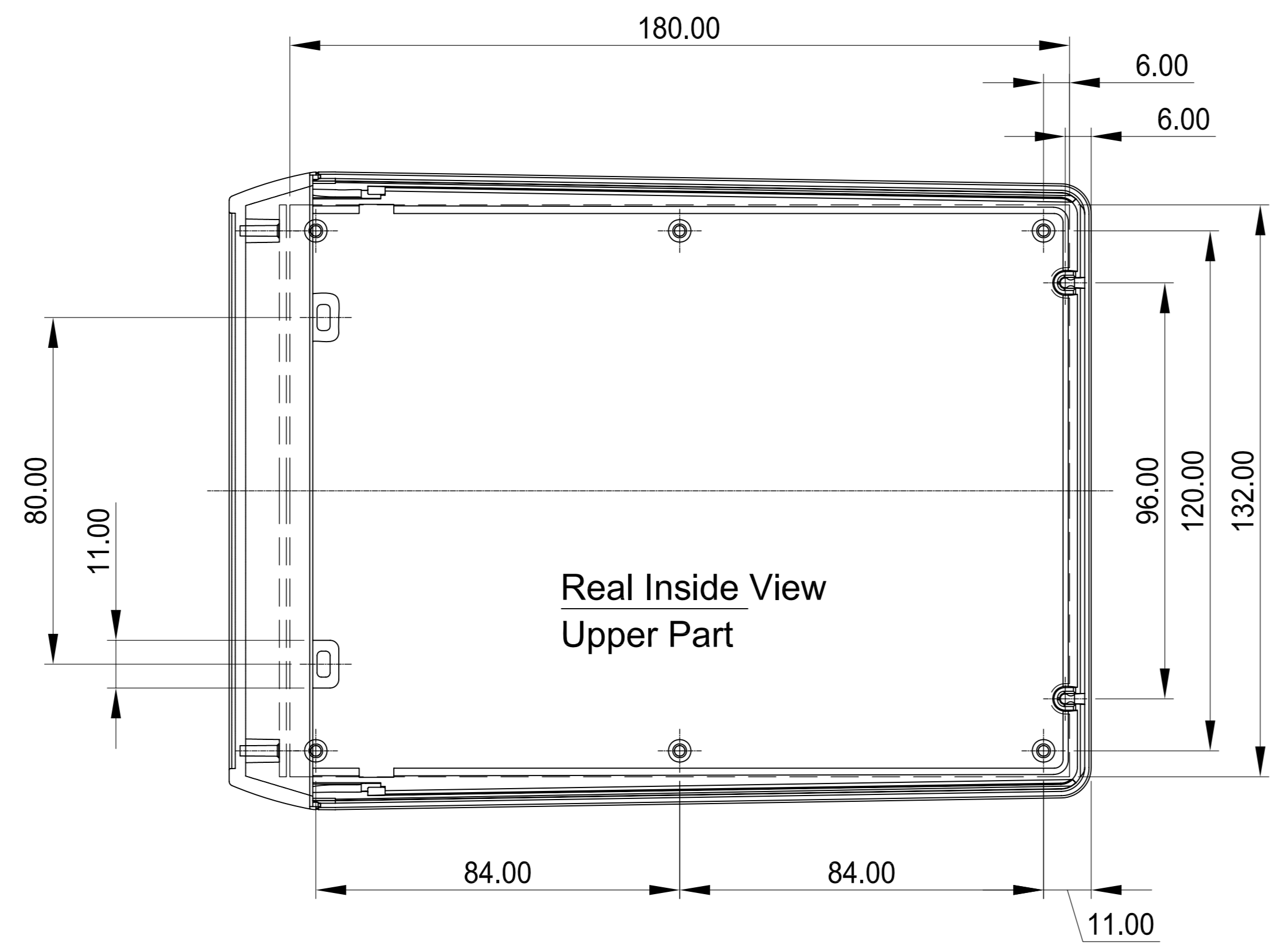
Main Section (with Battery Compartment)



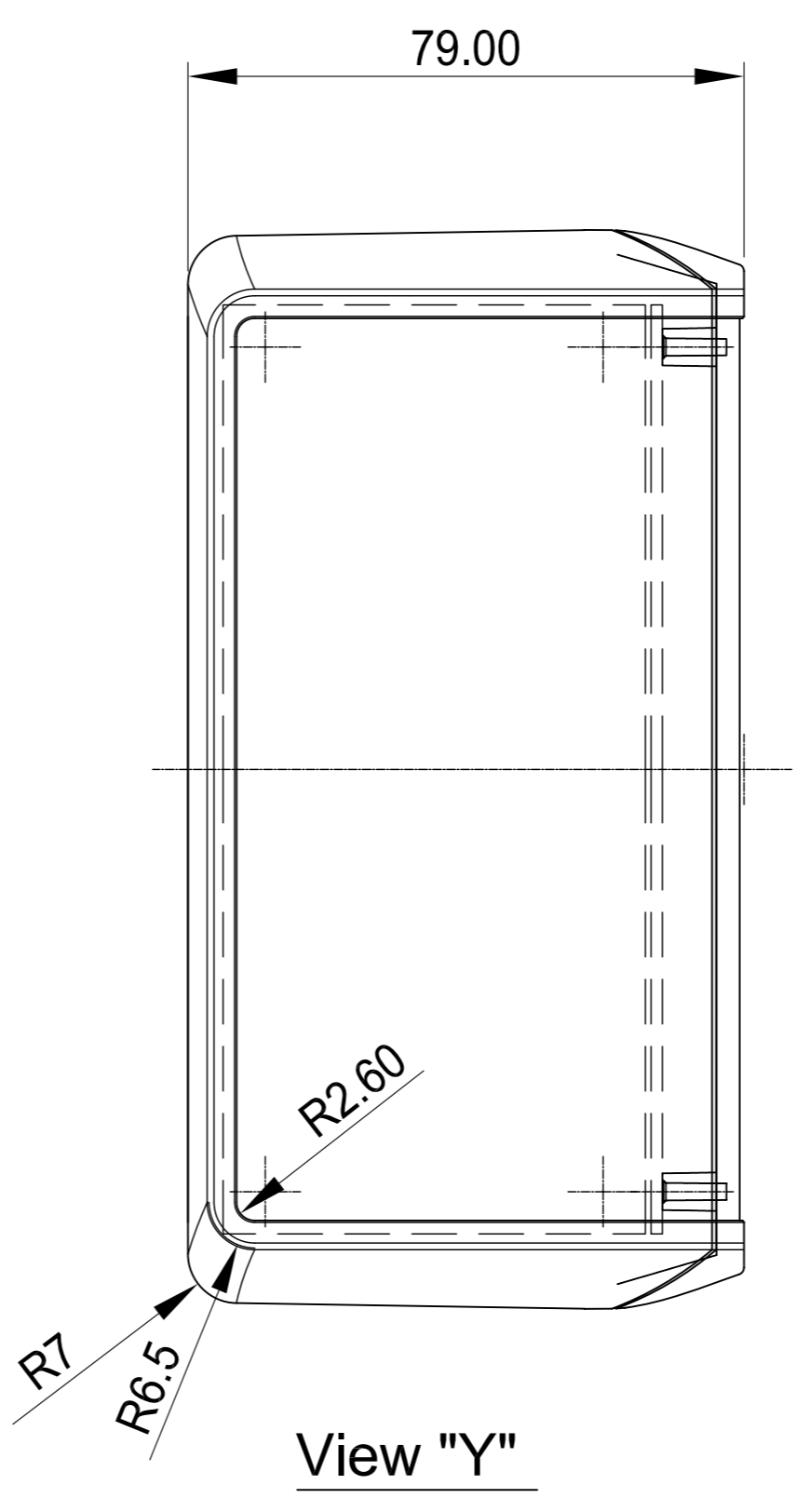
Main Section (wall suspension elements)



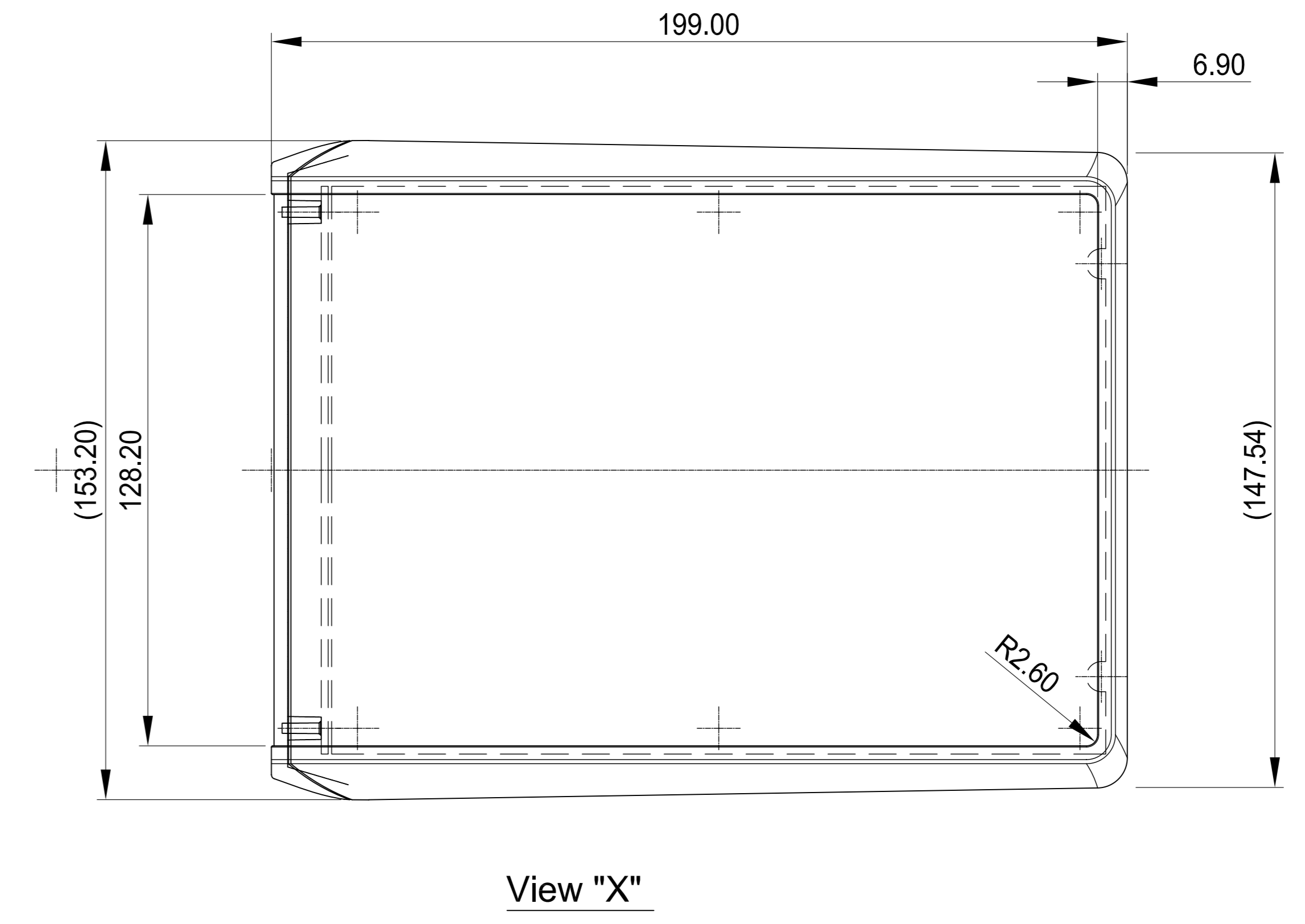
Real Inside View  
Front Part



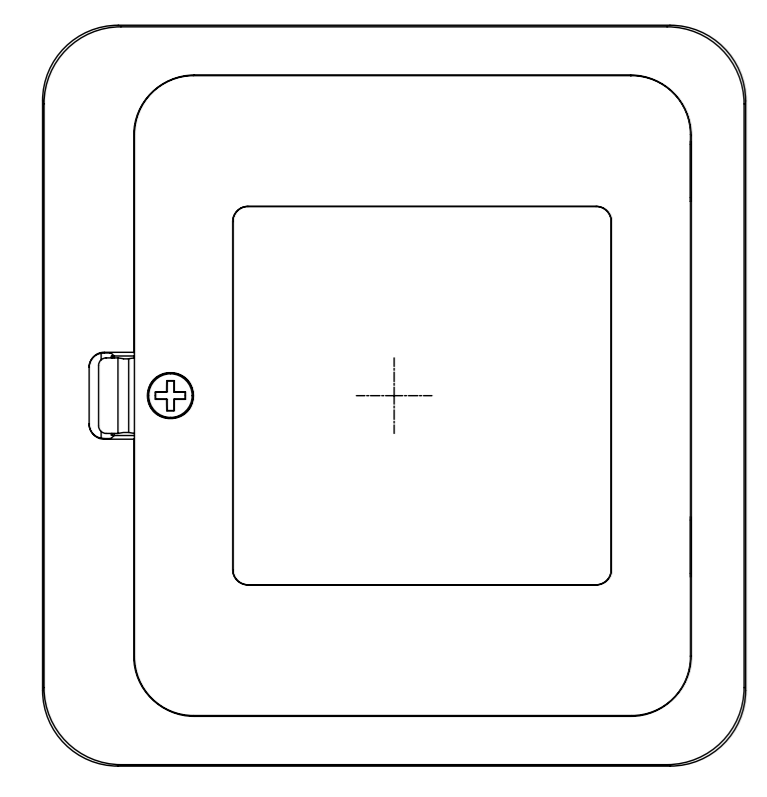
Real Inside View  
Upper Part



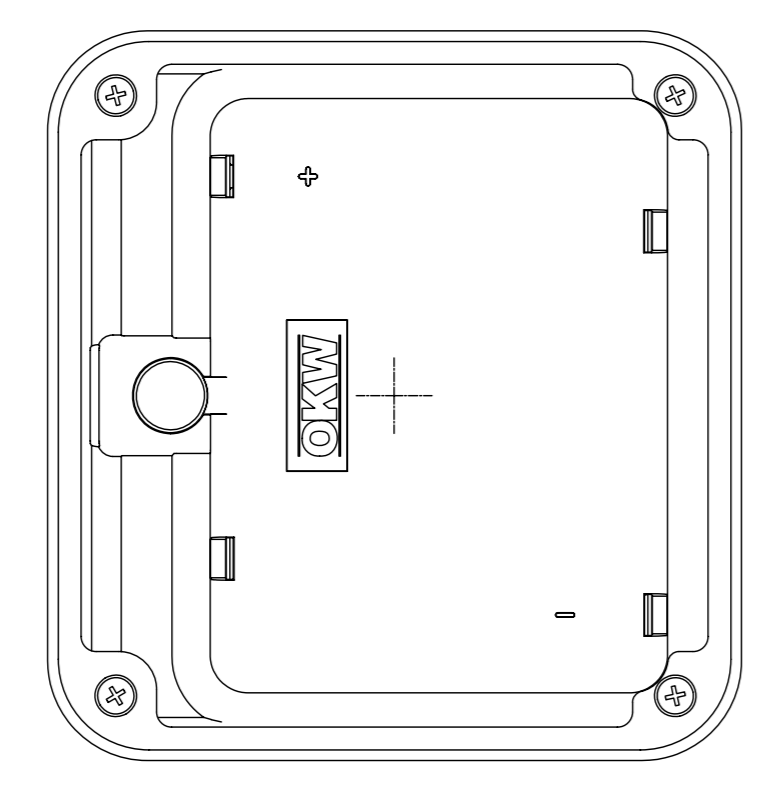
View "Y"



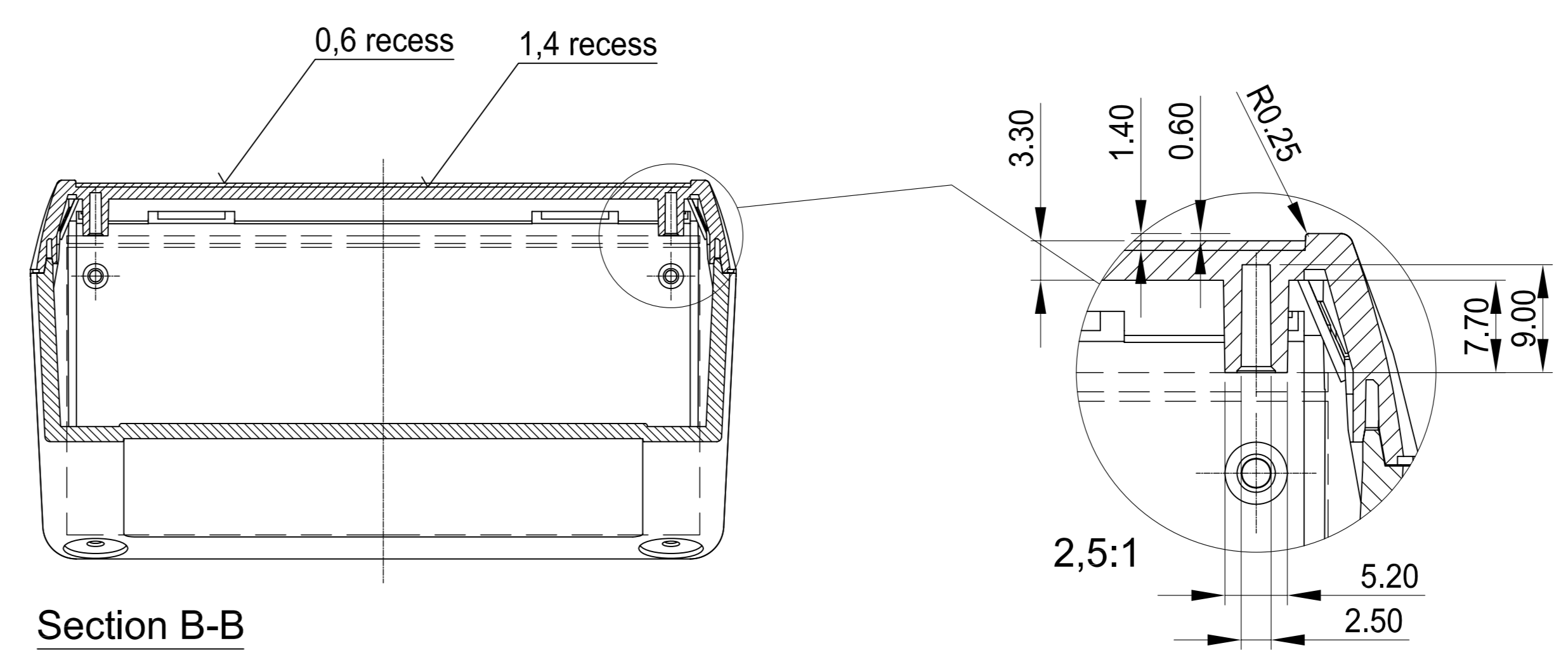
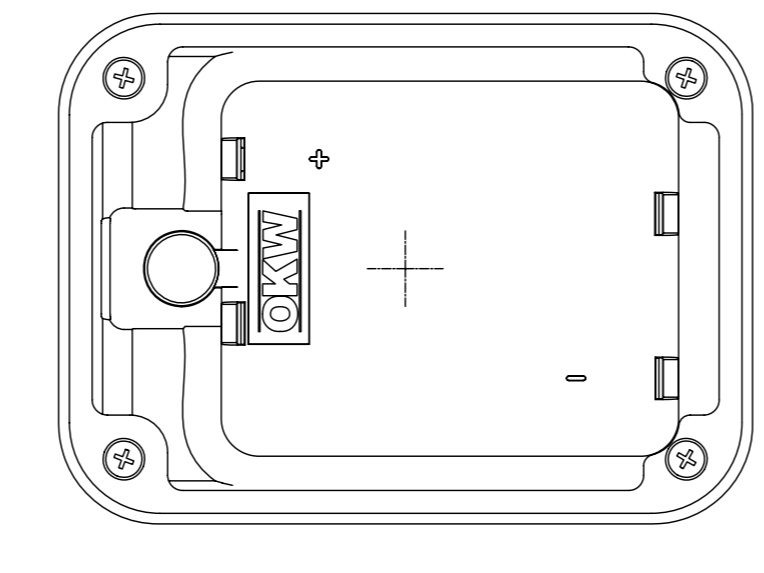
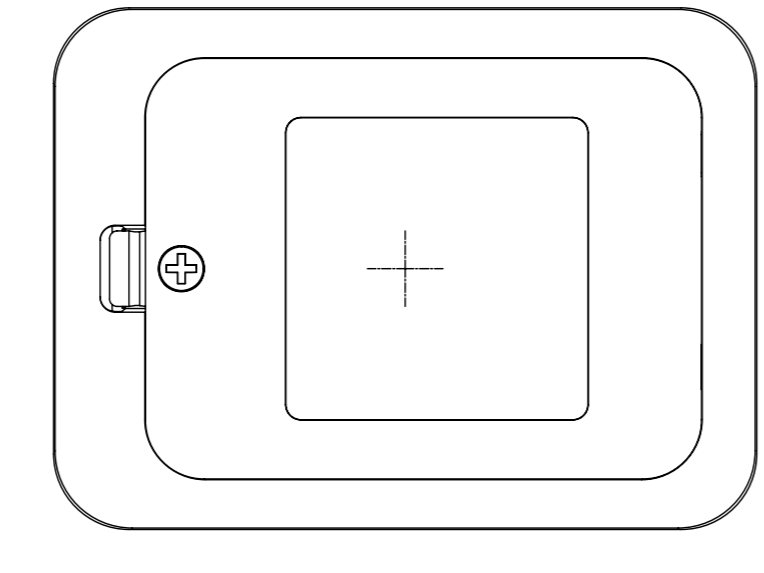
View "X"



5xAA Battery Compartment



3xAA Battery Compartment



Section B-B

Informationskopie wird nicht aktualisiert	Copy for Information will not be updated	Doc. nr.: 28.01.00	Material:	Toleranzen:	
Ersteller: BSH	Projektor: BSH	Rev. Nr.: 1	Farbe:	Zielfunktion:	
Datum: 28.01.00					The document contains proprietary information of OKW Gehäuse-Systeme GmbH. This is reserved property of the supplier. For the customer to be used in confidence and for manufacture or repair and not for use or reproduction in any product. Subject to technical modification without prior notice. Typographical and other errors do not justify any claim for damages. All dimensions should be verified using an actual model part. Sous réserve de modifications techniques. Toute erreur ou faute d'impression ne justifie aucune demande d'indemnisation. Nous prions les clients de vérifier les dimensions des composants avec les modèles éventuels.
<b>OKW</b> <b>GEHÄUSE</b> <b>SYSTEME</b>		<b>UNITEC M</b> <b>All Versions</b> <b>B4056XXX</b>		DIN 61612 Blattzahl: Blatt:	0001198