

## PCM CODEC

### FEATURES

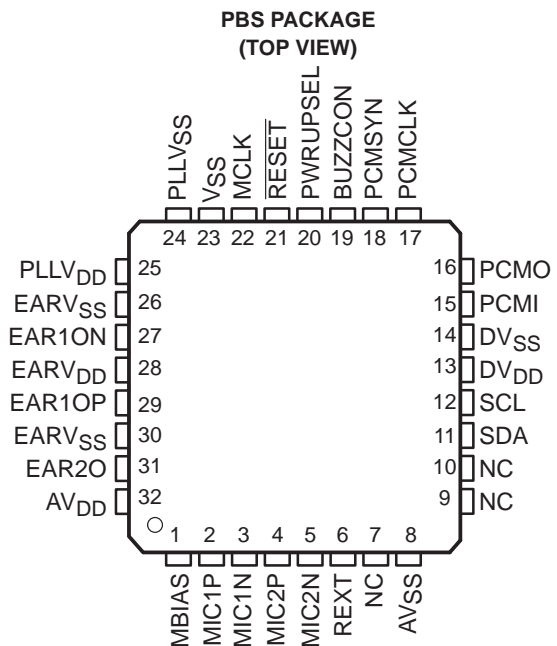
- 2.7-V Operation
- Two Differential Microphone Inputs, One Differential Earphone Output, and One Single-Ended Earphone Output
- Programmable Gain Amplifiers for Transmit, Receive, Sidetone, and Volume Control
- Earphone Mute and Microphone Mute
- On-Chip I<sup>2</sup>C-Bus, Which Provides a Simple, Standard, Two-Wire Serial Interface With Digital ICs
- Programmable for 15-Bit Linear Data or 8-Bit Companded (μ-Law or A-Law) Mode
- 32-Terminal TQFP Package
- Designed for Analog and Digital Wireless Handsets and Telecommunications Applications
- Dual-Tone Multifrequency (DTMF)
- Pulse Density Modulated (PDM) Buzzer Output

### APPLICATIONS

- Digital Handset
- Digital Headset
- Cordless Phones
- Digital PABX
- Digital Voice Recording

### DESCRIPTION

The PCM codec is designed to perform the transmit encoding analog/digital (A/D) conversion and receive decoding digital/analog (D/A) conversion, together with transmit and receive filtering, for voice-band communications systems. The device operates in either the 15-bit linear or 8-bit companded (μ-law or A-Law) mode, which is selectable through the I<sup>2</sup>C interface. From a 2.048-MHz master clock input, the PCM codec generates its own internal clocks.



NC – No internal connection

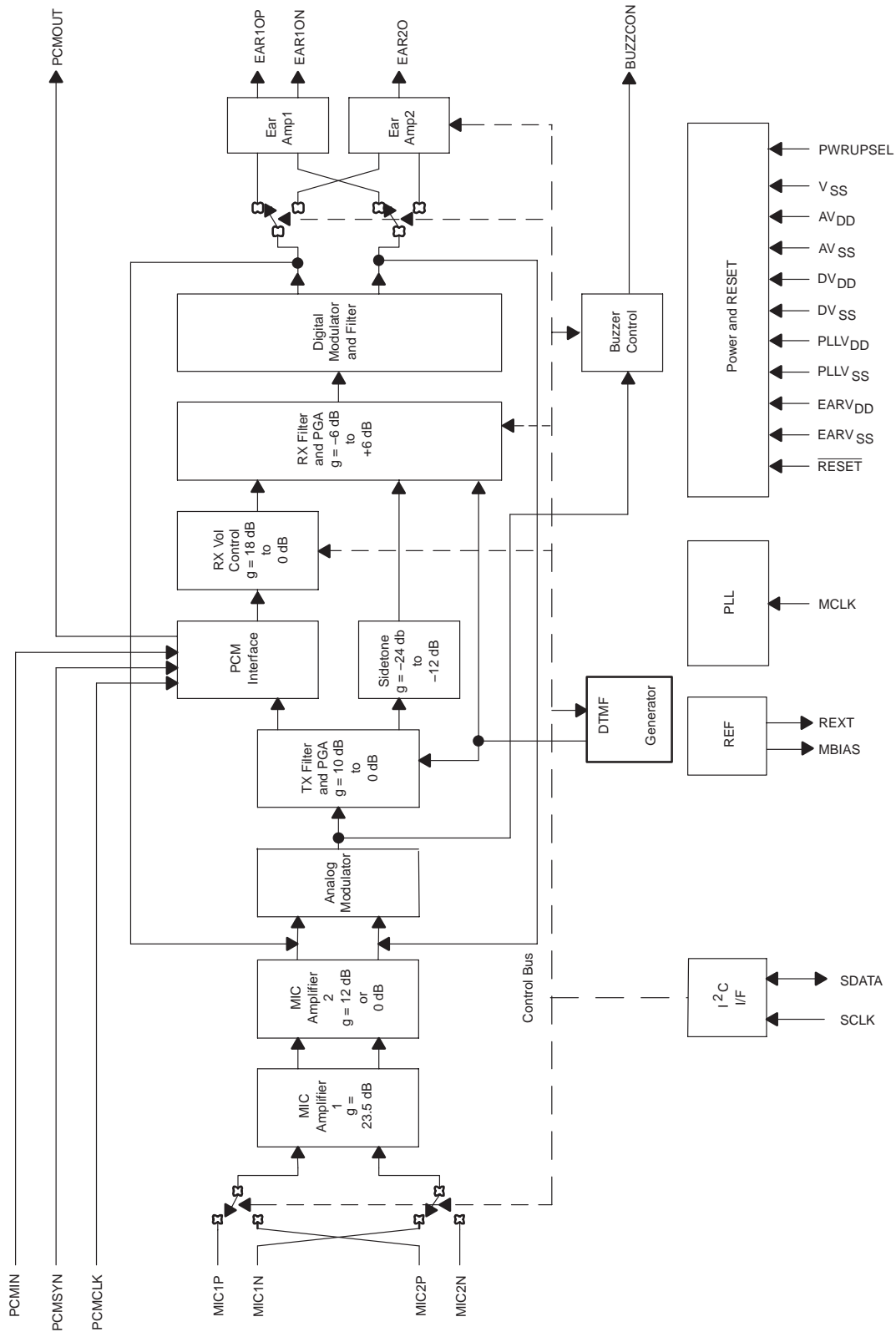


This device contains circuits to protect its inputs and outputs against damage due to high static voltages or electrostatic fields. These circuits have been qualified to protect this device against electrostatic discharges (ESD) of up to 2 kV according to MIL-STD-883C, Method 3015; however, it is advised that precautions be taken to avoid application of any voltage higher than maximum-rated voltages to these high-impedance circuits. During storage or handling, the device leads should be shorted together or the device should be placed in conductive foam. In a circuit, unused inputs should always be connected to an appropriated logic voltage level, preferably either V<sub>CC</sub> or ground. Specific guidelines for handling devices of this type are contained in the publication *Guidelines for Handling Electrostatic-Discharge-Sensitive (ESDS) Devices and Assemblies* available from Texas Instruments.



Please be aware that an important notice concerning availability, standard warranty, and use in critical applications of Texas Instruments semiconductor products and disclaimers thereto appears at the end of this data sheet.

functional block diagram



## functional description

### power-on/reset

The power for the various digital and analog circuits is separated to improve the noise performance of the device. An external reset must be applied to the active low/RESET terminal to assure reset upon power on and to bring the device to an operational state. After the initial power-on sequence the TLV320AIC1109 can be functionally powered up and down by writing to the power control register through the I<sup>2</sup>C interface. The device has a pin selectable power-up in the default mode option. The hardwired pin-selectable PWRUPSEL function allows the PCM codec to power up in the default mode and to be used without a microcontroller.

### reference

A precision band gap reference voltage is generated internally and supplies all required voltage references to operate the transmit and receive channels. The reference system also supplies bias voltage for use with an electret microphone at terminal MBIAS. An external precision resistor is required for reference current setting at terminal REXT.

### control interface

The I<sup>2</sup>C interface is a two-wire bidirectional serial interface. The I<sup>2</sup>C interface controls the PCM codec by writing data to six control registers: 1) power control, 2) mode control, 3) transmit PGA and sidetone control, 4) receive PGA gain and volume control, 5) DTMF routing, and 6) tone selection control.

There are two power-up modes which may be selected at the PWRUPSEL terminal: 1) the PWRUPSEL state ( $V_{DD}$  at terminal 20) causes the device to power-up in the default mode when power is applied. Without an I<sup>2</sup>C interface or controlling device, the programmable functions will be fixed at the default gain levels and functions, such as the sidetone and DTF, will not be accessible. 2) The PWRUPSEL state (ground at terminal 20) causes the device to go to a power-down state when power is applied. In this mode an I<sup>2</sup>C interface is required to power up the device.

### phase-locked loop

The internal digital filters and modulators require a 10.24-MHz clock that is generated by phase locking to the 2.048-MHz master clock input.

### PCM interface

The PCM interface transmits and receives data at the PCMO and PCMI terminals respectively. The data is transmitted or received at the PCMCLK speed once every PCMSYN cycle. The PCMCLK may be tied directly to the 2.048-MHz master clock (MCLK). The PCMSYN can be driven by an external source or derived from the master clock and used as an interrupt to the host controller.

### microphone amplifiers

The microphone input is a switchable interface for two differential microphone inputs. The first stage is a low noise differential amplifier that provides a gain of 23.5 dB. The second stage amplifier has a selectable gain of 0 dB or 12 dB.

### analog modulator

The transmit channel modulator is a third-order sigma-delta design.

### transmit filter and PGA

The transmit filter is a digital filter designed to meet CCITT G.714 requirements. The device operates in either the 15-bit linear or 8-bit companded  $\mu$ -law or A-law mode that is selectable through the I<sup>2</sup>C interface. The transmit PGA defaults to 0 dB.

## functional description (continued)

### sidetone

A portion of the transmitted audio is attenuated and fed back to the receive channel through the sidetone path. The sidetone path defaults to the mute condition. The default gain of -12 dB is set in the sidetone control register. The sidetone path can be enabled by writing to the power control register.

### receive volume control

The receive volume control block acts as an attenuator with a range of -18 dB to 0 dB in 2 dB steps for control of the receive channel volume. The receive volume control gain defaults to 0 dB.

### receive filter and PGA

The receive filter is a digital filter that meets CCITT G.714 requirements with a high-pass filter that is selectable through the I<sup>2</sup>C interface. The device operates in either the 15-bit linear or 8-bit  $\mu$ -law or A-law companded mode, which is selectable through the I<sup>2</sup>C interface. The gain defaults to -1 dB representing a 3 dBm<sub>0</sub> level for a 32  $\Omega$  to 110  $\Omega$  load impedance and the corresponding digital full scale PCMI code of -4 dB.

### digital modulator and filter

The second-order digital modulator and filter convert the received digital PCM data to the analog output required by the earphone interface.

### earphone amplifiers

The analog signal can be routed to either of two earphone amplifiers, one with differential output (EAR1ON and EAR1OP) and one with single-ended output (EAR2O). Clicks and pops are suppressed for EAR1 differential output only.

### tone generator

The tone generator provides generation of standard DTMF tones which are output to one of the following: 1) the buzzer driver, as a pulse density modulation (PDM) signal, or 2) the receive path digital/analog converter (D/A), for outputting through the earphone or as PCMO data. The integer value is loaded into one of two 8-bit registers, the high tone register [04] or the low tone register {05}. The tone output is 2 dB higher when applied to the high tone register {04}. The high DTMF tones must be applied to the high tone register, and the low DTMF tones to the low tone register.

## Terminal Functions

TERMINAL		I/O	DESCRIPTION
NAME	NO. TQFP		
AV <sub>DD</sub>	32	I	Analog positive power supply
AV <sub>SS</sub>	8	I	Analog negative power supply
BUZZCON	19	O	Buzzer output, a pulse-density modulated signal to apply to external buzzer driver
DV <sub>DD</sub>	13	I	Digital positive power supply
DV <sub>SS</sub>	14	I	Digital negative power supply
EAR1ON	27	O	Earphone 1 amplifier output (-)
EAR1OP	29	O	Earphone 1 amplifier output (+)
EAR2O	31	O	Earphone 2 amplifier output
EARV <sub>DD</sub>	28	I	Analog positive power supply for the earphone amplifiers
EARV <sub>SS</sub>	30, 26	I	Analog negative power supply for the earphone amplifiers
MBIAS	1	O	Microphone bias supply output, no decoupling capacitors
MCLK	22	I	Master system clock input (2.048 MHz) (digital)
MIC1P	2	I	MIC1 input (+)
MIC1N	3	I	MIC1 input (-)
MIC2P	4	I	MIC2 input (+)
MIC2N	5	I	MIC2 input (-)
PCMI	15	I	Receive PCM input
PCMO	16	O	Transmit PCM output
PCMSYN	18	I	PCM frame sync
PCMCLK	17	I	PCM data clock
PLL <sub>VSS</sub>	24	I	PLL negative power supply
PLL <sub>VDD</sub>	25	I	PLL digital power supply
PWRUPSEL	20	I	Selects the power-up default mode
REXT	6	I/O	Internal reference current setting terminal. This terminal uses a precision 100-kΩ resistor and no filtering capacitors.
$\overline{\text{RESET}}$	21	I	Active low reset
SCL	12	I	I <sup>2</sup> C-bus serial clock. This input is used to synchronize the data transfer from and to the PCM codec.
SDA	11	I/O	I <sup>2</sup> C-bus serial address/data input/output. This is a bidirectional terminal used to transfer register control addresses and data into and out of the codec. It is an open-drain terminal and therefore requires a pullup resistor to V <sub>DD</sub> (typical 10 kΩ for 100 kHz).
V <sub>SS</sub>	23	I	Ground return for bandgap internal reference

## absolute maximum ratings over operating free-air temperature range (unless otherwise noted)†

Supply voltage range	–0.5 V to 4 V
Output voltage range	–0.5 V to 4 V
Input voltage range	–0.5 V to 4 V
Continuous total power dissipation	See Dissipation Rating Table
Operating free air temperature range (industrial temperature)	–40°C to 85°C
Storage temperature range, testing	–65°C to 150°C
Lead temperature 1,6 mm from case for 10 seconds	260°C

† Stresses beyond those listed under “absolute maximum ratings” may cause permanent damage to the device. These are stress ratings only, and functional operation of the device at these or any other conditions beyond those indicated under “recommended operating conditions” is not implied. Exposure to absolute-maximum-rated conditions for extended periods may affect device reliability.

DISSIPATION RATING TABLE

PACKAGE	T <sub>A</sub> ≤ 25°C POWER RATING	DERATING FACTOR ABOVE T <sub>A</sub> = 25°C	T <sub>A</sub> = 85°C POWER RATING
PBS	702 mW	7.2 mW/°C	270 mW

recommended operating conditions (see Notes 1 and 2)

	MIN	NOM	MAX	UNIT
Supply voltage, AV <sub>DD</sub> , DV <sub>DD</sub> , PLLV <sub>DD</sub> , EARV <sub>DD</sub>	2.7		3.3	V
High-level input voltage (V <sub>IHMIN</sub> )	0.7 × V <sub>DD</sub>			V
Low-level input voltage (V <sub>ILMAX</sub> )			0.3 × V <sub>DD</sub>	V
Load impedance between EAR1OP and EAR1ON-R <sub>L</sub>		32 to 110		Ω
Load impedance for EAR2OP-R <sub>L</sub>		32		Ω
Operating free-air temperature, T <sub>A</sub>	-40		85	°C

- NOTES: 1. To avoid possible damage and resulting reliability problems to these CMOS devices, the *power-on initialization* paragraph should be followed, described in the *Principles of Operations*.  
 2. Voltages are with respect to AV<sub>SS</sub>, DV<sub>SS</sub>, PLLV<sub>SS</sub> and EARV<sub>SS</sub>.

electrical characteristics over recommended ranges of supply voltage and free air temperature (unless otherwise noted)

supply current

PARAMETER	TEST CONDITIONS	MIN	TYP	MAX	UNIT
I <sub>DD</sub> Supply current from V <sub>DD</sub>	Operating, EAR1 selected, MicBias disabled		6	8	mA
	Operating, EAR2 selected, MicBias disabled		5.4	7	mA
	Power down, Reg 2 bit 7 = 1, MCLK not present (see Note 3)		0.5	35	μA
	Power down, Reg 2 bit 7 = 0, MCLK not present (see Note 3)		25	75	μA
t <sub>on(i)</sub> Power-up time from power down			5	10	ms

NOTE 3: Measured while MIC1P and MIC1N are connected together. Less than 5 mV offset results in 0 value code on PCMOUT.

digital interface

PARAMETER	TEST CONDITIONS	MIN	TYP	MAX	UNIT
V <sub>OH</sub> High-level output voltage PCMO (BUZZCON)	I <sub>OH</sub> = -3.2 mA, V <sub>DD</sub> = 3 V	DV <sub>DD</sub> = -0.25			V
V <sub>OL</sub> Low-level output voltage PCMO	I <sub>OL</sub> = 3.2 mA, V <sub>DD</sub> = 3 V			0.25	V
I <sub>IH</sub> High-level input current, any digital input	V <sub>I</sub> = V <sub>DD</sub>			10	μA
I <sub>IL</sub> Low-level input current, any digital input	V <sub>I</sub> = V <sub>SS</sub>			10	μA
C <sub>I</sub> Input capacitance				10	pF
C <sub>O</sub> Output capacitance				20	pF
R <sub>L</sub> Load impedance (BUZZCON)				5	kΩ

electrical characteristics over recommended ranges of supply voltage and free air temperature (unless otherwise noted) (continued)

#### microphone interface

PARAMETER		TEST CONDITIONS	MIN	TYP	MAX	UNIT
$V_{IO}$	Input offset voltage at MIC1N, MIC2N	See Note 3	-5		5	mV
$I_{IB}$	Input bias current at MIC1N, MIC2N		-250		250	nA
$C_i$	Input capacitance at MIC1N, MIC2N			5		pF
$V_n$	Microphone input referred noise, psophometric weighted, (C-message weighted is similar)	Micamp 1 gain = 23.5 dB Micamp 2 gain = 0 dB		3	7.7	$\mu$ V <sub>rms</sub>
$I_{Omax}$	Output source current – MBIAS		1		1.2	mA
$V_{(mbias)}$	Microphone bias supply voltage (see Note 4)		2.4	2.5	2.55	V
	MICMUTE		-80			dB
	Input impedance	Fully differential	35	60	100	k $\Omega$

NOTES: 3. Measured while MIC1P and MIC1N are connected together. Less than 5-mV offset results in 0 value code on PCMOUT.

4. Not a JEDEC symbol

#### speaker interface

PARAMETER		TEST CONDITIONS	MIN	TYP	MAX	UNIT
Earphone AMP1 output power (See Note 5)		Fully differential, 110- $\Omega$ load, 3-dBm0 output, RGXPA = -4 dB		23.4	31.2	mW
		$V_{DD}$ = 2.7 V, fully differential, 32- $\Omega$ load, 3-dBm0 output, RGXPA = -4 dB		80.5	107.3	mW
Earphone AMP2 output power (See Note 5)		$V_{DD}$ = 2.7 V, single ended, 32- $\Omega$ load, 3-dBm0 output		10	12.5	mW
$V_{OO}$	Output offset voltage at EAR1	Fully differential		$\pm$ 5	$\pm$ 30	mV
$I_{Omax}$	Maximum output current for EAR1(rms)	3-dBm0 input, 110- $\Omega$ load		14.6	19.4	mA
		3-dBm0 input, 32- $\Omega$ load		50.2	66.9	
	Maximum output current for EAR2 (rms)	3-dBm0 input		17.7	22.1	
EARMUTE			-80			dB

NOTE 5: Maximum power is with a load impedance of -25%.

transmit gain and dynamic range, companded mode ( $\mu$ -law or A-law) or linear mode selected, transmit slope filter bypassed (see Notes 6 and 7)

PARAMETER	TEST CONDITIONS	MIN	TYP	MAX	UNIT
Transmit reference-signal level (0dB)	Differential			175	mV <sub>pp</sub>
Overload-signal level (3 dBm0)	Differential, normal mode			248	mV <sub>pp</sub>
	Differential, extended mode			63	
Absolute gain error	0 dBm0 input signal, $V_{DD} \pm 10\%$	-1		1	dB
Gain error with input level relative to gain at -10 dBm0 MIC1N, MIC1P to PCMO	MIC1N, MIC1P to PCMO at 3 dBm0 to -30 dBm0	-0.5		0.5	dB
	MIC1N, MIC1P to PCMO at -31 dBm0 to -45 dBm0	-1		1	
	MIC1N, MIC1P to PCMO at -46 dBm0 to -55 dBm0	-1.2		1.2	

NOTES: 6. Unless otherwise noted, the analog input is 0 dB, 1020-Hz sine wave, where 0 dB is defined as the zero-reference point of the channel under test.

7. The reference signal level, which is input to the transmit channel, is defined as a value 3 dB below the full-scale value of 88-mV<sub>rms</sub>.

electrical characteristics over recommended ranges of supply voltage and free air temperature (unless otherwise noted) (continued)

transmit gain and dynamic range, companded mode ( $\mu$ -law or A-law) or linear mode selected, transmit slope filter enabled (see Notes 6 and 7)

PARAMETER	TEST CONDITIONS	MIN	TYP	MAX	UNIT
Transmit reference-signal level (0dB)	Differential			175	mV <sub>pp</sub>
Overload-signal level (3 dBm0)	Differential, normal mode			248	mV <sub>pp</sub>
	Differential, extended mode			63	
Absolute gain error	0 dBm0 input signal, V <sub>DD</sub> $\pm$ 10 %	-1		1	dB
Gain error with input level relative to gain at -10 dBm0 MIC1N, MIC1P to PCMO	MIC1N, MIC1P to PCMO at 3 dBm0 to -30 dBm0	-0.5		0.5	dB
	MIC1N, MIC1P to PCMO at -31 dBm0 to -45 dBm0	-1		1	
	MIC1N, MIC1P to PCMO at -46 dBm0 to -55 dBm0	-1.2		1.2	

NOTES: 6. Unless otherwise noted, the analog input is 0 dB, 1020-Hz sine wave, where 0 dB is defined as the zero-reference point of the channel under test.

7. The reference signal level, which is input to the transmit channel, is defined as a value 3 dB below the full-scale value of 88-mV<sub>rms</sub>.

transmit filter transfer, companded mode ( $\mu$ -law or A-law) or linear mode selected, transmit slope filter bypassed, external high-pass filter bypassed (MCLK = 2.048 MHz)

PARAMETER	TEST CONDITIONS	MIN	TYP	MAX	UNIT
Gain relative to input signal gain at 1020 Hz, internal high-pass filter disabled.	f <sub>MIC1</sub> or f <sub>MIC2</sub> <100 Hz	-0.5		0.5	dB
	f <sub>MIC1</sub> or f <sub>MIC2</sub> = 200 Hz	-0.5		0.5	
	f <sub>MIC1</sub> or f <sub>MIC2</sub> = 300 Hz to 3 kHz	-0.5		0.5	
	f <sub>MIC1</sub> or f <sub>MIC2</sub> = 3.4 kHz	-1.5		0	
	f <sub>MIC1</sub> or f <sub>MIC2</sub> = 4 kHz			-14	
	f <sub>MIC1</sub> or f <sub>MIC2</sub> = 4.6 kHz			-35	
	f <sub>MIC1</sub> or f <sub>MIC2</sub> = 8 k Hz			-47	
Gain relative to input signal gain at 1020 Hz, internal high-pass filter enabled.	f <sub>MIC1</sub> or f <sub>MIC2</sub> <100 Hz			-15	dB
	f <sub>MIC1</sub> or f <sub>MIC2</sub> = 200 Hz			-5	



electrical characteristics over recommended ranges of supply voltage and free air temperature (unless otherwise noted) (continued)

transmit filter transfer, companded mode ( $\mu$ -law or A-law) or linear mode selected, transmit slope filter selected, transmit high-pass filter disabled (MCLK = 2.048 MHz) (see Note 8)

PARAMETER	TEST CONDITIONS	MIN	TYP	MAX	UNIT	
Gain relative to input signal gain at 1.2 kHz, with slope filter selected	$f_{MIC1}$ or $f_{MIC2}$ = 100 Hz			-27	dB	
	$f_{MIC1}$ or $f_{MIC2}$ = 200 Hz			-8	dB	
	$f_{MIC1}$ or $f_{MIC2}$ = 250 Hz			-4	dB	
	$f_{MIC1}$ or $f_{MIC2}$ = 300 Hz		-1.8		dB	
	$f_{MIC1}$ or $f_{MIC2}$ = 400 Hz		-1.5		dB	
	$f_{MIC1}$ or $f_{MIC2}$ = 500 Hz		-1.3		dB	
	$f_{MIC1}$ or $f_{MIC2}$ = 600 Hz		-1.1		dB	
	$f_{MIC1}$ or $f_{MIC2}$ = 700 Hz		-0.8		dB	
	$f_{MIC1}$ or $f_{MIC2}$ = 800 Hz		-0.57		dB	
	$f_{MIC1}$ or $f_{MIC2}$ = 900 Hz		-0.25		dB	
	$f_{MIC1}$ or $f_{MIC2}$ = 1000 Hz		0		dB	
	$f_{MIC1}$ or $f_{MIC2}$ = 1500 Hz		1.8		dB	
	$f_{MIC1}$ or $f_{MIC2}$ = 2000 Hz		4		dB	
	$f_{MIC1}$ or $f_{MIC2}$ = 2500 Hz		6.5		dB	
	$f_{MIC1}$ or $f_{MIC2}$ = 3000 Hz		7.6		dB	
	$f_{MIC1}$ or $f_{MIC2}$ = 3100 Hz		7.7		dB	
	$f_{MIC1}$ or $f_{MIC2}$ = 3300 Hz		8		dB	
	$f_{MIC1}$ or $f_{MIC2}$ = 3500 Hz		6.48		dB	
	$f_{MIC1}$ or $f_{MIC2}$ = 4000 Hz				-13	dB
	$f_{MIC1}$ or $f_{MIC2}$ = 4500 Hz				-35	dB
$f_{MIC1}$ or $f_{MIC2}$ = 5000 Hz				-45	dB	
$f_{MIC1}$ or $f_{MIC2}$ = 8000 Hz				-50	dB	

NOTE 8: The pass-band tolerance is  $\pm 0.25$  dB from 300 Hz to 3500 Hz.

transmit idle channel noise and distortion, companded mode ( $\mu$ -law or A-law) selected, slope filter bypassed

PARAMETER	TEST CONDITIONS	MIN	TYP	MAX	UNIT
Transmit idle channel noise, psophometrically weighted	TXPGA gain= 0 dB, micamp 1 gain = 23.5 dB, micamp 2 gain = 0 dB		-86.6	-78	dBm <sub>0p</sub>
Transmit signal-to-distortion ratio with 1020-Hz sine-wave input	MIC1N, MIC1P to PCMO at 3 dBm0	27			dBm0
	MIC1N, MIC1P to PCMO at 0 dBm0	30			
	MIC1N, MIC1P to PCMO at -5 dBm0	33			
	MIC1N, MIC1P to PCMO at -10 dBm0	36			
	MIC1N, MIC1P to PCMO at -20 dBm0	35			
	MIC1N, MIC1P to PCMO at -30 dBm0	26			
	MIC1N, MIC1P to PCMO at -40 dBm0	24			
Intermodulation distortion, 2-tone CCITT method, composite power level, -13 dBm0	CCITT G.712 (7.1), R2	49			dB
	CCITT G.712 (7.2), R2	51			

electrical characteristics over recommended ranges of supply voltage and free air temperature (unless otherwise noted) (continued)

**transmit idle channel noise and distortion, companded mode ( $\mu$ -law or A-law) selected, slope filter enabled**

PARAMETER	TEST CONDITIONS	MIN	TYP	MAX	UNIT
Transmit idle channel noise, psophometrically weighted	TXPGA gain = 0 dB, micamp 1 gain = 23.5 dB, micamp 2 gain = 0.0 dB		-86.6	-78	dBm <sub>0p</sub>
Transmit signal-to-total distortion ratio with 1020-Hz sine-wave input	MIC1N, MIC1P to PCMO at 3 dBm0		27		dBm0
	MIC1N, MIC1P to PCMO at 0 dBm0		30		
	MIC1N, MIC1P to PCMO at -5 dBm0		33		
	MIC1N, MIC1P to PCMO at -10 dBm0		36		
	MIC1N, MIC1P to PCMO at -20 dBm0		35		
	MIC1N, MIC1P to PCMO at -30 dBm0		26		
	MIC1N, MIC1P to PCMO at -40 dBm0		24		
	MIC1N, MIC1P to PCMO at -45 dBm0		19		
Intermodulation distortion, 2-tone CCITT method, composite power level, -13 dBm0	CCITT G.712 (7.1), R2		49		dB
	CCITT G.712 (7.2), R2		51		

**transmit idle channel noise and distortion, linear mode selected, slope filter bypassed**

PARAMETER	TEST CONDITIONS	MIN	TYP	MAX	UNIT
Transmit idle channel noise	TXPGA gain = 0 dB, micamp 1 gain = 23.5 dB, micamp 2 gain = 0.0 dB		-86.6	-78	dBm <sub>0p</sub>
Transmit signal-to-total distortion ratio with 1020-Hz sine-wave input	MIC1N, MIC1P to PCMO at 3 dBm0		50	50	dB
	MIC1N, MIC1P to PCMO at 0 dBm0		50	65	
	MIC1N, MIC1P to PCMO at -5 dBm0		60	68	
	MIC1N, MIC1P to PCMO at -10 dBm0		64	70	
	MIC1N, MIC1P to PCMO at -20 dBm0		58	65	
	MIC1N, MIC1P to PCMO at -30 dBm0		50	60	
	MIC1N, MIC1P to PCMO at -40 dBm0		38	50	
	MIC1N, MIC1P to PCMO at -45 dBm0		30	45	

**transmit idle channel noise and distortion, linear mode selected, slope filter enabled**

PARAMETER	TEST CONDITIONS	MIN	TYP	MAX	UNIT
Transmit idle channel noise	TXPGA gain = 0 dB, micamp 1 gain = 23.5 dB, micamp 2 gain = 0 dB		-86.6	-78	dBm <sub>0p</sub>
Transmit signal-to-total distortion ratio with 1020-Hz sine-wave input	MIC1N, MIC1P to PCMO at 3 dBm0		40	50	dB
	MIC1N, MIC1P to PCMO at 0 dBm0		50	65	
	MIC1N, MIC1P to PCMO at -5 dBm0		50	68	
	MIC1N, MIC1P to PCMO at -10 dBm0		64	70	
	MIC1N, MIC1P to PCMO at -20 dBm0		58	65	
	MIC1N, MIC1P to PCMO at -30 dBm0		50	60	
	MIC1N, MIC1P to PCMO at -40 dBm0		38	50	
	MIC1N, MIC1P to PCMO at -45 dBm0		30	45	

electrical characteristics over recommended ranges of supply voltage and free air temperature (unless otherwise noted) (continued)

receive gain and dynamic range, EAR1 selected, linear or companded ( $\mu$ -law or A-law) mode selected (see Note 9)

PARAMETER	TEST CONDITIONS	MIN	TYP	MAX	UNIT
Overload-signal level (3.0 dB)	110 $\Omega$ load RXPGA = -4 dB		4.54		$V_{pp}$
	32 $\Omega$ load RXPGA = -4 dB		4.54		
Absolute gain error	0 dBm0 input signal, $V_{DD} \pm 10\%$	-1		1	dB
Gain error with output level relative to gain at -10 dBm0	PCMIN to EAR1ON, EAR1OP at 3 dBm0 to -40 dBm0	-0.5		0.5	dB
	PCMIN to EAR1ON, EAR1OP at -41 dBm0 to -50 dBm0	-1		1	
	PCMIN to EAR1ON, EAR1OP at -51 dBm0 to -55 dBm0	-1.2		1.2	

NOTE 9: RXPGA = -4 dB for 32  $\Omega$  or 110  $\Omega$ , RXVOL = 0 dB, 1020 Hz input signal at PCMI, output measured differentially between EAR1ON and EAR1OP

receive gain and dynamic range, EAR2 selected, linear or companded ( $\mu$ -law or A-law) mode selected (see Note 10)

PARAMETER	TEST CONDITIONS	MIN	TYP	MAX	UNIT
Receive reference-signal level (0 dB)	0 dBm0 PCM input signal		1.1		$V_{pp}$
Overload-signal level (3 dB)			1.6		$V_{pp}$
Absolute gain error	0 dBm0 input signal, $V_{DD} \pm 10\%$	-1		1	dB
Gain error with output level relative to gain at -10 dBm0	PCMIN to EAR2O at 3 dBm0 to -40 dBm0	-0.5		0.5	dB
	PCMIN to EAR2O at -41 dBm0 to -50 dBm0	-1		1	
	PCMIN to EAR2O at -51 dBm0 to -55 dBm0	-1.2		1.2	

NOTE 10: RXPGA = -1 dB, RXVOL = 0 dB

receive filter transfer, companded mode ( $\mu$ -law or A-law) or linear mode selected (MCLK = 2.048 MHz) (see Note 10)

PARAMETER	TEST CONDITIONS	MIN	TYP	MAX	UNIT
Gain relative to input signal gain at 1020 Hz, internal high-pass filter disabled	$f_{EAR1}$ or $f_{EAR2} < 100$ Hz	-0.5		0.5	dB
	$f_{EAR1}$ or $f_{EAR2} = 200$ Hz	-0.5		0.5	
	$f_{EAR1}$ or $f_{EAR2} = 300$ Hz to 3 kHz	-0.5		0.5	
	$f_{EAR1}$ or $f_{EAR2} = 3.4$ kHz	-1.5		0	
	$f_{EAR1}$ or $f_{EAR2} = 4$ kHz			-14	
	$f_{EAR1}$ or $f_{EAR2} = 4.6$ kHz			-35	
	$f_{EAR1}$ or $f_{EAR2} = 8$ kHz			-47	
Gain relative to input signal gain at 1020 Hz, internal high-pass filter enabled	$f_{EAR1}$ or $f_{EAR2} < 100$ Hz			-15	dB
	$f_{EAR1}$ or $f_{EAR2} = 200$ Hz			-5	

NOTE 10. RXPGA = -1 dB, RXVOL = 0 dB

electrical characteristics over recommended ranges of supply voltage and free air temperature (unless otherwise noted) (continued)

receive idle channel noise and distortion, EAR1 selected, companded mode ( $\mu$ -law or A-law) selected (see Note 9)

PARAMETER	TEST CONDITIONS	MIN	TYP	MAX	UNIT
Receive noise, psophometrically weighted	PCMIN = 11010101 (A-law)		-89	-86	dBm <sub>0p</sub>
Receive noise, C-message weighted	PCMIN = 11111111 ( $\mu$ -law)		36	50	$\mu$ V <sub>rms</sub>
Receive signal-to-distortion ratio with 1020-Hz sine-wave input	PCMIN to EAR1ON, EAR1OP at 3 dBm0	21			dB
	PCMIN to EAR1ON, EAR1OP at 0 dBm0	25			
	PCMIN to EAR1ON, EAR1OP at -5 dBm0	36			
	PCMIN to EAR1ON, EAR1OP at -10 dBm0	43			
	PCMIN to EAR1ON, EAR1OP at -20 dBm0	40			
	PCMIN to EAR1ON, EAR1OP at -30 dBm0	38			
	PCMIN to EAR1ON, EAR1OP at -40 dBm0	28			
	PCMIN to EAR1ON, EAR1OP at -45 dBm0	23			

NOTE 9: RXPGA = -4 dB for 32  $\Omega$  or 110  $\Omega$ , RXVOL = 0 dB, 1020-Hz input signal at PCMI, output measured differentially between EAR1ON and EAR1OP.

receive idle channel noise and distortion, EAR1 selected, linear mode selected (see Note 9)

PARAMETER	TEST CONDITIONS	MIN	TYP	MAX	UNIT
Receive noise, (20-Hz to 20-kHz brickwall window)	PCMIN = 000000000000		-86	-83	dBm0
Receive signal-to-distortion ratio with 1020 Hz sine-wave input	PCMIN to EAR1ON, EAR1OP at 3 dBm0	50	63		dB
	PCMIN to EAR1ON, EAR1OP at 0 dBm0	53	65		
	PCMIN to EAR1ON, EAR1OP at -5 dBm0	53	63		
	PCMIN to EAR1ON, EAR1OP at -10 dBm0	50	60		
	PCMIN to EAR1ON, EAR1OP at -20 dBm0	48	58		
	PCMIN to EAR1ON, EAR1OP at -30 dBm0	46	56		
	PCMIN to EAR1ON, EAR1OP at -40 dBm0	36	52		
Intermodulation distortion, 2-tone CCITT method, composite power level, -13 dBm0	CCITT G.712 (7.1), R2	50			dB
	CCITT G.712 (7.2), R2	54			

NOTE 9: RXPGA = -4 dB for 32  $\Omega$  or 110  $\Omega$ , RXVOL = 0 dB, 1020-Hz input signal at PCMI, output measured differentially between EAR1ON and EAR1OP.

receive idle channel noise and distortion EAR2 selected, companded mode ( $\mu$ -law or A-law) selected (see Note 10)

PARAMETER	TEST CONDITIONS	MIN	TYP	MAX	UNIT
Receive noise, psophometrically weighted	PCMIN = 11010101 (A-law)		-81	-78	dBm <sub>0p</sub>
Receive noise, C-message weighted	PCMIN = 11111111 ( $\mu$ -law)		36	50	$\mu$ V <sub>rms</sub>
Receive signal-to-distortion ratio with 1020-Hz sine-wave input	PCMIN to EAR2O at 3 dBm0	21			dB
	PCMIN to EAR2O at 0 dBm0	25			
	PCMIN to EAR2O at -5 dBm0	36			
	PCMIN to EAR2O at -10 dBm0	43			
	PCMIN to EAR2O at -20 dBm0	40			
	PCMIN to EAR2O at -30 dBm0	38			
	PCMIN to EAR2O at -40 dBm0	28			
	PCMIN to EAR2O at -45 dBm0	23			

NOTE 10. RXPGA = -1 dB, RXVOL = 0 dB

electrical characteristics over recommended ranges of supply voltage and free air temperature (unless otherwise noted) (continued)

receive idle channel noise and distortion, EAR2 selected, linear mode selected (see Note 10)

PARAMETER	TEST CONDITIONS	MIN	TYP	MAX	UNIT
Receive noise, (20-Hz to 20-kHz brickwall window)	PCMIN = 000000000000		-86	-83	dBm0
Receive signal-to-noise + distortion ratio with 1020-Hz sine-wave input	PCMIN to EAR2O at 3 dBm0	45	60		dB
	PCMIN to EAR2O at 0 dBm0	60	65		
	PCMIN to EAR2O at -5 dBm0	58	62		
	PCMIN to EAR2O at -10 dBm0	55	60		
	PCMIN to EAR2O at -20 dBm0	53	60		
	PCMIN to EAR2O at -30 dBm0	52	58		
	PCMIN to EAR2O at -40 dBm0	50	57		
Intermodulation distortion, 2-tone CCITT method, composite power level, -13 dBm0	CCITT G.712 (7.1), R2	50			dB
	CCITT G.712 (7.2), R2	54			

NOTE 10: RXPGA = -1 dB, RXVOL = 0 dB

power supply rejection and crosstalk attenuation

PARAMETER	TEST CONDITIONS	MIN	TYP	MAX	UNIT
Supply voltage rejection, transmit channel	MIC1N, MIC1P = 0 V, $V_{DD} = 3 V_{dc} + 100 \text{ mV}_{\text{peak to peak}}$ , $f = 0$ to 50 kHz		-70	-45	dB
Supply voltage rejection, receive channel, EAR1 selected (differential)	PCM code = positive zero, $V_{DD} = 3 V_{dc} + 100 \text{ mV}_{\text{peak to peak}}$ , $f = 0$ to 50 kHz		-70	-45	dB
Crosstalk attenuation, transmit-to-receive (differential)	MIC1N, MIC1P = 0 dB, $f = 300$ to 3400 Hz measured differentially between EAR1ON and EAR1OP	70			dB
Crosstalk attenuation, receive-to-transmit	PCMIN = 0 dBm0, $f = 300$ to 3400 Hz measured at PCMO, EAR1 amplifier	70			dB

switching characteristics

clock timing requirements

PARAMETER	MIN	NOM	MAX	UNIT
$t_t$ Transition time, MCLK			10	ns
$f_{\text{mclk}}$ MCLK frequency		2.048		MHz
MCLK jitter			37%	
Number of PCMCLK clock cycles per PCMSYN frame	256		256	
$t_c(\text{PCMCLK})$ PCMCLK clock period	156	488	512	ns
Duty cycle, PCMCLK	45%	50%	68%	

transmit timing requirements (see Figure 5)

PARAMETER	MIN	MAX	UNIT
$t_{\text{su}}(\text{PCMSYN})$ Setup time, PCMSYN high before falling edge of PCMCLK	20	$t_c(\text{PCMCLK}) - 20$	ns
$t_{\text{h}}(\text{PCMSYN})$ Hold time, PCMSYN high after falling edge of PCMCLK	20	$t_c(\text{PCMCLK}) - 20$	

**switching characteristics (continued)**

**receive timing requirements (see Figure 6)**

PARAMETER		MIN	MAX	UNIT
t <sub>su</sub> (PCSYN)	Setup time, PCMSYN high before falling edge of PCMCLK	20	t <sub>c</sub> (PCMCLK)–20	ns
t <sub>h</sub> (PCSYN)	Hold time, PCMSYN high after falling edge of PCMCLK	20	t <sub>c</sub> (PCMCLK)–20	ns
t <sub>su</sub> (PCMI)	Setup time, PCMI high or low before falling edge of PCMCLK	20		ns
t <sub>h</sub> (PCMI)	Hold time, PCMI high or low after falling edge of PCMCLK	20		ns

**propagation delay times, C<sub>L(max)</sub> = 10 pF (see Figure 5)**

PARAMETER		MIN	MAX	UNIT
t <sub>pd1</sub>	From PCMCLK bit 1 high to PCMO bit 1 valid		35	ns
t <sub>pd2</sub>	From PCMCLK high to PCMO valid, bit 2 to n		35	ns
t <sub>pd3</sub>	From PCMCLK bit n low to PCMO bit n Hi-Z	30		ns

**I<sup>2</sup>C bus timing requirements (see Figure 7)**

PARAMETER		MIN	MAX	UNIT
SCL	Clock frequency		400	kHz
t <sub>HIGH</sub>	Clock high time	600		ns
t <sub>LOW</sub>	Clock low time	1300		ns
t <sub>r</sub>	SDA and SCL rise time		300	ns
t <sub>f</sub>	SDA and SCL fall time		300	ns
t <sub>h</sub> (STA)	Hold time (repeated) START condition. After this period the first clock pulse is generated.	600		ns
t <sub>su</sub> (STA)	Setup time for repeated START condition	600		ns
t <sub>h</sub> (DAT)	Data input hold time	0		ns
t <sub>su</sub> (DAT)	Data input setup time	100		ns
t <sub>su</sub> (STO)	STOP condition setup time	600		ns
t <sub>BUF</sub>	Bus free time	1300		ns

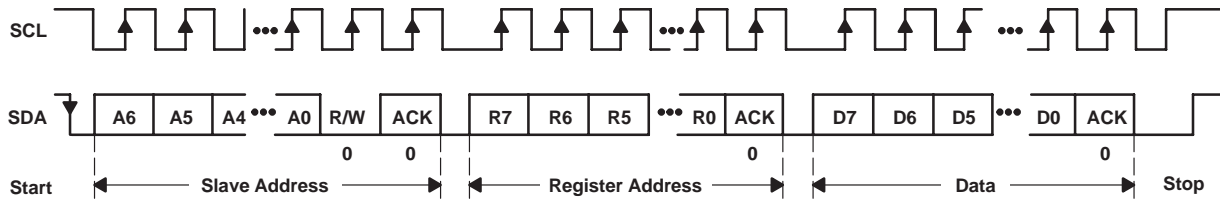
**DTMF generator characteristics**

PARAMETER	TEST CONDITIONS	MIN	TYP	MAX	UNIT
DTMF high to low tone relative amplitude (preemphasis)		1.5	2	2.5	dB
Tone frequency accuracy		–1.5		1.5	%
Harmonic distortion	Measured from lower tone group to highest parasitic			–20	dB

**MICBIAS characteristics**

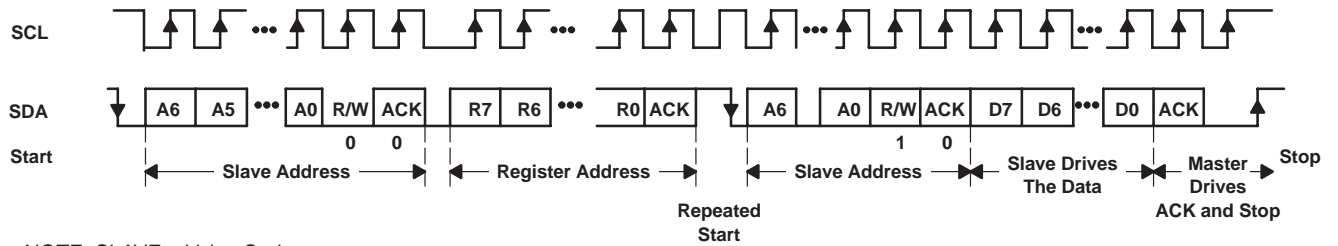
PARAMETER	TEST CONDITIONS	MIN	TYP	MAX	UNIT
Load impedance (bias mode)			5		kΩ

PARAMETER MEASUREMENT INFORMATION



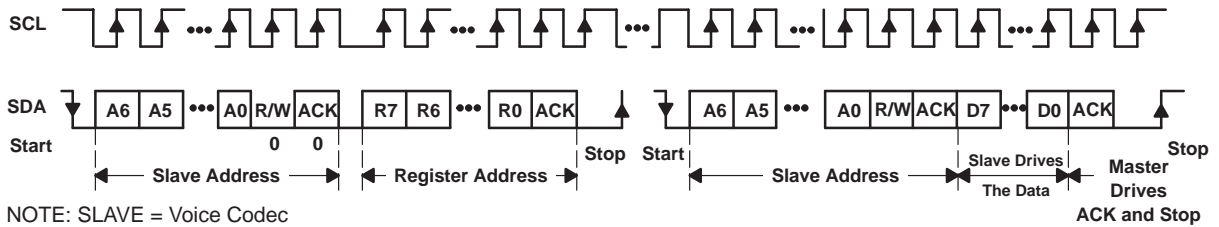
NOTE: SLAVE = Voice Codec

Figure 1. I<sup>2</sup>C-Bus Write to Voice Codec



NOTE: SLAVE = Voice Codec

Figure 2. I<sup>2</sup>C Read From Voice Codec: Protocol A



NOTE: SLAVE = Voice Codec

Figure 3. I<sup>2</sup>C Read From Voice Codec: Protocol B

**PRINCIPLES OF OPERATION**

**power-on initialization**

An external reset with a minimum pulse width of 500 ns must be applied to the active low  $\overline{\text{RESET}}$  terminal to assure reset upon power on. All registers are set with default values upon external reset initialization.

The desired selection for all programmable functions can be initialized prior to a power-up command using the I<sup>2</sup>C interface.

**Table 1. Power-Up and Power-Down Procedures (V<sub>DD</sub> = 2.7 V, Earphone Amplifier Unloaded)**

DEVICE STATUS	PROCEDURE	MAXIMUM POWER CONSUMPTION
Power up	Set bit 1 = 1 in power control register, EAR1 enabled	16.2 mW
	Set bit 1 = 0 in power control register, EAR2 enabled	14.6 mW
Power down	Set bit 7 = 1 in TXPGA control register and bit 0 = 0	1.35 μW
	Set bit 7 = 0 in TXPGA control register and bit 0 = 0	67.5 μW

In addition to resetting the power-down bit in the power control register, loss of MCLK (no transition detected) automatically enters the device into a power-down state with PCMO in the high impedance state. If during a pulse code modulation (PCM) data transmit cycle an asynchronous power down occurs, the PCM interface remains powered up until the PCM data is completely transferred.

An additional power-down mode overrides the MCLK detection function. This allows the device to enter the power-down state without regard to MCLK. Setting bit 7 of the TXPGA sidetone register to logic high enables this function.

**conversion laws**

The device can be programmed either for a 15-bit linear or 8-bit (μ-law or A-law) companding mode. The companding operation approximates the CCITT G.711 recommendation. The linear mode operation uses a 15-bit twos-complement format.

**transmit operation**

**microphone input**

The microphone input stage is a low noise differential amplifier that provides a preamplifier gain of 23.5 dB. A microphone can be capacitively connected to the MIC1N and MIC1P inputs, while the MIC2N and MIC2P inputs can be used to capacitively connect a second microphone or an auxiliary audio circuit.



PRINCIPLES OF OPERATION

transmit operation (continued)

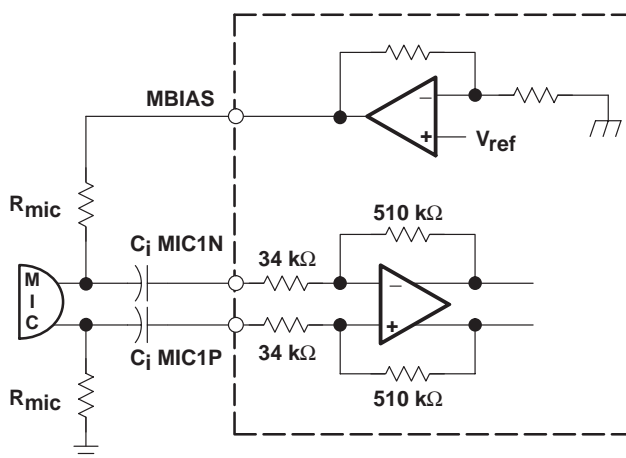


Figure 4. Typical Microphone Interface

microphone mute function

Transmit channel muting provides 80-dB attenuation of input microphone signal. The MICMUTE function can be selected by setting bit 6 of the power control register through the I<sup>2</sup>C interface.

transmit channel gain control

The values in the transmit PGA control registers control the gain in the transmit path. The total TX channel gain can vary from 35.5 dB to 13.5 dB. The default total TX channel gain is 23.5 dB.

Table 2. Transmit Gain Control

BIT NAME				MIC AMP1	MIC AMP2	TX PGA	GAIN MODE	TOTAL TX GAIN			
TP3	TP2	TP1	TP0	GAIN	GAIN	GAIN		MIN	TYP	MAX	UNIT
0	0	0	0	23.5	12	0	Extended	35.3	35.5	35.7	dB
0	0	0	1	23.5	12	-2	Extended	33.3	33.5	33.7	dB
0	0	1	0	23.5	12	-4	Extended	31.3	31.5	31.7	dB
0	0	1	1	23.5	12	-6	Extended	29.3	29.5	29.7	dB
0	1	0	0	23.5	12	-8	Extended	27.3	27.5	27.7	dB
0	1	0	1	23.5	12	-10	Extended	25.3	25.5	25.7	dB
1	0	0	0	23.5	0	0	Normal	23.3	23.5	23.7	dB
1	0	0	1	23.5	0	-2	Normal	21.3	21.5	21.7	dB
1	0	1	0	23.5	0	-4	Normal	19.3	19.5	19.7	dB
1	0	1	1	23.5	0	-6	Normal	17.3	17.5	17.7	dB
1	1	0	0	23.5	0	-8	Normal	15.3	17.5	17.7	dB
1	1	0	1	23.5	0	-10	Normal	13.3	13.5	13.7	dB

**PRINCIPLES OF OPERATION**

**receive operation**

**receive channel gain control**

The values in the receive PGA control registers control the gain in the receive path. PGA gain is set from –6 dB to 6 dB in 1 dB steps through the I<sup>2</sup>C interface. The default receive channel gain is –1 dB.

**Table 3. Receive PGA Gain Control**

BIT NAME				RELATIVE GAIN			
RP3	RP2	RP1	RP0	MIN	TYP	MAX	UNIT
0	0	0	0	5.8	6	6.2	dB
0	0	0	1	4.8	5	5.2	dB
0	0	1	0	3.8	4	4.2	dB
0	0	1	1	2.8	3	3.2	dB
0	1	0	0	1.8	2	2.2	dB
0	1	0	1	0.8	1	1.2	dB
0	1	1	0	-0.2	0	0.2	dB
0	1	1	1	-1.2	-1	-0.8	dB
1	0	0	0	-2.2	-2	-1.8	dB
1	0	0	1	-3.2	-3	-2.8	dB
1	0	1	0	-4.2	-4	-3.8	dB
1	0	1	1	-5.2	-5	-4.8	dB
1	1	0	0	-6.2	-6	-5.8	dB

**sidetone gain control**

The values in the sidetone PGA control registers control the sidetone gain. Sidetone gain is set from –12 dB to –24 dB in 2-dB steps through the I<sup>2</sup>C interface. Sidetone can be muted by setting bit 7 of the power control register. The default sidetone gain is –12 dB.

**Table 4. Sidetone Gain Control**

BIT NAME			RELATIVE GAIN			
ST2	ST1	ST0	MIN	TYP	MAX	UNIT
0	0	0	-12.2	-12	-11.8	dB
0	0	1	-14.2	-14	-13.8	dB
0	1	0	-16.2	-16	-15.8	dB
0	1	1	-18.2	-18	-17.8	dB
1	0	0	-20.2	-20	-19.8	dB
1	0	1	-22.2	-22	-21.8	dB
1	1	0	-24.2	-24	-23.8	dB

---

**PRINCIPLES OF OPERATION**
**receive operation (continued)****receive volume control**

The values in the volume control PGA control registers provide volume control into the earphone. Volume control gain is set from 0 dB to –18 dB in 2-dB steps through the I<sup>2</sup>C interface. The default RX volume control gain is 0 dB.

**Table 5. RX Volume Control**

BIT NAME				RELATIVE GAIN			
RV3	RV2	RV1	RV0	MIN	TYP	MAX	UNIT
0	0	0	0	–0.2	0	0.2	dB
0	0	0	1	–2.2	–2	–1.8	dB
0	0	1	0	–4.2	–4	–3.8	dB
0	0	1	1	–6.2	–6	–5.8	dB
0	1	0	0	–8.2	–8	–7.8	dB
0	1	0	1	–10.2	–10	–9.8	dB
0	1	1	0	–12.2	–12	–11.8	dB
0	1	1	1	–14.2	–14	–13.8	dB
1	0	0	0	–16.2	–16	–15.8	dB
1	0	0	1	–18.2	–18	–17.8	dB

**earphone amplifier**

The analog signal can be routed to either one of two earphone amplifiers: one with a differential output (EAR1ON and EAR1OP) capable of driving a 32-Ω load, or one with a single-ended output (EAR2O) capable of driving a 32-Ω load.

**earphone mute function**

Muting can be selected by setting bit 3 of the power control register through the I<sup>2</sup>C interface.

**receive PCM data format**

- Companded mode: 8 bits are received, the most significant (MSB) first.
- Linear mode: 15 bits are received, MSB first.

PRINCIPLES OF OPERATION

receive operation (continued)

Table 6. Receive-Data Bit Definitions

BIT NO.	COMPANDED MODE	LINEAR MODE
1	CD7	LD14
2	CD6	LD13
3	CD5	LD12
4	CD4	LD11
5	CD3	LD10
6	CD2	LD9
7	CD1	LD8
8	CD0	LD7
9	–	LD6
10	–	LD5
11	–	LD4
12	–	LD3
13	–	LD2
14	–	LD1
15	–	LD0
16	–	--

Transmit channel gain control bits always follow the PCM data in time:

CD7–CD0 = data word in companded mode

LD14–LD0 = data word in linear mode

DTMF generator operation and interface

The dual-tone multifrequency generator (DTMF) circuit generates the summed DTMF tones for push button dialing and provides the PDM output for the BUZZCON user-alert tone. The integer value is determined by the following formula, round tone [Freq (Hz)/7.8125 (Hz)]. The integer value is loaded into either one of two 8-bit registers, high-tone register (04) or low-tone register (05). The tone output is 2 dB higher when applied to the high-tone register (04). When generating DTMF tones, the high-frequency value must be applied to the high-tone register (04) and the low DTMF value to the low-tone register.

Table 7. Typical DTMF and Single Tone Control

DT7	DT6	DT5	DT4	DT3	DT2	DT1	DT0	INTEGER VALUE	STONE FUNCTION	TONE/Hz
0	1	0	1	1	0	0	1	89	DTMF Low	697
0	1	1	0	0	0	1	1	99	DTMF Low	770
0	1	1	0	1	1	0	1	109	DTMF Low	852
0	1	1	1	1	0	0	0	120	DTMF Low	941
1	0	0	1	1	0	1	1	155	DTMF High	1209
1	0	1	0	1	0	1	1	171	DTMF High	1336
1	0	1	1	1	1	0	1	189	DTMF High	1477
1	1	0	1	0	0	0	1	209	DTMF High	1633

## PRINCIPLES OF OPERATION

### DTMF generator operation and interface (continued)

Tones from the DTMF generator block are present at all outputs and are controlled by enabling or disabling the individual output ports. The values that determine the tone frequency are loaded into the tone registers (high and low) as two separate values.

The values loaded into the tone registers initiate an iterative table look-up function, placing a 6-bit or 7-bit in 2s complement value into the the tone registers. There is a 2 dB difference in the resulting output of the two registers, the high tone register having the greater result.

### buzzer logic section

The single-ended output BUZZCON is a PDM signal intended to drive a buzzer through an external driver transistor. The PDM begins as a selected DTMF tones, generated and passed through the receive D/A channel, and fed back to the transmit channel analog modulator, where a PDM signal is generated and routed to the BUZZCON output.

### support section

The clock generator and control circuit use the master clock input (MCLK) to generate internal clocks to drive internal counters, filters, and convertors. Register control data is written into and read back from the PCM codec registers via the control interface.

### I<sup>2</sup>C–bus protocols

The PCM codec serial interface is designed to be I<sup>2</sup>C-bus compatible and operates in the slave mode. This interface consists of the following terminals:

- SCL: I<sup>2</sup>C-bus serial clock — This input synchronizes the control data transfer from and to the codec.
- SDA: I<sup>2</sup>C-bus serial address/data input/output — This is a bidirectional terminal that transfers register control addresses and data into and out of the codec. It is an open drain terminal and therefore requires a pullup resistor to V<sub>CC</sub> (typical 10 kΩ for 100 kHz).

TLV320AIC1109 has a fixed device select address of {E2}HEX for write mode and {E3}HEX for read mode.

For normal data transfer, SDA is allowed to change only when SCL is low. Changes when SCL is high are reserved for indicating the start and stop conditions.

Data transfer may be initiated only when the bus is not busy. During data transfer, the data line must remain stable whenever the clock line is at high. Changes in the data line while the clock line is at high are interpreted as a start or stop condition.

**Table 8. I<sup>2</sup>C-Bus Conditions**

CONDITION	STATUS	DESCRIPTION
A	Bus not busy	Both data and clock lines remain at high
B	Start data transfer	A high-to-low transition of the SDA line while the clock (SCL) is high determines a start condition. All commands must proceed from a start condition.
C	Stop data transfer	A low-to-high transition of the SDA line while the clock (SCL) is high determines a stop condition. All operations must end with a stop condition.
D	Data valid	The state of the data line represents valid data when, after a start condition, the data line is stable for the duration of the high period of the clock signal.

**PRINCIPLES OF OPERATION**

**I<sup>2</sup>C bus protocols**

The data on the line must be changed during the low period of the clock signal. There is one clock pulse per bit of data.

Each data transfer is initiated with a start condition and terminated with a stop condition. The number of data bytes, transferred between the start and stop conditions, is determined by the master device (microprocessor).

When addressed, the PCM codec generates an acknowledge after the reception of each byte. The master device must generate an extra clock pulse that is associated with this acknowledge bit.

The PCM codec must pull down the SDA line during the acknowledge clock pulse so that the SDA line is at stable low state during the high period of the acknowledge related clock pulse. Setup and hold times must be taken into account. During read operations, the master device must signal an end of data to the slave by not generating an acknowledge bit on the last byte that was clocked out of the slave. In this case, the slave (PCM codec) must leave the data line high to enable the master device to generate the stop condition.

**clock frequencies and sample rates**

A fixed PCMSYN rate of 8 kHz determines the sampling rate.

**register map addressing**

	REG	07	06	05	04	03	02	01	00
Power control	00	Sidetone En	TXEn	RXEn	MICSEL	BIASEn	RXEn	EAROUT Sel	PWRUP
Mode control	01	Comp Sel	TMEEn	PCMLB	Comp En	BUZZEn	RXFLTR En	TXFLTR En	TXSLOPE En
TXPGA	02	PD0	TP3	TP2	TP1	TP0	ST2	ST1	ST0
RXPGA	03	RP3	RP2	RP1	RP0	RV3	RV2	RV1	RV0
High DTMF	04	HIFREQ Sel7	HIFREQ Sel6	HIFREQ Sel5	HIFREQ Sel4	HIFREQ Sel3	HIFREQ Sel2	HIFREQ Sel1	HIFREQ Sel0
Low DTMF	05	LOFREQ Sel7	LOFREQ Sel6	LOFREQ Sel5	LOFREQ Sel4	LOFREQ Sel3	LOFREQ Sel2	LOFREQ Sel1	LOFREQ Sel0

**register power-up defaults**

	REG	07	06	05	04	03	02	01	00
Power control <sup>†</sup>	00	1	1	1	1	0	1	1	0
Power control <sup>‡</sup>	00	1	0	0	1	1	0	1	1
Mode control	01	0	0	0	0	0	0	1	0
TXPGA	02	0	1	0	0	0	0	0	0
RXPGA	03	0	1	1	1	0	0	0	0
High DTMF	04	0	0	0	0	0	0	0	0
Low DTMF	05	0	0	0	0	0	0	0	0

<sup>†</sup> Value when PWRUPSEL = 0

<sup>‡</sup> Value when PWRUPSEL = 1

---

**PRINCIPLES OF OPERATION**
**register map****Table 9. Power Control Register: Address {00} HEX**

BIT NUMBER								DEFINITIONS
7	6	5	4	3	2	1	0	
1	1	1	1	0	1	1	0	Default setting PWRUPSEL = 0
1	0	0	1	1	0	1	1	Default setting PWRUPSEL = 1
X	X	X	X	X	X	X	0	Reference system, power-down
X	X	X	X	X	X	X	1	Reference system, power-up
X	X	X	X	X	X	1	X	EAR AMP1 selected, EAR AMP2 power down
X	X	X	X	X	X	0	X	EAR AMP2 selected, EAR AMP1 power down
X	X	X	X	X	0	X	X	Receive channel enabled
X	X	0	X	X	1	X	X	Receive channel muted
X	X	1	X	X	1	X	0	Receive channel, power down
X	X	X	1	X	X	X	X	MIC1 selected
X	X	X	0	X	X	X	X	MIC2 selected
X	0	X	X	X	X	X	X	Transmit channel enabled
X	1	0	X	X	X	X	X	Transmit channel muted
X	1	1	X	X	X	X	X	Transmit channel power down
0	X	X	X	X	X	X	X	Sidetone enabled
1	X	X	X	X	X	X	X	Sidetone muted

**Table 10. Mode Control Register: Address {01} HEX**

BIT NUMBER								DEFINITIONS
7	6	5	4	3	2	1	0	
0	0	0	0	0	0	1	0	Default setting
X	X	X	X	X	X	0	0	TX channel high-pass filter enabled and slope filter enabled
X	X	X	X	X	X	0	1	TX channel high-pass filter enabled and slope filter disabled
X	X	X	X	X	X	1	0	TX channel high-pass filter disabled and slope filter enabled
X	X	X	X	X	X	1	1	TX channel high-pass filter disabled and slope filter disabled
X	X	X	X	X	0	X	X	RX channel high-pass filter disabled (low pass only)
X	X	X	X	X	1	X	X	RX channel high-pass filter enabled
X	X	X	X	0	X	X	X	BUZZCON disabled
X	X	X	X	1	X	X	X	BUZZCON enabled
X	X	X	0	X	X	X	X	Linear mode selected
1	X	X	1	X	X	X	X	A-law companding mode selected
0	X	X	1	X	X	X	X	$\mu$ -law companding mode selected
X	X	0	X	X	X	X	X	TX and RX channels normal mode
X	X	1	X	X	X	X	X	PCM loopback mode
X	0	X	X	X	X	X	X	Tone mode disabled
X	1	X	X	X	X	X	X	Tone mode enabled

**PRINCIPLES OF OPERATION**

**register map (continued)**

Transmit PGA and sidetone control register: Address {02}HEX

Bit definitions :

7	6	5	4	3	2	1	0	DEFINITION
PDO	TP3	TP2	TP1	TP0	ST2	ST1	ST0	See Table 2 and Table 4
0	1	0	0	0	0	0	0	Default setting

Receive volume control register: Address {03}HEX

Bit definitions :

7	6	5	4	3	2	1	0	DEFINITION
RP3	RP2	RP1	RP0	RV3	RV2	RV1	RV0	See Table 3 and Table 5
0	1	1	1	0	0	0	0	Default setting

High tone selection control register: Address {04}HEX

Bit definitions :

7	6	5	4	3	2	1	0	DEFINITION
X	X	X	X	X	X	X	X	DTMF (see Table 7)
0	0	0	0	0	0	0	0	Default setting

Low tone selection control register: Address {05}HEX

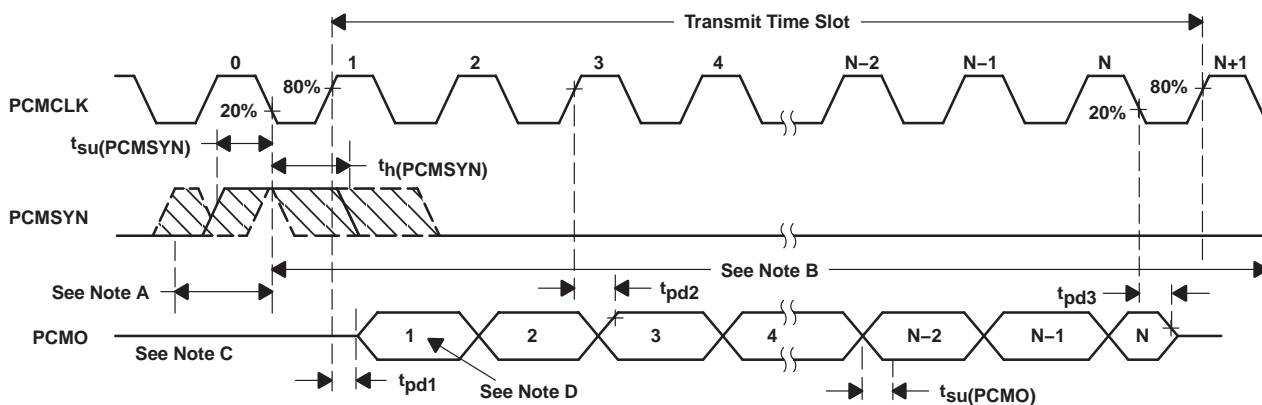
Bit definitions :

7	6	5	4	3	2	1	0	DEFINITION
X	X	X	X	X	X	X	X	DTMF (see Table 7)
0	0	0	0	0	0	0	0	Default setting



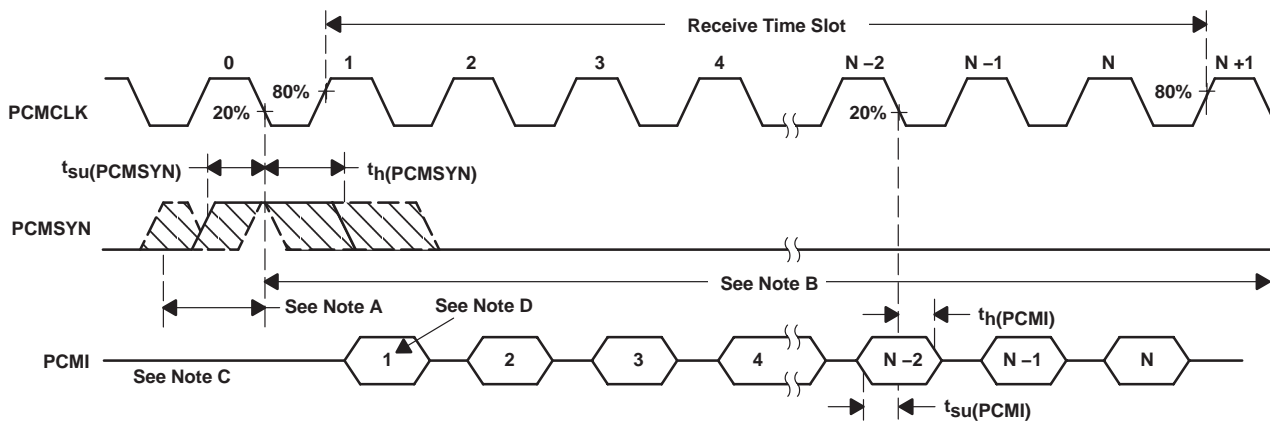
PRINCIPLES OF OPERATION

register map (continued)



- NOTES: A. This window is allowed for PCMSYN high.  
 B. This window is allowed for PCMSYN low ( $t_h(PCMSYN)$  max determined by data collision considerations).  
 C. Transitions are measured at 50%.  
 D. Bit 1 = MSB, Bit N = LSB

Figure 5. Transmit Timing Diagram



- NOTES: A. This window is allowed for PCMSYN high.  
 B. This window is allowed for PCMSYN low.  
 C. Transitions are measured at 50%.  
 D. Bit 1 = MSB, Bit N = LSB

Figure 6. Receive Timing Diagram

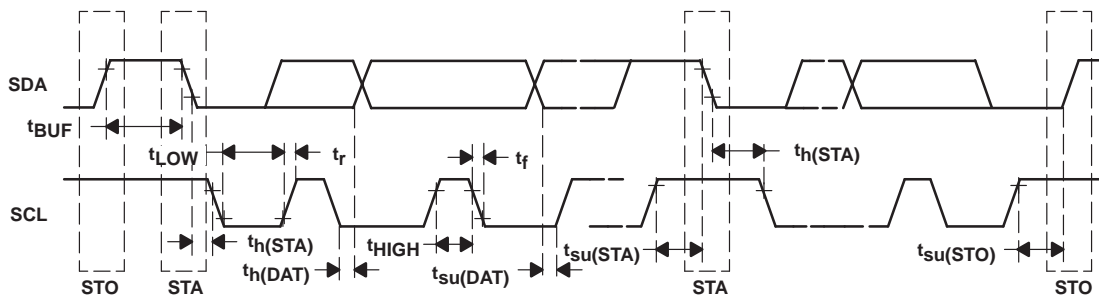
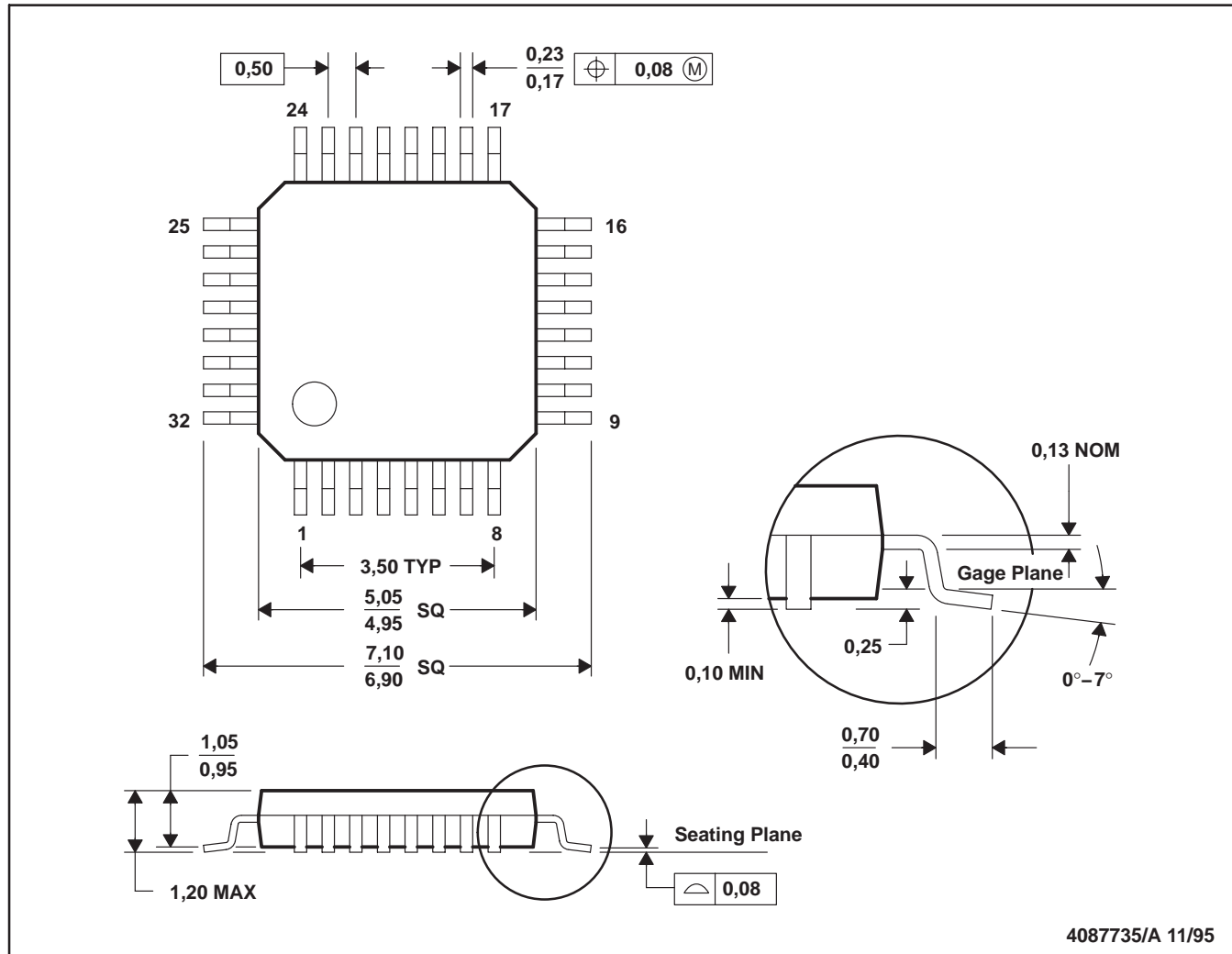


Figure 7. I<sup>2</sup>C-Bus Timing Diagram

MECHANICAL DATA

PBS (S-PQFP-G32)

PLASTIC QUAD FLATPACK



4087735/A 11/95

NOTES: A. All linear dimensions are in millimeters.  
 B. This drawing is subject to change without notice.

**PACKAGING INFORMATION**

Orderable Device	Status <sup>(1)</sup>	Package Type	Package Drawing	Pins	Package Qty	Eco Plan <sup>(2)</sup>	Lead/ Ball Finish	MSL Peak Temp <sup>(3)</sup>	Samples (Requires Login)
TLV320A1109PBSG4	NRND	TQFP	PBS	32	250	Green (RoHS & no Sb/Br)	CU NIPDAU	Level-3-260C-168 HR	
TLV320A1109PBSRG4	NRND	TQFP	PBS	32	1000	Green (RoHS & no Sb/Br)	CU NIPDAU	Level-3-260C-168 HR	
TLV320AIC1109PBS	NRND	TQFP	PBS	32	250	Green (RoHS & no Sb/Br)	CU NIPDAU	Level-3-260C-168 HR	
TLV320AIC1109PBSG4	NRND	TQFP	PBS	32	250	Green (RoHS & no Sb/Br)	CU NIPDAU	Level-3-260C-168 HR	
TLV320AIC1109PBSR	NRND	TQFP	PBS	32	1000	Green (RoHS & no Sb/Br)	CU NIPDAU	Level-3-260C-168 HR	

<sup>(1)</sup> The marketing status values are defined as follows:

**ACTIVE:** Product device recommended for new designs.

**LIFEBUY:** TI has announced that the device will be discontinued, and a lifetime-buy period is in effect.

**NRND:** Not recommended for new designs. Device is in production to support existing customers, but TI does not recommend using this part in a new design.

**PREVIEW:** Device has been announced but is not in production. Samples may or may not be available.

**OBSOLETE:** TI has discontinued the production of the device.

<sup>(2)</sup> Eco Plan - The planned eco-friendly classification: Pb-Free (RoHS), Pb-Free (RoHS Exempt), or Green (RoHS & no Sb/Br) - please check <http://www.ti.com/productcontent> for the latest availability information and additional product content details.

**TBD:** The Pb-Free/Green conversion plan has not been defined.

**Pb-Free (RoHS):** TI's terms "Lead-Free" or "Pb-Free" mean semiconductor products that are compatible with the current RoHS requirements for all 6 substances, including the requirement that lead not exceed 0.1% by weight in homogeneous materials. Where designed to be soldered at high temperatures, TI Pb-Free products are suitable for use in specified lead-free processes.

**Pb-Free (RoHS Exempt):** This component has a RoHS exemption for either 1) lead-based flip-chip solder bumps used between the die and package, or 2) lead-based die adhesive used between the die and leadframe. The component is otherwise considered Pb-Free (RoHS compatible) as defined above.

**Green (RoHS & no Sb/Br):** TI defines "Green" to mean Pb-Free (RoHS compatible), and free of Bromine (Br) and Antimony (Sb) based flame retardants (Br or Sb do not exceed 0.1% by weight in homogeneous material)

<sup>(3)</sup> MSL, Peak Temp. -- The Moisture Sensitivity Level rating according to the JEDEC industry standard classifications, and peak solder temperature.

**Important Information and Disclaimer:** The information provided on this page represents TI's knowledge and belief as of the date that it is provided. TI bases its knowledge and belief on information provided by third parties, and makes no representation or warranty as to the accuracy of such information. Efforts are underway to better integrate information from third parties. TI has taken and continues to take reasonable steps to provide representative and accurate information but may not have conducted destructive testing or chemical analysis on incoming materials and chemicals. TI and TI suppliers consider certain information to be proprietary, and thus CAS numbers and other limited information may not be available for release.

In no event shall TI's liability arising out of such information exceed the total purchase price of the TI part(s) at issue in this document sold by TI to Customer on an annual basis.



**TAPE AND REEL INFORMATION**

**QUADRANT ASSIGNMENTS FOR PIN 1 ORIENTATION IN TAPE**


\*All dimensions are nominal

Device	Package Type	Package Drawing	Pins	SPQ	Reel Diameter (mm)	Reel Width W1 (mm)	A0 (mm)	B0 (mm)	K0 (mm)	P1 (mm)	W (mm)	Pin1 Quadrant
TLV320AIC1109PBSR	TQFP	PBS	32	1000	330.0	16.4	7.2	7.2	1.5	12.0	16.0	Q2

**TAPE AND REEL BOX DIMENSIONS**



\*All dimensions are nominal

Device	Package Type	Package Drawing	Pins	SPQ	Length (mm)	Width (mm)	Height (mm)
TLV320AIC1109PBSR	TQFP	PBS	32	1000	346.0	346.0	33.0

## IMPORTANT NOTICE

Texas Instruments Incorporated and its subsidiaries (TI) reserve the right to make corrections, modifications, enhancements, improvements, and other changes to its products and services at any time and to discontinue any product or service without notice. Customers should obtain the latest relevant information before placing orders and should verify that such information is current and complete. All products are sold subject to TI's terms and conditions of sale supplied at the time of order acknowledgment.

TI warrants performance of its hardware products to the specifications applicable at the time of sale in accordance with TI's standard warranty. Testing and other quality control techniques are used to the extent TI deems necessary to support this warranty. Except where mandated by government requirements, testing of all parameters of each product is not necessarily performed.

TI assumes no liability for applications assistance or customer product design. Customers are responsible for their products and applications using TI components. To minimize the risks associated with customer products and applications, customers should provide adequate design and operating safeguards.

TI does not warrant or represent that any license, either express or implied, is granted under any TI patent right, copyright, mask work right, or other TI intellectual property right relating to any combination, machine, or process in which TI products or services are used. Information published by TI regarding third-party products or services does not constitute a license from TI to use such products or services or a warranty or endorsement thereof. Use of such information may require a license from a third party under the patents or other intellectual property of the third party, or a license from TI under the patents or other intellectual property of TI.

Reproduction of TI information in TI data books or data sheets is permissible only if reproduction is without alteration and is accompanied by all associated warranties, conditions, limitations, and notices. Reproduction of this information with alteration is an unfair and deceptive business practice. TI is not responsible or liable for such altered documentation. Information of third parties may be subject to additional restrictions.

Resale of TI products or services with statements different from or beyond the parameters stated by TI for that product or service voids all express and any implied warranties for the associated TI product or service and is an unfair and deceptive business practice. TI is not responsible or liable for any such statements.

TI products are not authorized for use in safety-critical applications (such as life support) where a failure of the TI product would reasonably be expected to cause severe personal injury or death, unless officers of the parties have executed an agreement specifically governing such use. Buyers represent that they have all necessary expertise in the safety and regulatory ramifications of their applications, and acknowledge and agree that they are solely responsible for all legal, regulatory and safety-related requirements concerning their products and any use of TI products in such safety-critical applications, notwithstanding any applications-related information or support that may be provided by TI. Further, Buyers must fully indemnify TI and its representatives against any damages arising out of the use of TI products in such safety-critical applications.

TI products are neither designed nor intended for use in military/aerospace applications or environments unless the TI products are specifically designated by TI as military-grade or "enhanced plastic." Only products designated by TI as military-grade meet military specifications. Buyers acknowledge and agree that any such use of TI products which TI has not designated as military-grade is solely at the Buyer's risk, and that they are solely responsible for compliance with all legal and regulatory requirements in connection with such use.

TI products are neither designed nor intended for use in automotive applications or environments unless the specific TI products are designated by TI as compliant with ISO/TS 16949 requirements. Buyers acknowledge and agree that, if they use any non-designated products in automotive applications, TI will not be responsible for any failure to meet such requirements.

Following are URLs where you can obtain information on other Texas Instruments products and application solutions:

### Products

Audio	<a href="http://www.ti.com/audio">www.ti.com/audio</a>
Amplifiers	<a href="http://amplifier.ti.com">amplifier.ti.com</a>
Data Converters	<a href="http://dataconverter.ti.com">dataconverter.ti.com</a>
DLP® Products	<a href="http://www.dlp.com">www.dlp.com</a>
DSP	<a href="http://dsp.ti.com">dsp.ti.com</a>
Clocks and Timers	<a href="http://www.ti.com/clocks">www.ti.com/clocks</a>
Interface	<a href="http://interface.ti.com">interface.ti.com</a>
Logic	<a href="http://logic.ti.com">logic.ti.com</a>
Power Mgmt	<a href="http://power.ti.com">power.ti.com</a>
Microcontrollers	<a href="http://microcontroller.ti.com">microcontroller.ti.com</a>
RFID	<a href="http://www.ti-rfid.com">www.ti-rfid.com</a>
RF/IF and ZigBee® Solutions	<a href="http://www.ti.com/lprf">www.ti.com/lprf</a>

### Applications

Communications and Telecom	<a href="http://www.ti.com/communications">www.ti.com/communications</a>
Computers and Peripherals	<a href="http://www.ti.com/computers">www.ti.com/computers</a>
Consumer Electronics	<a href="http://www.ti.com/consumer-apps">www.ti.com/consumer-apps</a>
Energy and Lighting	<a href="http://www.ti.com/energy">www.ti.com/energy</a>
Industrial	<a href="http://www.ti.com/industrial">www.ti.com/industrial</a>
Medical	<a href="http://www.ti.com/medical">www.ti.com/medical</a>
Security	<a href="http://www.ti.com/security">www.ti.com/security</a>
Space, Avionics and Defense	<a href="http://www.ti.com/space-avionics-defense">www.ti.com/space-avionics-defense</a>
Transportation and Automotive	<a href="http://www.ti.com/automotive">www.ti.com/automotive</a>
Video and Imaging	<a href="http://www.ti.com/video">www.ti.com/video</a>
Wireless	<a href="http://www.ti.com/wireless-apps">www.ti.com/wireless-apps</a>

TI E2E Community Home Page

[e2e.ti.com](http://e2e.ti.com)

Mailing Address: Texas Instruments, Post Office Box 655303, Dallas, Texas 75265  
Copyright © 2011, Texas Instruments Incorporated