

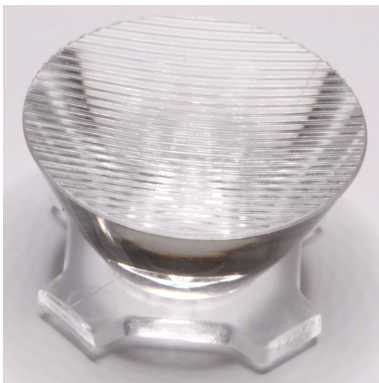
Ordering number CA11264
Description CA11264-Heidi-D-OSL

Family	Heidi	FWHM	7 degrees
Type	Lens	Efficiency	-
LED	Oslon SSL 80	cd/lm	-
Color	Transparent	Gerber File	Available
Diameter	21.6 mm		
Height	11.70 mm		
Style	Round		
Optic Material	PMMA		
Holder Material	-		
Fastening	Tape, pin		
Status	Ready		



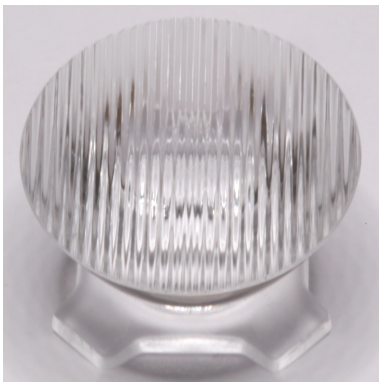
Ordering number CA11265
Description CA11265-Heidi-M-OSL

Family	Heidi	FWHM	28 degrees
Type	Lens	Efficiency	-
LED	Oslon SSL 80	cd/lm	-
Color	Transparent	Gerber File	Available
Diameter	21.6 mm		
Height	11.70 mm		
Style	Round		
Optic Material	PMMA		
Holder Material	-		
Fastening	Tape, pin		
Status	Ready		



Ordering number CA11266
Description CA11266-Heidi-O-OSL

Family	Heidi	FWHM	10+52 degrees
Type	Lens	Efficiency	-
LED	Oslon SSL 80	cd/lm	-
Color	Transparent	Gerber File	Available
Diameter	21.6 mm		
Height	11.70 mm		
Style	Round		
Optic Material	PMMA		
Holder Material	-		
Fastening	Tape, pin		
Status	Ready		



Ordering number CA11267
Description CA11267-Heidi-O-90-OSL

Family	Heidi	FWHM	52+10 degrees
Type	Lens	Efficiency	-
LED	Oslon SSL 80	cd/lm	-
Color	Transparent	Gerber File	Available
Diameter	21.6 mm		
Height	11.70 mm		
Style	Round		
Optic Material	PMMA		
Holder Material	-		
Fastening	Tape, pin		
Status	Ready		



Ordering number CA11268
Description CA11268-Heidi-W-OSL

Family	Heidi	FWHM	0 degrees
Type	Lens	Efficiency	-
LED	Oslon SSL 80	cd/lm	-
Color	Transparent	Gerber File	Available
Diameter	21.6 mm		
Height	11.70 mm		
Style	Round		
Optic Material	PMMA		
Holder Material	-		
Fastening	Tape, pin		
Status	Ready		



Ordering number C11382
Description C11382-Heidi-D-OSL

Family	Heidi	FWHM	7 degrees
Type	Lens	Efficiency	-
LED	Oslon SSL 80	cd/lm	-
Color	Transparent	Gerber File	Available
Diameter	21.6 mm		
Height	11.70 mm		
Style	Round		
Optic Material	PMMA		
Holder Material	-		
Fastening	Tape, pin		
Status	Ready		



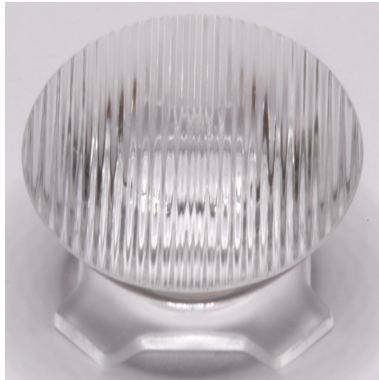
Ordering number C11383
Description C11383-Heidi-M-OSL

Family	Heidi	FWHM	28 degrees
Type	Lens	Efficiency	-
LED	Oslon SSL 80	cd/lm	-
Color	Transparent	Gerber File	Available
Diameter	21.6 mm		
Height	11.70 mm		
Style	Round		
Optic Material	PMMA		
Holder Material	-		
Fastening	Tape, pin		
Status	Ready		



Ordering number C11384
Description C11384-Heidi-O-OSL

Family	Heidi	FWHM	10+52 degrees
Type	Lens	Efficiency	-
LED	Oslon SSL 80	cd/lm	-
Color	Transparent	Gerber File	Available
Diameter	21.6 mm		
Height	11.70 mm		
Style	Round		
Optic Material	PMMA		
Holder Material	-		
Fastening	Tape, pin		
Status	Ready		



Ordering number C11385
Description C11385-Heidi-O-90-OSL

Family	Heidi	FWHM	10+52 degrees
Type	Lens	Efficiency	-
LED	Oslon SSL 80	cd/lm	-
Color	Transparent	Gerber File	Available
Diameter	21.6 mm		
Height	11.70 mm		
Style	Round		
Optic Material	PMMA		
Holder Material	-		
Fastening	Tape, pin		
Status	Ready		



Ordering number C11386
Description C11386-Heidi-W-OSL

Family	Heidi	FWHM	0 degrees
Type	Lens	Efficiency	-
LED	Oslon SSL 80	cd/lm	-
Color	Transparent	Gerber File	Available
Diameter	21.6 mm		
Height	11.70 mm		
Style	Round		
Optic Material	PMMA		
Holder Material	-		
Fastening	Tape, pin		
Status	Ready		



Ordering number C11662
Description C11662-Heidi-RS-OSL

Family	Heidi	FWHM	0 degrees
Type	Lens	Efficiency	-
LED	Oslon SSL 80	cd/lm	-
Color	Transparent	Gerber File	Available
Diameter	21.6 mm		
Height	11.70 mm		
Style	Round		
Optic Material	PMMA		
Holder Material	-		
Fastening	Tape, pin		
Status	Ready		

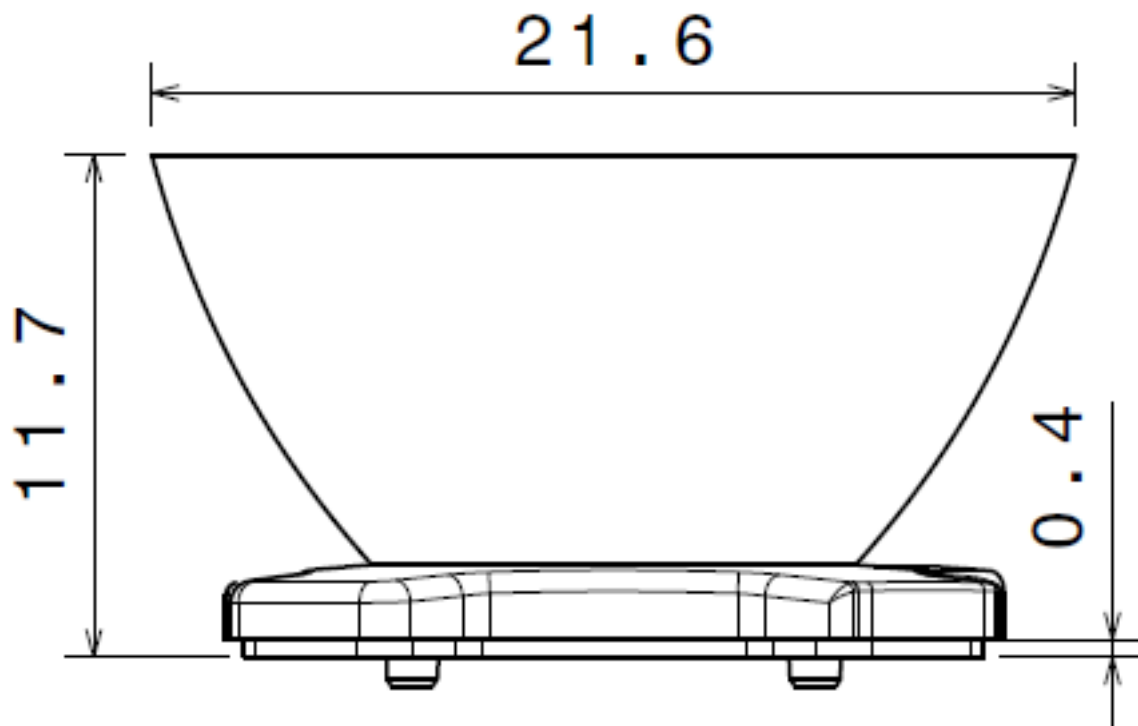


Ordering number CA11663
Description CA11663_Heidi-RS-OSL

Family	Heidi	FWHM	0 degrees
Type	Lens	Efficiency	-
LED	Oslon SSL 80	cd/lm	-
Color	Transparent	Gerber File	Available
Diameter	21.6 mm		
Height	11.70 mm		
Style	Round		
Optic Material	PMMA		
Holder Material	-		
Fastening	Tape, pin		
Status	Ready		



Heidi series



D

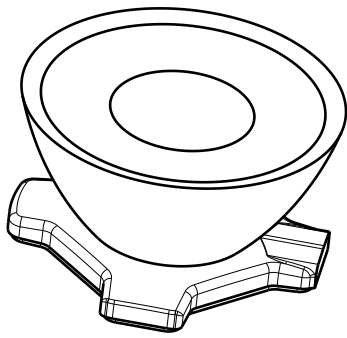
C

B

A

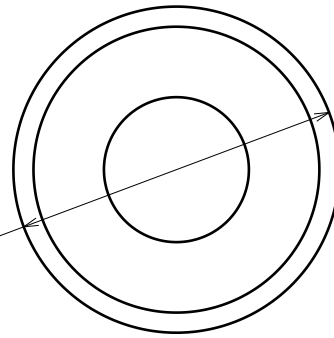
4

4



Isometric view

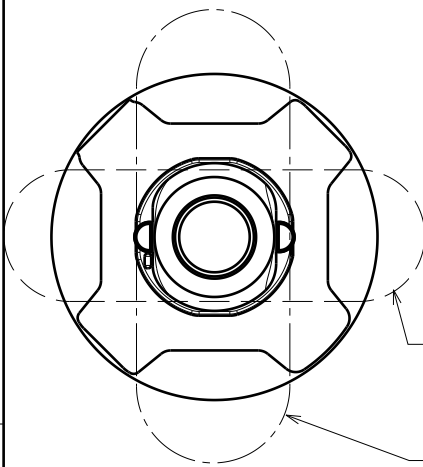
Ø 21.6



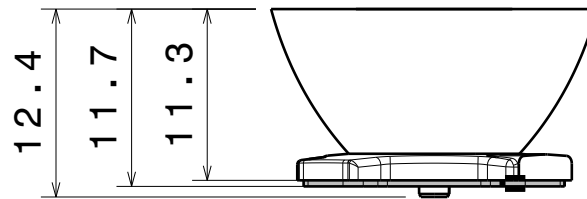
Top view

3

3



Bottom view
OVAL BEAM direction



Front view

12.4

11.7

11.3

Heidi-0

Heidi-0-90

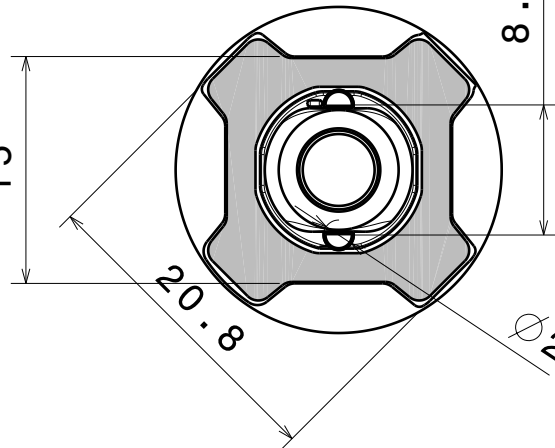
2

2

Material:
Lens PMMA
Tape PU Foam

Part no.s:
CA11264_Heidi-D
CA11265_Heidi-M
CA11266_Heidi-0
CA11267_Heidi-0-90

15



8.6 Between pin midpoints

Bottom view

Ø 12

20.8

This drawing is our property.
It can't be reproduced
or communicated without
our written agreement.



L
T
F
F

e
e
i
i
N
n

d

h

DRAWING TITLE

Datasheet Heidi-Series Assy

1

1

DRAWN BY

DATE

12.01.2010

CHECKED BY

DATE

12.01.2010

DESIGNED BY

hh

DATE

12.01.2010

SIZE

A4

DRAWING NUMBER

REV

1

SCALE

2:1

WEIGHT (g)

SHEET

1/1

D

A