



**Ordering number** CA11264  
**Description** CA11264-Heidi-D-RE

Family Heidi  
 Type Lens  
 LED Luxeon-Rebel-ES  
 Color Transparent  
 Diameter 21.6 mm  
 Height 11.70 mm  
 Style Round  
 Optic Material PMMA  
 Holder Material -  
 Fastening Tape, pin  
 Status Ready

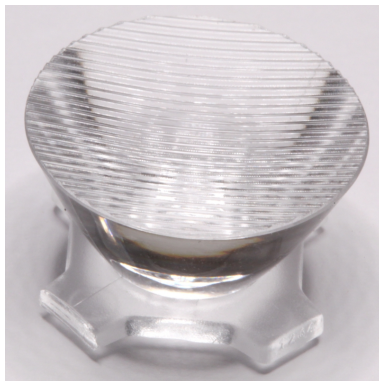
FWHM 8 degrees  
 Efficiency 91  
 cd/lm -  
 Gerber File Available



**Ordering number** CA11265  
**Description** CA11265-Heidi-M-RE

Family Heidi  
 Type Lens  
 LED Luxeon-Rebel-ES  
 Color Transparent  
 Diameter 21.6 mm  
 Height 11.70 mm  
 Style Round  
 Optic Material PMMA  
 Holder Material -  
 Fastening Tape, pin  
 Status Ready

FWHM 28 degrees  
 Efficiency 90  
 cd/lm -  
 Gerber File Available



**Ordering number** CA11266  
**Description** CA11266-Heidi-O-RE

Family Heidi  
 Type Lens  
 LED Luxeon-Rebel-ES  
 Color Transparent  
 Diameter 21.6 mm  
 Height 11.70 mm  
 Style Round  
 Optic Material PMMA  
 Holder Material -  
 Fastening Tape, pin  
 Status Ready

FWHM 10+52 degrees  
 Efficiency 84  
 cd/lm -  
 Gerber File Available



**Ordering number** CA11267  
**Description** CA11267-Heidi-O-90-RE

Family Heidi  
 Type Lens  
 LED Luxeon-Rebel-ES  
 Color Transparent  
 Diameter 21.6 mm  
 Height 11.70 mm  
 Style Round  
 Optic Material PMMA  
 Holder Material -  
 Fastening Tape, pin  
 Status Ready

FWHM 52+10 degrees  
 Efficiency 84  
 cd/lm -  
 Gerber File Available



**Ordering number** CA11268  
**Description** CA11268-Heidi-W-RE

Family Heidi  
 Type Lens  
 LED Luxeon-Rebel-ES  
 Color Transparent  
 Diameter 21.6 mm  
 Height 11.70 mm  
 Style Round  
 Optic Material PMMA  
 Holder Material -  
 Fastening Tape, pin  
 Status Ready

FWHM 30 degrees  
 Efficiency -  
 cd/lm -  
 Gerber File Available



**Ordering number** C11382  
**Description** C11382-Heidi-D-RE

Family Heidi  
 Type Lens  
 LED Luxeon-Rebel-ES  
 Color Transparent  
 Diameter 21.6 mm  
 Height 11.70 mm  
 Style Round  
 Optic Material PMMA  
 Holder Material -  
 Fastening Tape, pin  
 Status Ready

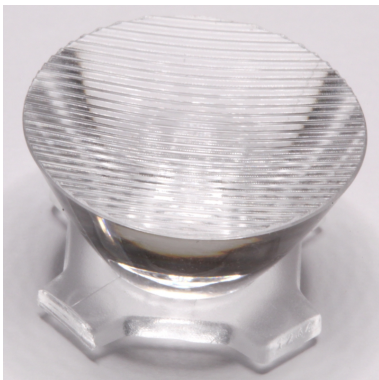
FWHM 8 degrees  
 Efficiency -  
 cd/lm -  
 Gerber File Available



**Ordering number** C11383  
**Description** C11383-Heidi-M-RE

Family Heidi  
 Type Lens  
 LED Luxeon-Rebel-ES  
 Color Transparent  
 Diameter 21.6 mm  
 Height 11.70 mm  
 Style Round  
 Optic Material PMMA  
 Holder Material -  
 Fastening Tape, pin  
 Status Ready

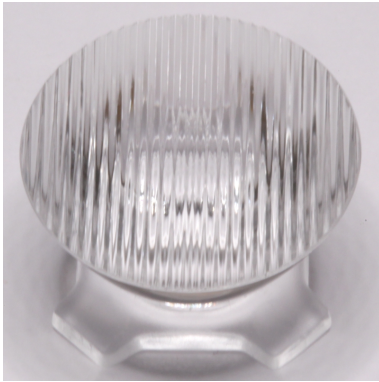
FWHM 28 degrees  
 Efficiency -  
 cd/lm -  
 Gerber File Available



**Ordering number** C11384  
**Description** C11384-Heidi-O-RE

Family Heidi  
 Type Lens  
 LED Luxeon-Rebel-ES  
 Color Transparent  
 Diameter 21.6 mm  
 Height 11.70 mm  
 Style Round  
 Optic Material PMMA  
 Holder Material -  
 Fastening Tape, pin  
 Status Ready

FWHM 10+52 degrees  
 Efficiency -  
 cd/lm -  
 Gerber File Available



**Ordering number** C11385  
**Description** C11385-Heidi-O-90-RE

Family	Heidi	FWHM	10+52 degrees
Type	Lens	Efficiency	-
LED	Luxeon-Rebel-ES	cd/lm	-
Color	Transparent	Gerber File	Available
Diameter	21.6 mm		
Height	11.70 mm		
Style	Round		
Optic Material	PMMA		
Holder Material	-		
Fastening	Tape, pin		
Status	Ready		



**Ordering number** C11386  
**Description** C11386-Heidi-W-RE

Family	Heidi	FWHM	30 degrees
Type	Lens	Efficiency	-
LED	Luxeon-Rebel-ES	cd/lm	-
Color	Transparent	Gerber File	Available
Diameter	21.6 mm		
Height	11.70 mm		
Style	Round		
Optic Material	PMMA		
Holder Material	-		
Fastening	Tape, pin		
Status	Ready		



**Ordering number** C11662  
**Description** C11662-Heidi-RS-RE

Family	Heidi	FWHM	12 degrees
Type	Lens	Efficiency	-
LED	Luxeon-Rebel-ES	cd/lm	-
Color	Transparent	Gerber File	Available
Diameter	21.6 mm		
Height	11.70 mm		
Style	Round		
Optic Material	PMMA		
Holder Material	-		
Fastening	Tape, pin		
Status	Ready		

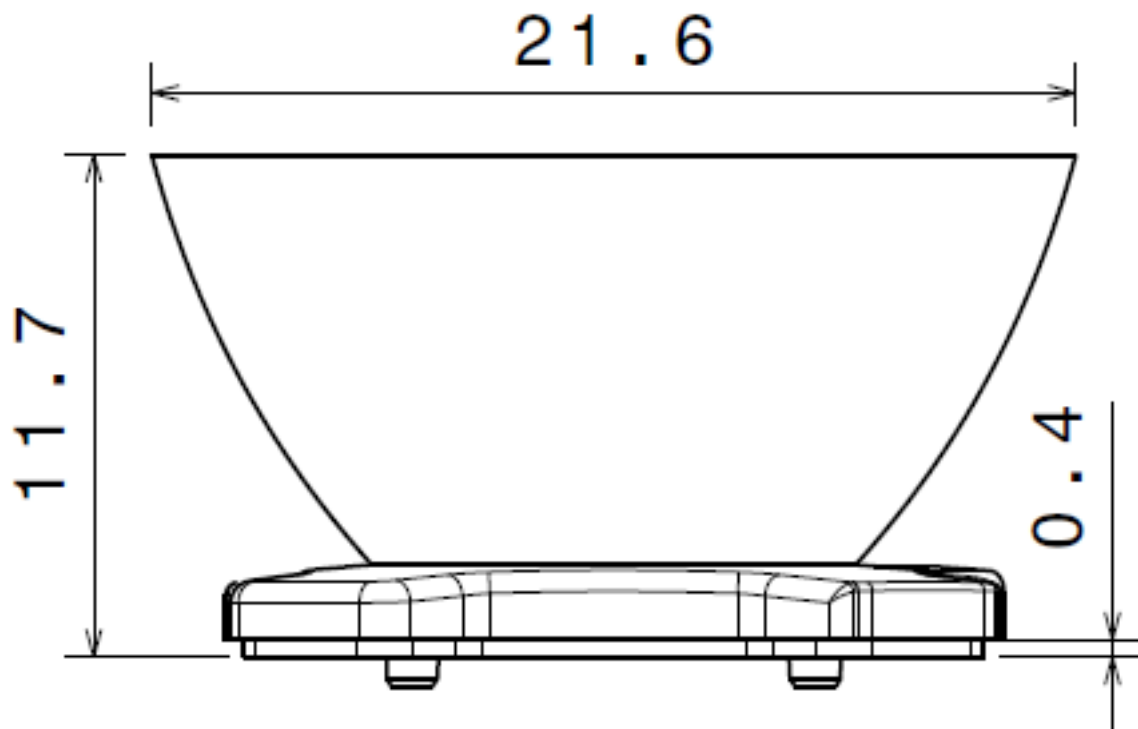


**Ordering number** CA11663  
**Description** CA11663\_Heidi-RS-RE

Family	Heidi	FWHM	12 degrees
Type	Lens	Efficiency	93
LED	Luxeon-Rebel-ES	cd/lm	-
Color	Transparent	Gerber File	Available
Diameter	21.6 mm		
Height	11.70 mm		
Style	Round		
Optic Material	PMMA		
Holder Material	-		
Fastening	Tape, pin		
Status	Ready		



## Heidi series





D

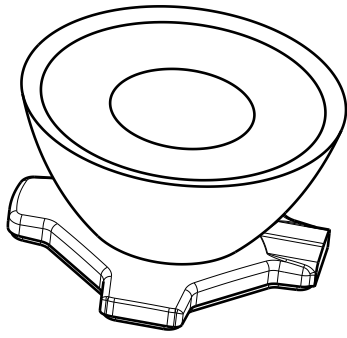
C

B

A

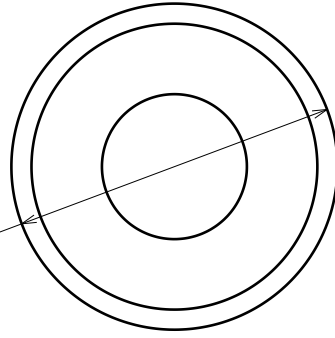
4

4



Isometric view

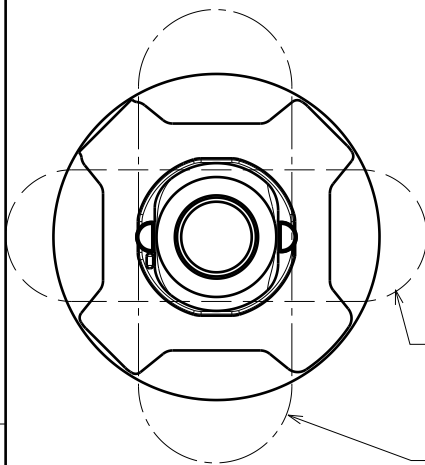
Ø 21.6



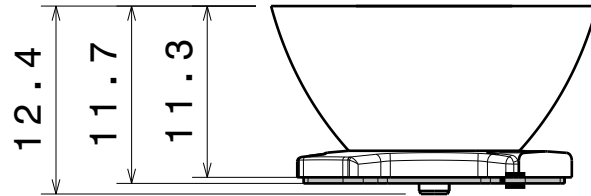
Top view

3

3



Bottom view  
OVAL BEAM direction



Front view

Heidi-0

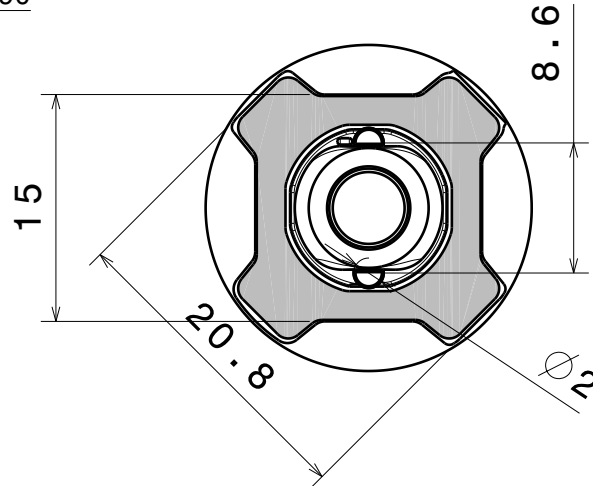
Heidi-0-90

2

2

Material:  
Lens PMMA  
Tape PU Foam

Part no.s:  
CA11264\_Heidi-D  
CA11265\_Heidi-M  
CA11266\_Heidi-0  
CA11267\_Heidi-0-90



8.6 Between pin midpoints

Bottom view

This drawing is our property.  
It can't be reproduced  
or communicated without  
our written agreement.



L  
T  
F  
F

e  
e  
i  
i  
N  
n

d

DRAWING TITLE

Datasheet Heidi-Series Assy

1

1

DRAWN BY o	DATE 12.01.2010
CHECKED BY o	DATE 12.01.2010
DESIGNED BY hh	DATE 12.01.2010

SIZE A4	DRAWING NUMBER	REV 1
SCALE 2:1	WEIGHT (g)	SHEET 1/1

D

A