

Lisa2 Lisa2-Clip16-RE series



Ordering number	FA11072		
Description	FA11072_Lisa2-M-clip16-RE		
Family	Lisa2	FWHM	25 degrees
Type	Assembly	Efficiency	-
LED	Luxeon-Rebel	cd/lm	-
Color	Black	Gerber File	Available
Diameter	9.9 mm		
Height	7 mm		
Style	Round		
Optic Material	PMMA		
Holder Material	-		
Fastening	Tape, glue		
Status	Ready		



Ordering number	FA11073		
Description	FA11073_Lisa2-W-clip16-RE		
Family	Lisa2	FWHM	37 degrees
Type	Assembly	Efficiency	-
LED	Luxeon-Rebel	cd/lm	-
Color	Black	Gerber File	Available
Diameter	9.9 mm		
Height	7 mm		
Style	Round		
Optic Material	PMMA		
Holder Material	PC		
Fastening	Tape, glue		
Status	Ready		



Ordering number	FA11074		
Description	FA11074_Lisa2-WW-clip16-RE		
Family	Lisa2	FWHM	degrees
Type	Assembly	Efficiency	-
LED	Luxeon-Rebel	cd/lm	-
Color	Black	Gerber File	Available
Diameter	9.9 mm		
Height	7 mm		
Style	Round		
Optic Material	PMMA		
Holder Material	PC		
Fastening	Tape, glue		
Status	Ready		



Ordering number	FA11086		
Description	FA11086_Lisa2-RS-clip16-RE		
Family	Lisa2	FWHM	18 degrees
Type	Assembly	Efficiency	-
LED	Luxeon-Rebel	cd/lm	-
Color	Black	Gerber File	Available
Diameter	9.9 mm		
Height	7 mm		
Style	Round		
Optic Material	PMMA		
Holder Material	PC		
Fastening	Tape, glue		
Status	Ready		



Lisa2 Lisa2-Clip16-RE series



Ordering number	FA11858		
Description	FA11858_Lisa2-O-90-clip16-RE		
Family	Lisa2	FWHM	48+20 degrees
Type	Assembly	Efficiency	-
LED	Luxeon-Rebel	cd/lm	-
Color	Black	Gerber File	Available
Diameter	9.9 mm		
Height	7 mm		
Style	Round		
Optic Material	PMMA		
Holder Material	PC		
Fastening	Tape, glue		
Status	Ready		

D

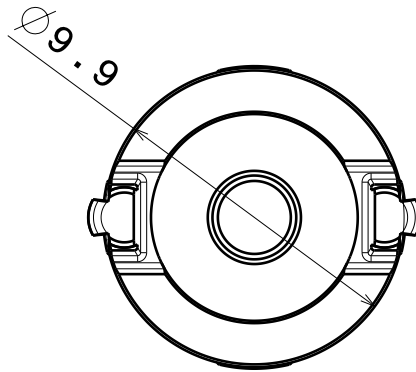
C

B

A

4

4

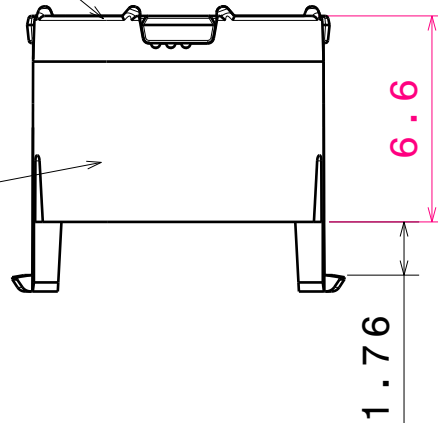


Lens

3

3

Holder



2

2

Materials:
 Lens PMMA
 Holder PC

1

1

This drawing is our property.
 It can't be reproduced
 or communicated without
 our written agreement.



L
T
F
F

e
e
i
i
N
n

d
h

DRAWING TITLE

Datasheet Lisa2-clip16-Rebel series Assy

DRAWN BY

DATE

p

30.12.2009

CHECKED BY

DATE

s

n

23.12.2009

DESIGNED BY

DATE

hh

19.10.2009

SIZE

A4

DRAWING NUMBER

REV

1

SCALE

4:1

WEIGHT (g)

SHEET

1/1

D

A