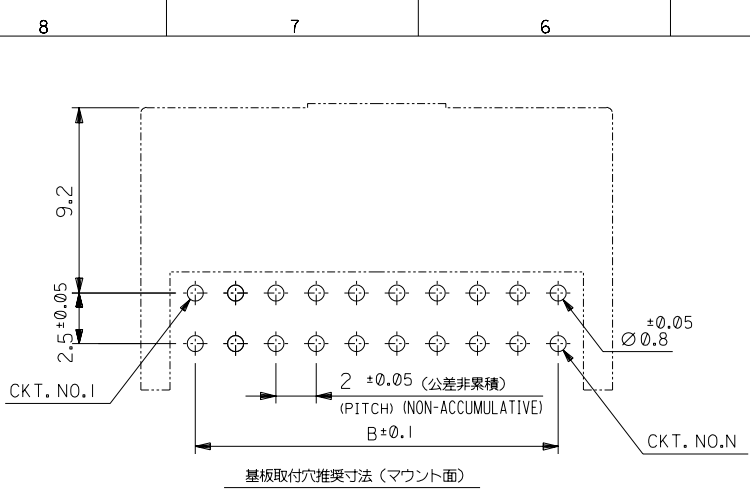
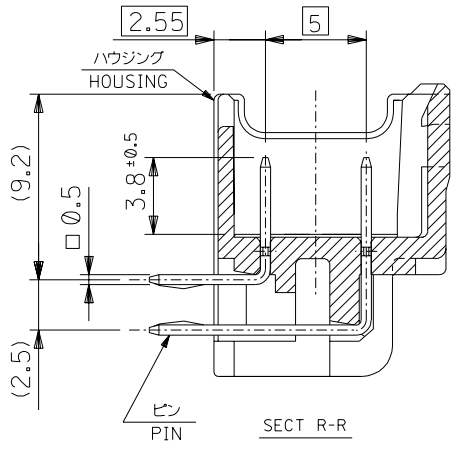




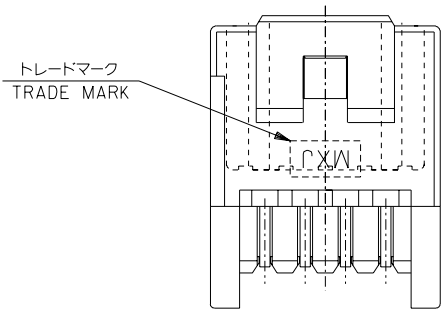
DWG. NO. SD-55959-003



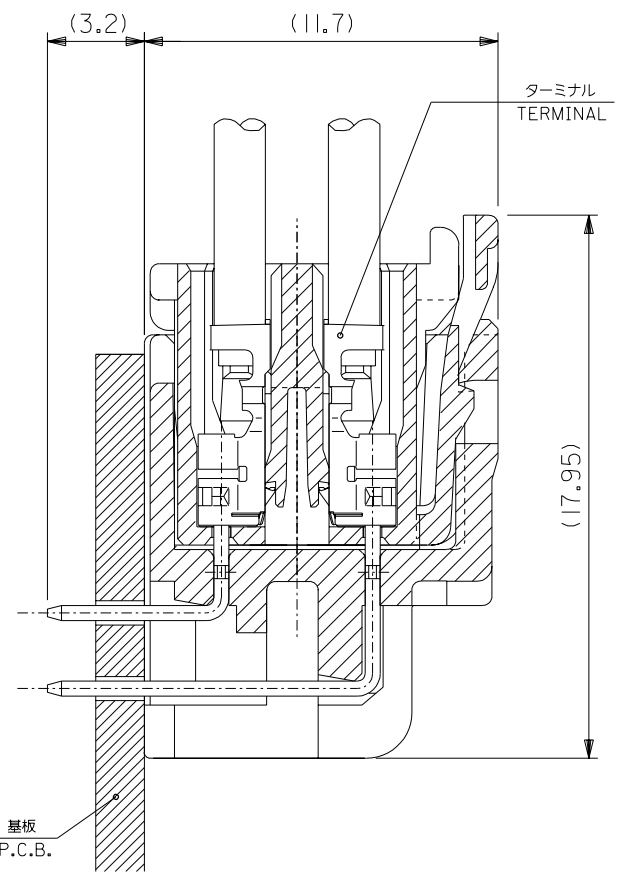
RECOMMENDED P.C.BOARD HOLE DIMENSION (MOUNTING SIDE) (t = 1.2, 1.6)



SECT R-R



8 CIRCUIT



嵌合断面図 (参考)  
MATED DRAWING (REF.)

DO NOT SCALE DRAWING

EC NO. DRWN: CHK: APPR:	EC NO. DRWN: CHK: APPR:	EC NO. DRWN: CHK: APPR:	REVISED EC NO. J2004-3728 DRWN:Y.WADA '04/04/09 CHK: M.SASAO APPR:M.SASAO	REVISED EC NO. J2003-3290 DRWN:N.IITO '03/06/26 CHK: K.ASAKAWA APPR:T.YAMAGUCHI	MATERIAL 材料 注記参照 SEE NOTES	GENERAL TOLERANCES: (UNLESS SPECIFIED) 一般公差
					FINISH 仕上げ //	10 UNDER 未満 ±0.2
					WIRE RANGE 適用 線径 範囲 //	10 OVER 30 UNDER 以上 未満 ±0.25
					INS. RANGE 被覆 外径 //	30 OVER 以上 ±0.3
						ANGLE 角度 ±3°

55959-***3		MODEL NO.	DIMENSIONS:		SHT	REV	
SCALE	DESIGN UNITS	THIRD ANGLE PROJECTION	<input type="checkbox"/> mm	<input type="checkbox"/> INCH	<input checked="" type="checkbox"/> mm ONLY	REVISE ON CAD ONLY	
DRAWN BY & DATE N.IITO '02/02/24	CHECKED BY & DATE K.ASAKAWA '03/06/26	TITLE: 2.0mm W-t-B DUAL CONN DIP PLUG HOUSING ASS'Y R/A (WITHOUT BOSS) -LEAD FREE-					
APPROVED BY & DATE T.YAMAGUCHI '03/06/26		MOLEX INCORPORATED		MATERIAL NO.	DRAWING NO.	SHEET NO.	
CAD FILENAME 55959003.S02		SEE CHART		SD-55959-003		2 OF 3	
THIS DRAWING CONTAINS INFORMATION THAT IS PROPRIETARY TO MOLEX INCORPORATED AND SHOULD NOT BE USED WITHOUT WRITTEN PERMISSION.						SIZE B	

EN-02J(097) MXJ-54

55959003.S02

F

D

V

C

B

DO NOT SCALE DRAWING

8 7 6 5 4 3 2 1

F

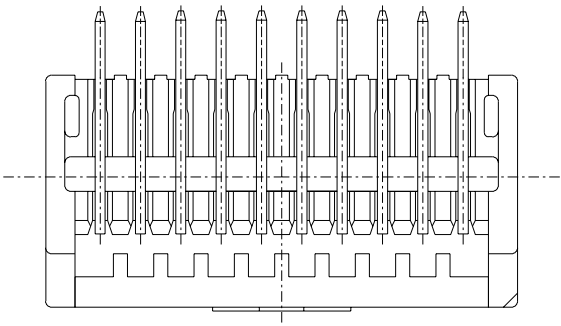
E

D

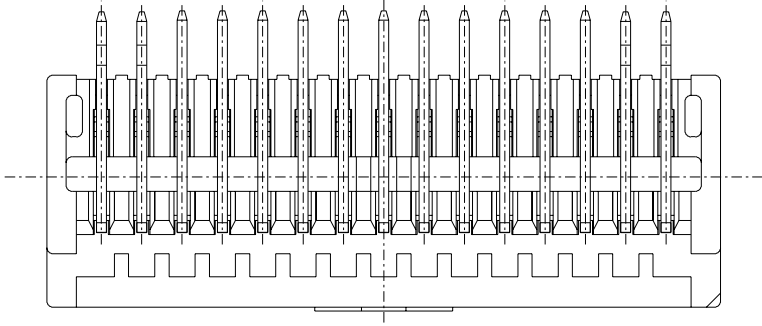
C

B

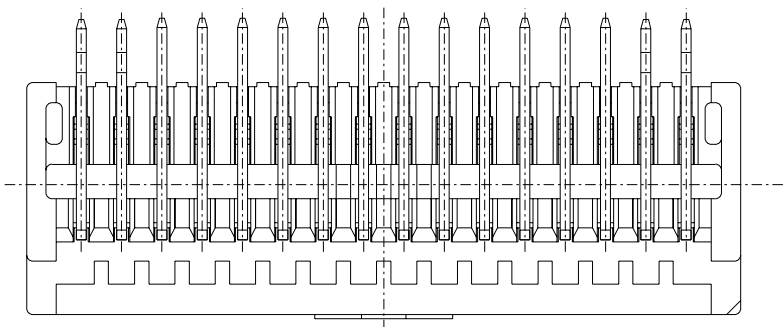
A



8-20 CIRCUIT



22,26,30,34,38 CIRCUIT



24,28,32,36,40 CIRCUIT

VIEW "T"

EC NO. DRWN: CHK: APPR:	EC NO. DRWN: CHK: APPR:	EC NO. DRWN: CHK: APPR:	REVISED EC NO. J2004-3728 DRWN:Y.WADA '04/04/09 CHK: M.SASAO APPR:M.SASAO	REVISED EC NO. J2003-3290 DRWN:N.ITO '03/06/26 CHK: K.ASAKAWA APPR:T.YAMAGUCHI	MATERIAL 材料  注記参照 SEE NOTES	GENERAL TOLERANCES: (UNLESS SPECIFIED) 一般公差	55959-***3	MODEL NO.	DIMENSIONS: <input type="checkbox"/> mm <input type="checkbox"/> INCH <input checked="" type="checkbox"/> mm ONLY	SHT	REV
8	7	6	F	E	FINISH 仕上り  //	10 UNDER 未満 ±0.2	SCALE //	DESIGN UNITS <input checked="" type="checkbox"/> mm <input type="checkbox"/> INCH	<input checked="" type="checkbox"/> THIRD ANGLE <input type="checkbox"/> PROJECTION		REVISE ON CAD ONLY
					WIRE RANGE 適用層線範囲  //	10 OVER 30 UNDER 以上 未満 ±0.25	DRAWN BY & DATE N.ITO '02/02/24	TITLE: 2.0mm W-t-B DUAL CONN DIP PLUG HOUSING ASS'Y R/A (WITHOUT BOSS) -LEAD FREE-			
					INS. RANGE 被覆外径  //	30 OVER 以上 ±0.3	CHECKED BY & DATE K.ASAKAWA '03/06/26	MOLEX MOLEX INCORPORATED			
						ANGLE 角度 ±3°	APPROVED BY & DATE T.YAMAGUCHI '03/06/26	MATERIAL NO. SEE CHART	DRAWING NO. SD-55959-003	SHEET NO. 3 OF 3	SIZE B
THIS DRAWING CONTAINS INFORMATION THAT IS PROPRIETARY TO MOLEX INCORPORATED AND SHOULD NOT BE USED WITHOUT WRITTEN PERMISSION.											EN-02J(097) MXJ-54

8 7 6 5 4 3 2 1