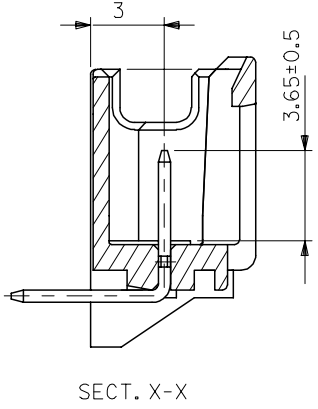
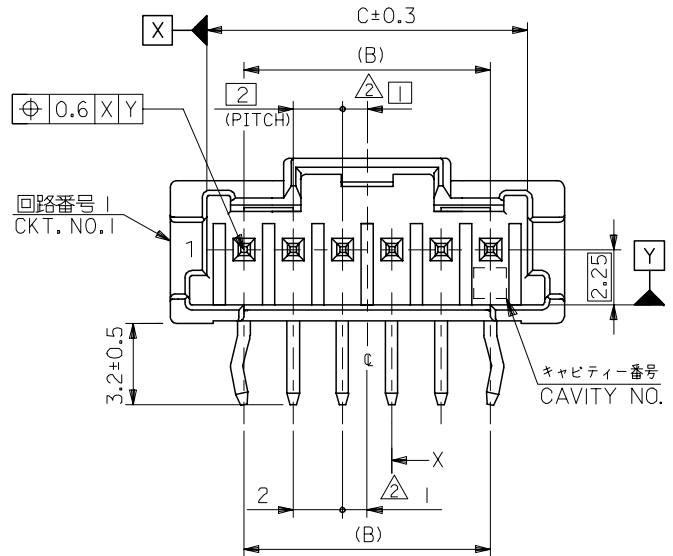
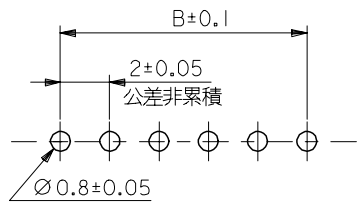


10 9 8 7 6 5 4 3 2 1



SECT. X-X

NOTE  
 1. 嵌合相手: 51382-\*\*\*\*  
 △ 偶数極 (列) に適用。  
 3. キングは両外側の位置に付加。  
 △ 製品番号 MATERIAL NO.  
 55935-\*\*\*\*

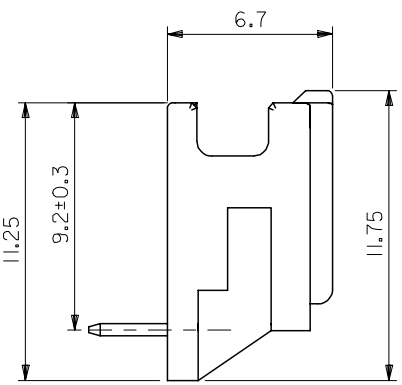
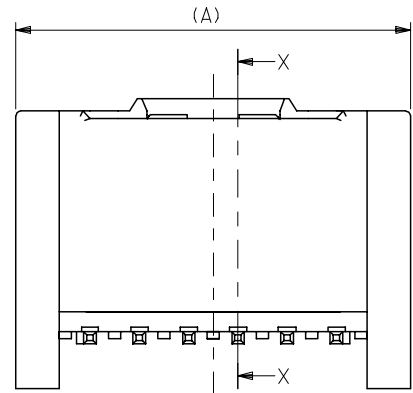


推奨基板寸法  
 (t = 1.6)

極数 CIRCUIT SIZE

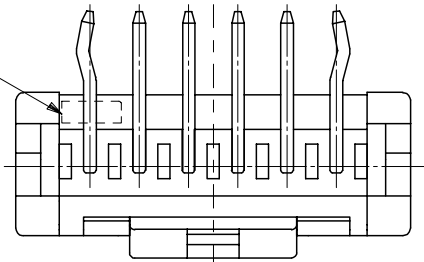
色 COLOR	
30	自然色 (白) NATURAL (WHITE)
31	黒 BLACK
32	赤 RED
33	黄 YELLOW
34	青 BLUE
35	桃 PINK
36	緑 GREEN
37	茶 BROWN
38	橙 ORANGE
39	紫 VIOLET
51	灰 GRAY
53	蛍光黄 FLUORESCENT YELLOW
54	水 PALE BLUE
55	蛍光桃 FLUORESCENT PINK
56	黄緑 YELLOWISH GREEN
58	蛍光橙 FLUORESCENT ORANGE

31	28	34	55935-15**	15
29	26	32	55935-14**	14
27	24	30	55935-13**	13
25	22	28	55935-12**	12
23	20	26	55935-11**	11
21	18	24	55935-10**	10
19	16	22	55935-09**	9
17	14	20	55935-08**	8
15	12	18	55935-07**	7
13	10	16	55935-06**	6
11	8	14	55935-05**	5
9	6	12	55935-04**	4
7	4	10	55935-03**	3
5	2	8	55935-02**	2
C	B	A	MATERIAL NO.	CKT.



SECT. X-X

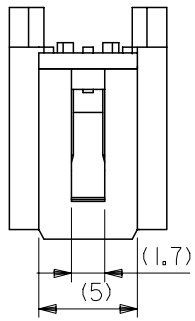
トレードマーク  
 TRADE MARK



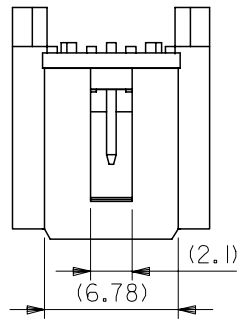
MATERIAL  
 ピン : 黄銅、ニッケル下地錫メッキ  
 ハウジング : PBT

REVISED EC No: J2005-3098 DRAWN: NABEI CHKD: KTOJO APPR: NUKITA 2005/04/15 2005/04/18 2005/04/21	GENERAL TOLERANCES (UNLESS SPECIFIED)		DIMENSION STYLE MM ONLY		SCALE ---	DESIGN UNITS METRIC	THIRD ANGLE PROJECTION
	10 UNDER	±0.2	DRAWN BY DATE T. NIITSU '02/02/08		TITLE 2.0 W/B SINGLE CONN. PLUG HOUSING ASS'Y R/A -LEAD FREE-		
	10 OVER 30 UNDER	±0.25	CHECKED BY DATE K. ASAKAWA '03/06/12				
	30 OVER	±0.3	APPROVED BY DATE T. YAMAGUCHI '03/06/12		MOLEX INCORPORATED		
	ANGULAR	±3 °	MATERIAL NO. SEE CHART				
J	DRAFT WHERE APPLICABLE MUST REMAIN WITHIN DIMENSIONS		SIZE A 3		THIS DRAWING CONTAINS INFORMATION THAT IS PROPRIETARY TO MOLEX INCORPORATED AND SHOULD NOT BE USED WITHOUT WRITTEN PERMISSION		

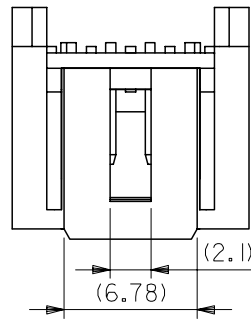
10 9 8 7 6 5 4 3 2 1



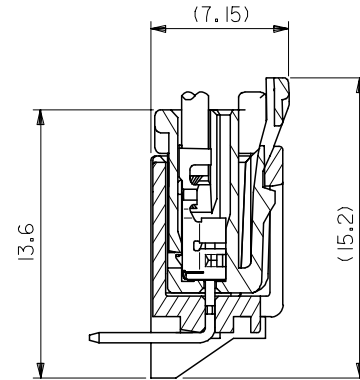
2 CIRCUIT



3 CIRCUIT



4 CIRCUIT 以上



嵌合断面图

MODEL NO. : 55935-\*\*\*\*

REVISED EC NO: J2005-3098 DRAWN: NABEI 2005/04/15 CHKD: KTOJO 2005/04/18 APPR: NUKITA 2005/04/21 J	GENERAL TOLERANCES (UNLESS SPECIFIED)		DIMENSION STYLE MM ONLY		SCALE ---	DESIGN UNITS METRIC	THIRD ANGLE PROJECTION		
	10 UNDER	±0.2	DRAWN BY T. NIITSU		DATE '02/02/08	TITLE 2.0 W/B SINGLE CONN. PLUG HOUSING ASS'Y R/A -LEAD FREE-			
	10 OVER 30 UNDER	±0.25	CHECKED BY K. ASAKAWA		DATE '03/06/12				
	30 OVER	±0.3	APPROVED BY T. YAMAGUCHI		DATE '03/06/12	MOLEX INCORPORATED DOCUMENT NO. SD-55935-002 SHEET NO. 2 OF 2			
	ANGULAR ±3 °		MATERIAL NO.		SEE CHART				
DRAFT WHERE APPLICABLE MUST REMAIN WITHIN DIMENSIONS		SIZE A3		THIS DRAWING CONTAINS INFORMATION THAT IS PROPRIETARY TO MOLEX INCORPORATED AND SHOULD NOT BE USED WITHOUT WRITTEN PERMISSION					