

MICRO SWITCH

FREEMONT ILLINOIS, U.S.A
A DIVISION OF HONEYWELL
FED. MFG. CODE 9 1929

SWITCH-BASIC

CATALOG LISTING

BZ-2RW80231-A2

CATALOG LISTING
BZ-2RW80231-A2
PAGE 1 OF 1

RELEASE NO. PR-8358
DRAWING NUMBER
8

CHECK

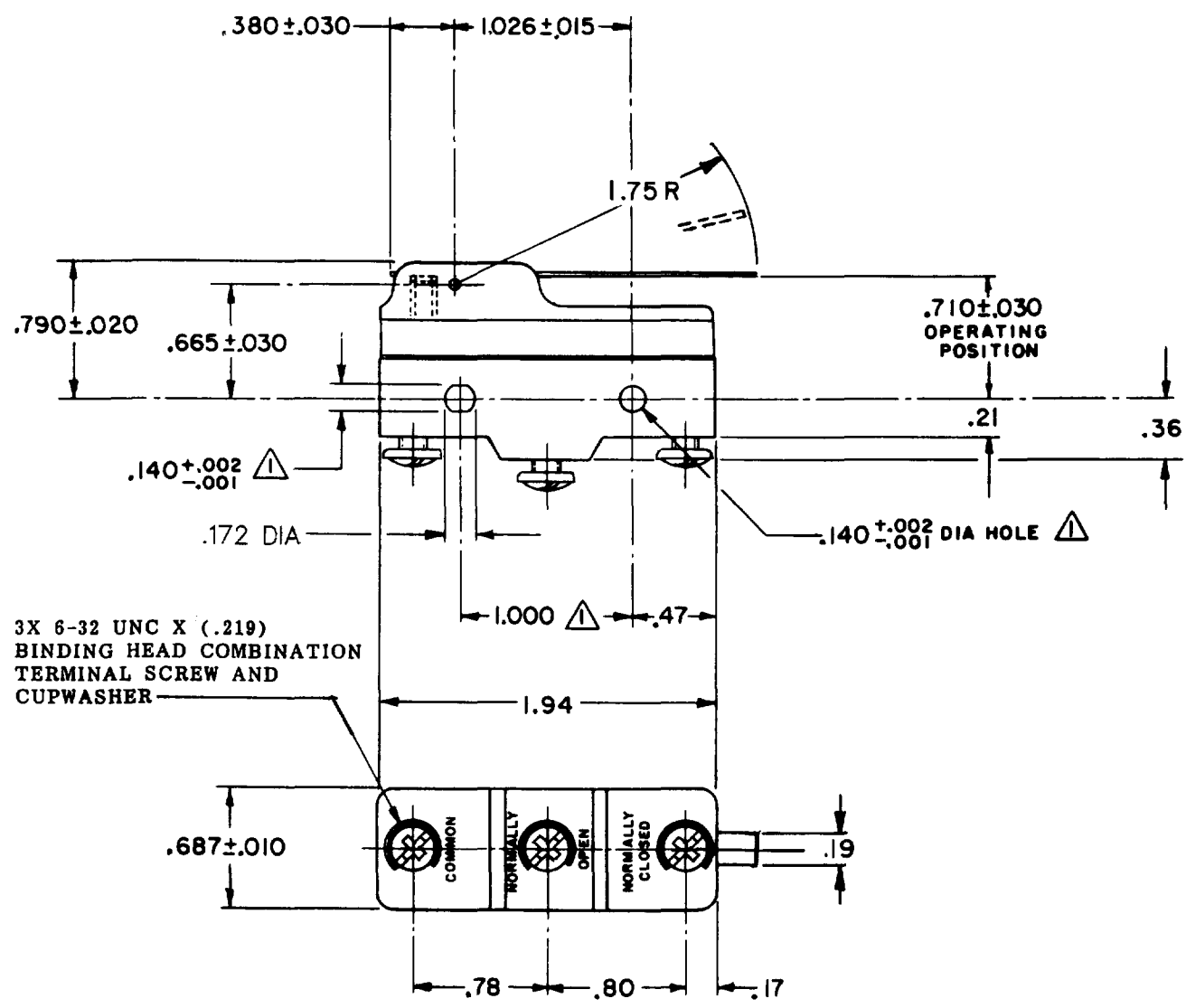
REVISIONS

A	CO 47585	KAK	12 MAY 80
B	CO 47846	D J S	21 JUN 80
C	CO-52975	KAG	7 JUN 83
D	CO-73287-J	JAL	22 NOV 93
E	CO 77589	TSM	29 MAR 94
F	CO93346	DLT	2 SEP 98
G	205009	CSL	1 MAR 02

CHECK

CHECK

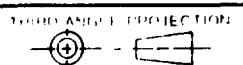
RASTER
DRAWN
KAK
21 DEC 79



3X 6-32 UNC X (.219)
BINDING HEAD COMBINATION
TERMINAL SCREW AND
CUPWASHER

NOTES
 ▲ MOUNTING HOLES WILL ACCEPT PINS OR SCREWS
 OF .139 MAX DIA ON 1.000 ± .002 CENTERS
 2 - SWITCH IS ACTUATED BY MOVING LEVER UPWARD

THIS DRAWING COVERS A PROPRIETARY ITEM AND IS THE PROPERTY OF MICRO SWITCH, A DIVISION OF HONEYWELL. THIS DRAWING IS NOT TO BE COPIED OR USED WITHOUT THE APPROVAL OF MICRO SWITCH.



CHARACTERISTICS

OPERATING FORCE -- 60 GRAMS MAX
 RELEASE FORCE ---- 7 GRAMS MIN
 DIFFERENTIAL TRAVEL --- .004-.035
 OVERTRAVEL ----- .156 MIN

ELECTRICAL DATA

CONTACT ARRANGEMENT
S P D T

15A-125, 250 OR 480 VAC, 2A-600 VAC
 1/8HP-125 VAC; 1/4HP-250 VAC
 CODE L74 1/2A-125 VDC; 1/4A-250 VDC

L288
 L299
 L306



16A 250V ~ T85 5E4

SCALE FULL

DO NOT SCALE PRINT

TOLERANCES
 APPLY TO DESIGN UNITS. CONVERSIONS ARE ONLY FOR
 REFERENCE. UNLESS NOTED, TOLERANCES ARE ±

	DIM.		DIM.	
	mm	mm/in	in	mm/in
NO PLACES	X	1/64	X X	0.01/03
ONE PLACE	X, X	0.4/018	X X X	0.30/015
TWO PLACES	X, X X	0.15/008	X X X X	0.13/005
THREE PLACES	X, X X X		X X X X X	

DESIGN UNITS SI METRIC US CUSTOMARY

WEIGHT .073 LB