

SECTION A-A  
SCALE 1:1

TECHNICAL CHARACTERISTICS

MATERIAL  
 INSULATOR: PBT  
 FLAMABILITY RATING: UL94-V0  
 COLOR: WHITE  
 CONTACT MATERIAL: COPPER ALLOYS  
 CONTACT TYPE: STAMPED  
 CONTACT PLATING: SELECTIVE GOLD  
 SHIELDING: BRASS Ni PLATED  
 QUALITY CLASS: 1500 MATING CYCLES

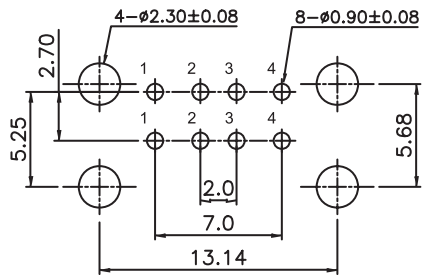
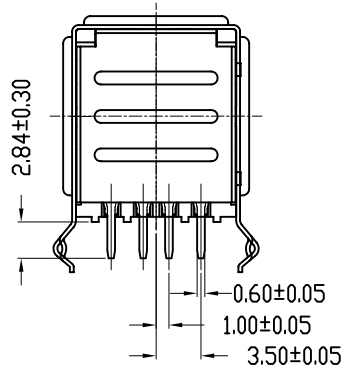
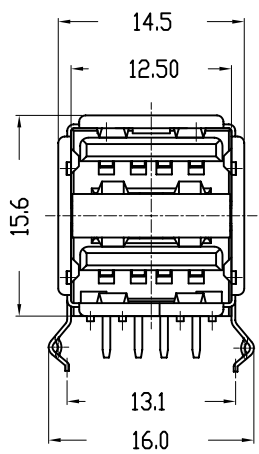
ENVIRONMENTAL  
 OPERATING TEMPERATURE: -40 UP TO 105°C  
 COMPLIANCE: LEAD FREE AND ROHS

ELECTRICAL  
 CURRENT RATING: 1A  
 WORKING VOLTAGE: 30V  
 INSULATOR RESISTANCE: >1000 MOHM  
 DIELECTRIC WITHSTANDING VOLTAGE: 750V AC/MN  
 CONTACT RESISTANCE: 20 mOHM MAX

STANDARD  
 CERTIFIED: E323964 / MODEL NUMBER 614-60

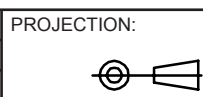
SOLDERING  
 WAVE PROCESS ONLY

PACKAGING  
 TRAY



PCB LAYOUT - COMPONENT VIEW

RoHS Compliant			
G			
F			
E	23-JUL-11	NEW MOLD	JC
D	08-JUL-10	PACKAGING	JC
C	25-JAN-10	NEW DRAW SHIELD	JP
B	19-NOV-09	STANDARD	JP
A	23-MAR-09	NEW DRAW	JP
REV	DATE	FILE	BY



APPROVAL: RJ

GENERAL TOLERANCE  
 .X = +/- 0.2  
 .XX = +/- 0.15

UNIT: MM  
 SCALE:  
 SHEET: 1/2  
 DRAW: MIKE



DESCRIPTION: DUAL USB TYPE A VERTICAL

WERI PART NO: 614 008 260 21

SIZE  
**A4**