

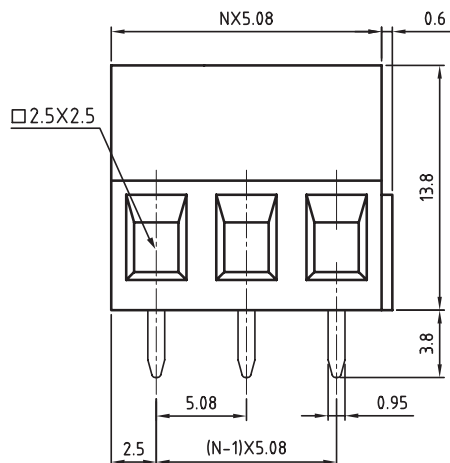
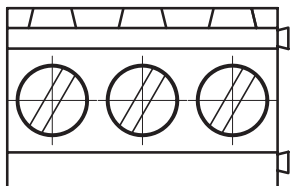
1

2

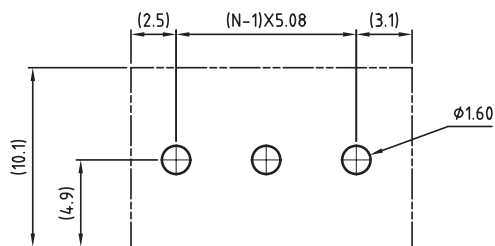
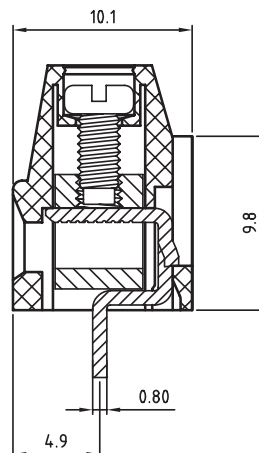
3

4

5



N=Number of contacts



PCB LAYOUT - COMPONENT VIEW

TECHNICAL CHARACTERISTICS

MATERIAL
 INSULATOR: PA 66
 FLAMABILITY RATING: UL94-V0
 COLOR: GREEN
 METAL HOUSING: BRASS (CuZn)
 TERMINAL SCREW SLOT TYPE: "-"
 CONTACT: BRASS
 SOLDER TAIL PLATING: TIN

ENVIRONMENTAL
 OPERATING TEMPERATURE: -40 UP TO 105°C
 COMPLIANCE: LEAD FREE AND ROHS

ELECTRICAL
 CURRENT RATING: 10A
 WORKING VOLTAGE: 300VAC
 WITHSTANDING VOLTAGE: 1.6KV
 CONTACT RESISTANCE: 20 mOhm max

MECHANICAL
 SOLID WIRE: 24-12AWG / 0.20-3.5MM²
 STRANDED WIRE: 24-12AWG / 0.20-3.5MM²
 TORQUE: □ □ 3.5Lb-In / 0.4Nm

WIRE STRIPE LENGTH: 6-7MM
 SCREW: M2.5
 PITCH: 5.08MM

SOLDERING: WAVE PROCESS ONLY

PACKAGING: BOX

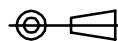
SERIE 2165

CERTIFICATION



RoHS Compliant

PROJECTION:



GENERAL TOLERANCE

.X = +/- 0.2

.XX = +/- 0.15



APPROVAL: RJ

UNIT: MM

SCALE:

SHEET: 1/1

DRAW: MARVIN

DESCRIPTION: SERIE 2165 - 5.08MM HORIZONTAL ENTRY MODULAR WITH RISING CAGE CLAMP - 3.5MM² WIRES WR-TBL

WERI PART NO: 691 216 510 0xx

SIZE

A4

G			
F			
E			
D			
C			
B			
A	30-OCT-08	PDF	JP
REV	DATE	FILE	BY