



GSM 11.11 Standard Compliant Plug-in SIM Card Connector CONNECTOR

SF7 Series

MB-0057-4
December 2001

The SF7 Series is a hinge-type connector supporting the GSM 11.11 standard compliant Plug-in SIM Card used for the European digital mobile phone GSM system.

(SIM: subscriber identity module)

Features

- * Supports GSM 11.11 standard compliant Plug-in SIM Card for European digital mobile phones.
 - * Molded component has a card mis-insertion prevention mechanism.
 - * Adsorption area for SMT and automated mounting. Supply with em bossed tape available.
 - * To complete friction lock, insert the card into the cover, then slide the cover.
- Easy operation hinge slide lock mechanism.
- * The cover can be full-flat (bendable from 0 degree to 180 degrees) so that the connector can fit any design of mobile phone.

[Type without card detection switch]

- * 2.3mm height, 30mm long, 17.2mm width low-profile and compact type
- * Configured with positioning bosses and board mis-insertion prevention mechanism using different diameter bosses. Available with and without positioning boss.

[Type with card detection switch]

- * 2.5mm height, 30mm long, 17.2mm width low-profile and compact type
- * Card insertion detection switch system is a highly reliable complete insertion detecting function that will operate only when the card is inserted and completely installed by the sliding cover.
- * Without positioning boss.

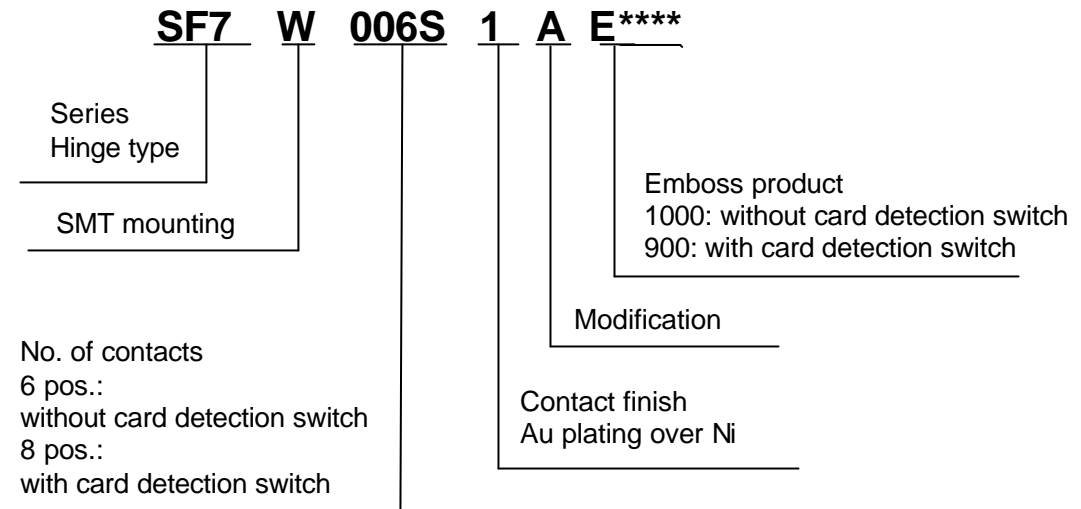
General Specifications

	Without card detection switch	With card detection switch
No. of Contacts	6 pos.	8 pos.
Contact resistance	Signal 100m ohm max.	Signal 100 m ohm max. Switch 200 m ohm max.
Withstanding voltage	500 VAC per minute	500 VAC per minute
Operating temperature	-40°C~+90°C	-40°C~+90°C
Rated current	10uA~1A	10uA~1A
Insulation resistance	Signal C/T: Min. 1000M ohm at DC500V	Signal C/T: Min. 1000M ohm at DC500V Switch C/T: Min. 1000M ohm at DC100V
Life time	5000 times	5000 times

Materials and Finishes

Components	Materials/Finishes	
	Without card detection switch	With card detetion switch
Contact	Copper alloy Contact: Au plating over Ni Terminal: Au flash over Ni	Copper alloy Contact: Au plating over Ni Terminal: Au flash over Ni
Housing	Glass filled LCP	Glass filled LCP
Cover	Glass filled LCP	Glass filled LCP
Switch contact		Copper alloy Contact: Au plating over Ni Terminal: Au flash over Ni
Actuater		Stainless

Ordering Information

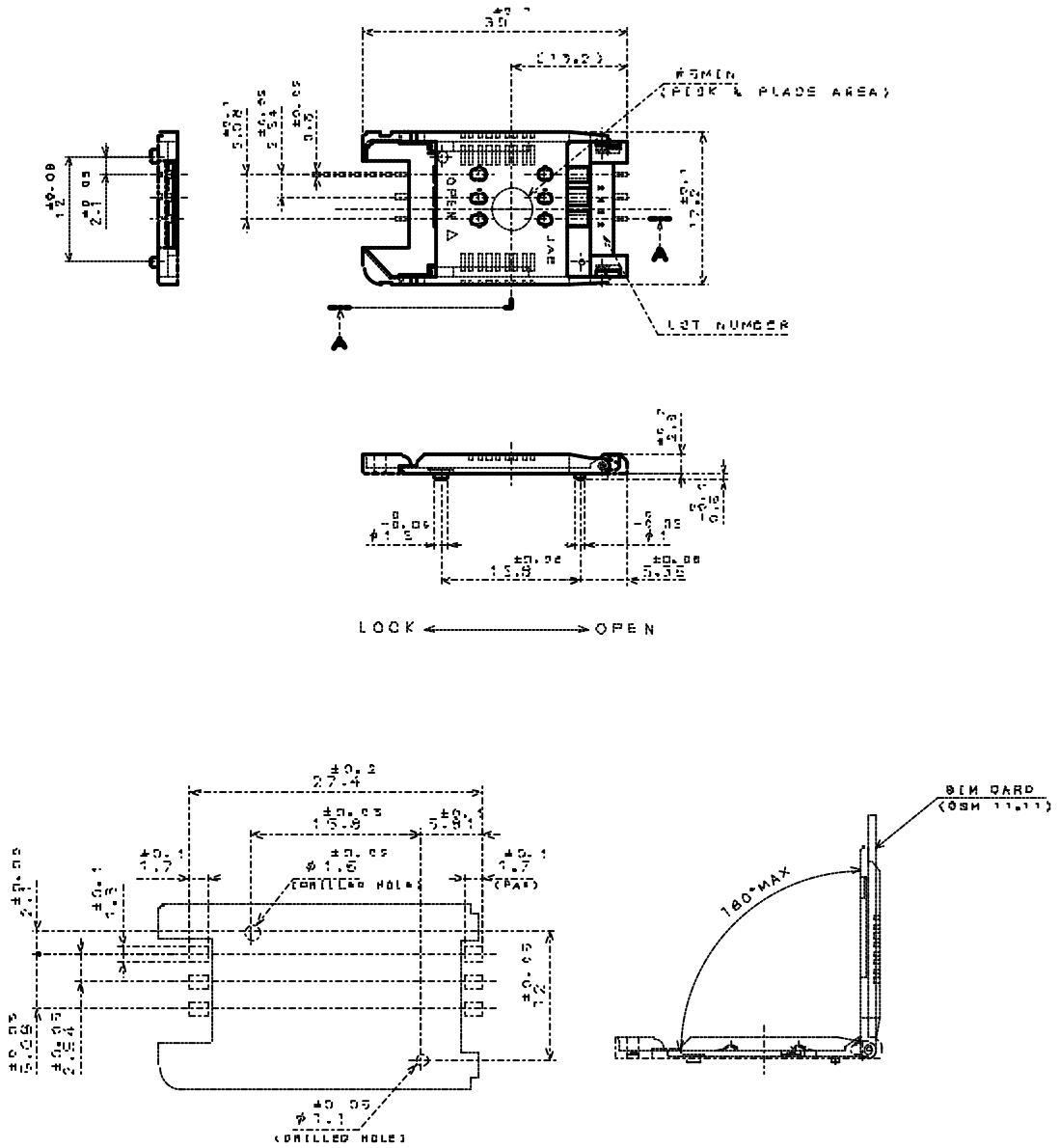


<<Modification>>

Part Number	Positioning boss	Card Detection S/W	Drawing No.	Embossed Products	Specifications
SF7W006S1AE1000	Yes	No	SJ035774	SJ035843	JACS 1661
SF7W006S1BE1000	No	No	SJ036050	SJ036051	JACS 1661
SF7W008S1AE900	No	Yes	SJ036170	SJ036170	JACS 1680

*Supplied by embossed tape and reel package.

SF7W006S1A (without card detection switch,with boss)



APPLICABLE P.C.B. DIMENSION(REF.)
 適用基板寸法(参考)

Note: Dimensions of "without bosses" type are the same as above except:
 Dimensions of boss of the connector and drilled holes of the applicable P.C.B. are deleted.

SF7W008S1A (with card detection switch)

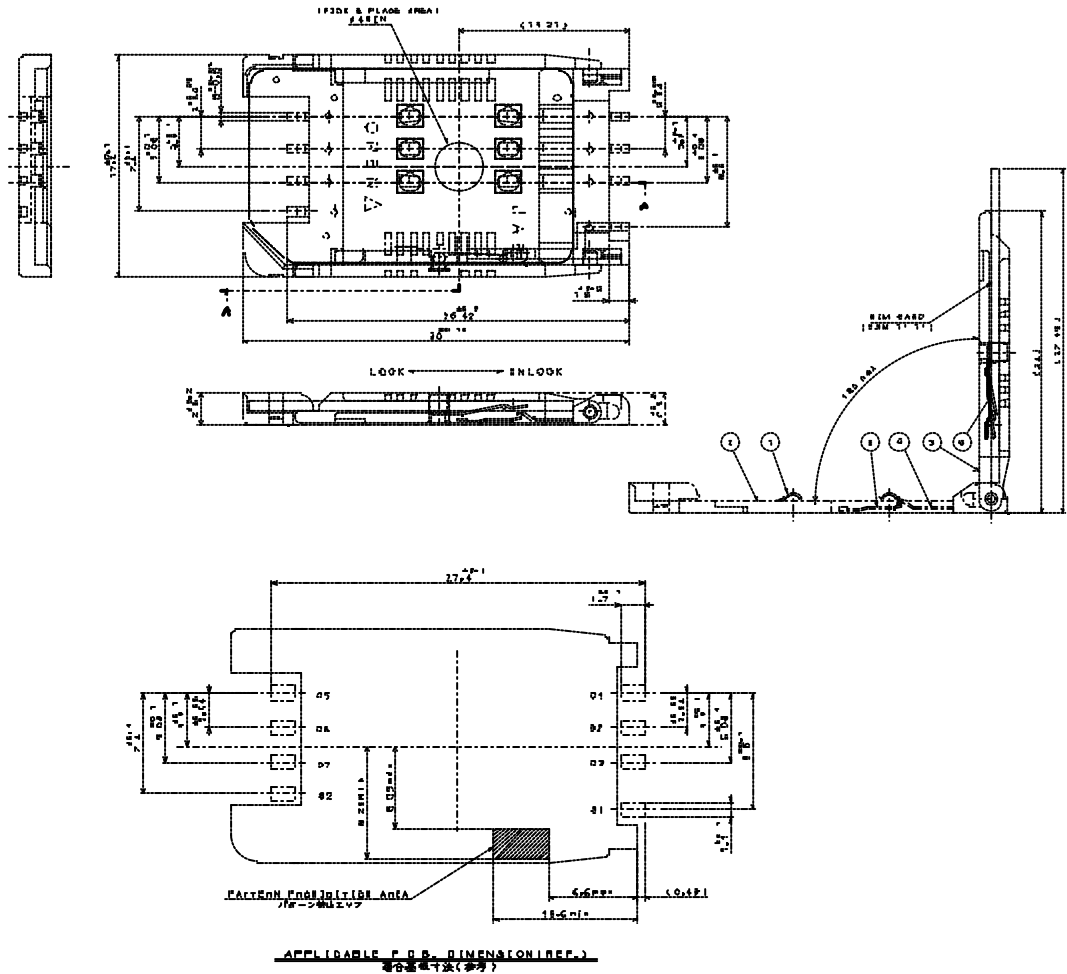
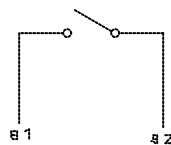


TABLE 1 CARD DETECTION SWITCH
カード検出スイッチ (S1, S2)

	LOCK	UNLOCK
CARD INSERTED カード有	CLOSE	OPEN
NO CARD INSERTED カード無	OPEN	OPEN



Notice: Products shown in this leaflet are made for the applications listed below. However, if the above-mentioned products are to be used in aerospace devices, marine cable-connection devices, atomic power control systems, medical equipment for life-support systems, or any other specific application requiring extremely high reliability, please contact JAE for further information.
Recommended applications: Computers, Office machines, Measuring devices, Telecommunication devices (Terminals, Mobile devices), AV devices, Household applications, FA devices, etc.

Japan Aviation Electronics Industry, Limited

Product Marketing Division
Aobadai Building, 3-1-19, Aobadai, Meguro-ku, Tokyo 153-8539
Phone: +81-3-3780-2787 FAX: +81-3-3780-2946