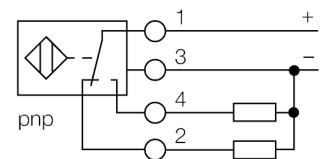


capacitive sensor
BC20-K40SR-VP4X2

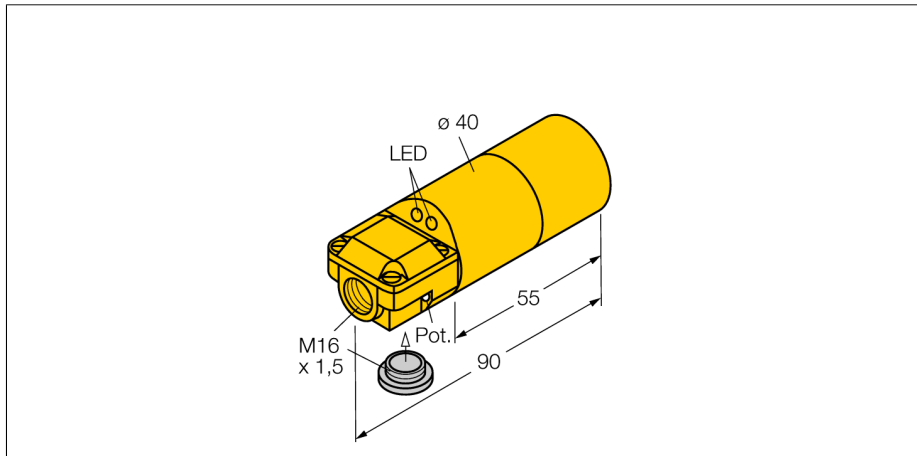
- 2 cable entries (axial, radial)
- Smooth barrel, Ø 40 mm
- Plastic, ABS
- Fine adjustment via potentiometer
- DC 4-wire, 10...65 VDC
- Changeover contact, PNP output
- Terminal chamber

Wiring diagram



Functional principle

Capacitive proximity switches are designed for non-contact and wear-free detection of metal (electrically conductive) and non-metal (electrically non-conductive) objects.



Type	BC20-K40SR-VP4X2
Ident-No.	25100
Rated operating distance Sn	20 mm, flush mounting
Rated operating distance Sn	30 mm, non-flush mounting
Assured sensing range	≤ (0,72 x Sn) mm
Hysteresis	2...20
Temperature drift	≤ ± 20 %
Repeatability	≤ 2 %
Ambient temperature	-25...+70
Operating voltage	10...65
Residual ripple	≤ 10 % U _{SS}
DC rated operational current	≤ 200 mA
No-load current I ₀	≤ 15 mA
Residual current	≤ 0.1 mA
Switching frequency	≤ 0.1 kHz
Rated insulation voltage	≤ 0.5 kV
Output function	4-wire, changover contact, PNP
Short-circuit protection	yes/ cyclic
Voltage drop at I _e	≤ 1.8 V
Wire breakage / Reverse polarity protection	yes/ complete
Design	smooth barrel, 40 mm
Dimensions	90
Housing material	Plastic, ABS
Material active face	Plastic, ABS
Connection	Terminal chamber
Clamping ability	≤ 2.5 mm ²
Vibration resistance	55 Hz (1 mm)
Shock resistance	30 g (11 ms)
Protection class	IP67
Operating voltage	LED green
Switching state	LED yellow
Included in scope of supply	BS40, cable gland, blanking plug
Diameter of the active area B	Ø 40 mm

capacitive sensor
BC20-K40SR-VP4X2

TURCK

Industrial
Automation

Accessories

Type code	Ident-No.	Short text	Dimension drawing
MAP-K40	6950014	Mounting adapter; material: Polypropylene; sensor replacement with filled container possible (adapter remains in container during sensor replacement)	
BS 40	69466	Fixing clamp; material mounting block: PBT	