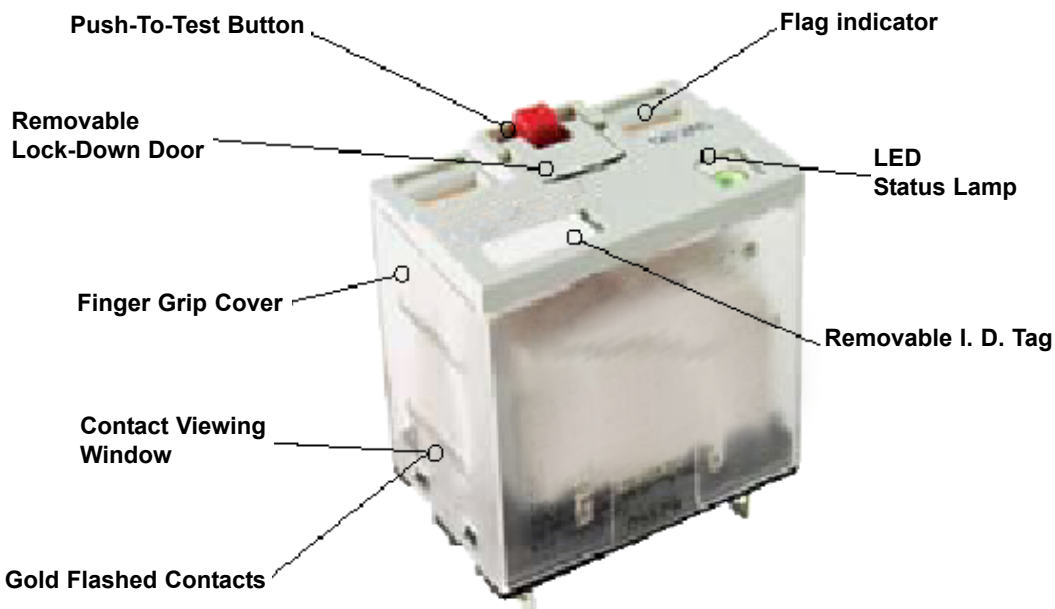


Ice Cube Relays

MCY929 Series



Feature:

- 4PDT, 15 Amperes rating.

General Specifications

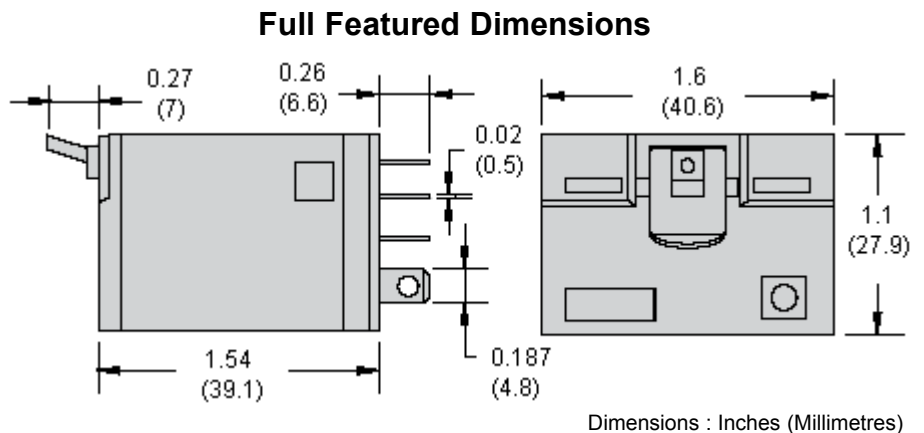
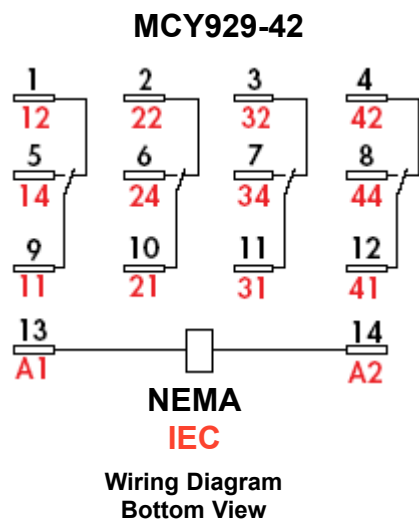
Contact Characteristics		Units	MCY929-42
Number and Type of Contacts	-	-	4PDT
Contact Material	-	-	Silver Alloy
Thermal (Carrying) Current	-	A	15
Maximum Switching Voltage	-	V	300
Switching Current at Voltage	-	Resistive	15 A at 120 V 50 / 60 Hz
	-	Resistive	12 A at 277 V 50 / 60 Hz
	-	Resistive	12 A at 28 V
	-	HP	1/2 at 120 V ac
	-	HP	3/4 at 250 V ac
	-	Pilot Duty	B300
Minimum Switching Requirement	-	mA	100 at 5 V dc (0.5 W)
Coil Characteristics			
Operating Range	% of Nominal	-	85% to 110%
	-	-	80% to 110%
Average Consumption	-	VA	1.5
	-	W	1.5
Drop-out Voltage Threshold	-	-	15%
	-	-	10%
Performance Characteristics			
Electrical Life	Operations at Rated Current	(Resistive)	200,000
Mechanical Life	Unpowered	-	10,000,000
Operating Time (Response Time)	-	ms	20

Ice Cube Relays

MCY929 Series

General Specifications

Performance Characteristics		Units	MCY929-42
Dielectric Strength	Between Coil and Contact	V (rms)	2,500
	Between Poles	V (rms)	2,500
	Between Contacts	V (rms)	2,500
Environment			
Ambient Air Temperature Around the Device	Storage	°C	-40 to +85
	Operation	°C	-40 to +55
Vibration Resistance	Operational	g-n	3, 10 - 55 Hz
Shock Resistance	-	g-n	10
Degree of Protection	-	-	IP 40
Weight	-	g	80



Full Featured



Ice Cube Relays

MCY929 Series



Specification Table

Nominal Voltage	Coil Resistance	4PDT Part Number (Full Feature) 15 Amperes
AC Operated		
24 V ac 50 / 60 Hz	84.5 Ohms	MCY929-42-24 A
120 V ac 50 / 60 Hz	2,220 Ohms	MCY929-42-120 A
240 V ac 50 / 60 Hz	9,120 Ohms	MCY929-42-240 A
DC Operated		
12 V dc	96 Ohms	MCY929-42-12 D
24 V dc	388 Ohms	MCY929-42-24 D
110 V dc	7,340 Ohms	MCY929-42-110 D

Important Notice : This data sheet and its contents (the "Information") belong to the members of the Premier Farnell group of companies (the "Group") or are licensed to it. No licence is granted for the use of it other than for information purposes in connection with the products to which it relates. No licence of any intellectual property rights is granted. The Information is subject to change without notice and replaces all data sheets previously supplied. The Information supplied is believed to be accurate but the Group assumes no responsibility for its accuracy or completeness, any error in or omission from it or for any use made of it. Users of this data sheet should check for themselves the Information and the suitability of the products for their purpose and not make any assumptions based on information included or omitted. Liability for loss or damage resulting from any reliance on the Information or use of it (including liability resulting from negligence or where the Group was aware of the possibility of such loss or damage arising) is excluded. This will not operate to limit or restrict the Group's liability for death or personal injury resulting from its negligence. Multicomp is the registered trademark of the Group. © Premier Farnell plc 2011.