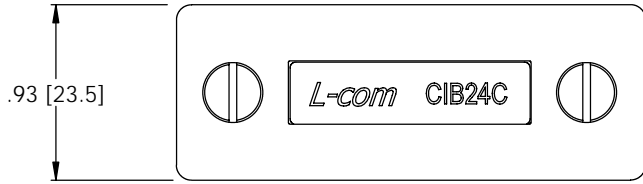
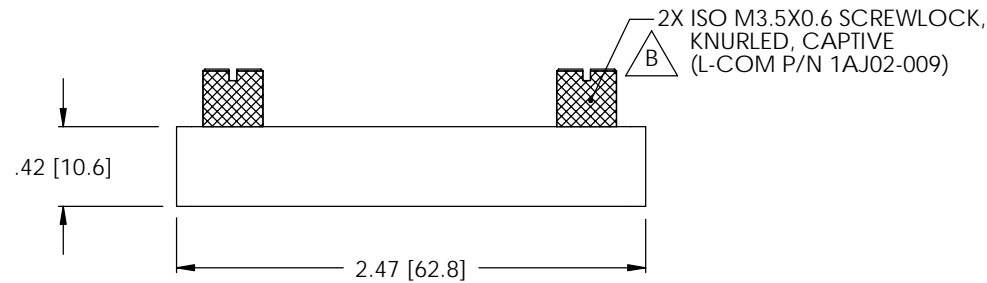


THE INFORMATION CONTAINED IN THIS DRAWING IS THE SOLE PROPERTY OF L-COM, INC. ANY REPRODUCTION IN PART OR WHOLE WITHOUT THE WRITTEN PERMISSION OF L-COM, INC. IS PROHIBITED.

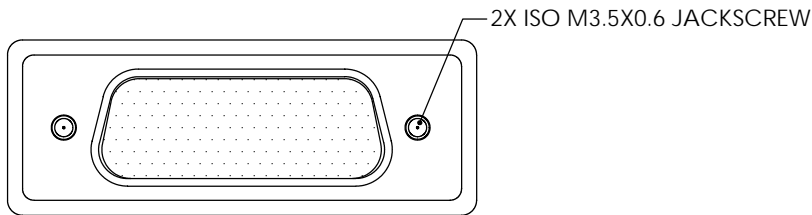
REVISIONS			
REV	DESCRIPTION	DATE	APPROVED
A	RELEASE FOR PRODUCTION	10/26/01	TJC
B	ADDED L-COM P/N TO SCREW DESCRIPTION (ECN #1120)	5/7/02	TJC
.	.	.	.
.	.	.	.



.93 [23.5]

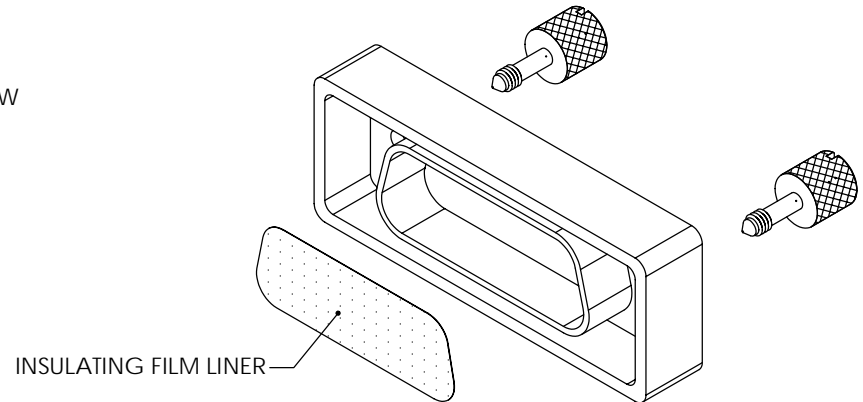


2X ISO M3.5X0.6 SCREWLOCK, KNURLED, CAPTIVE (L-COM P/N 1AJ02-009)



NOTES:

- COVER FITS ALL L-COM FEMALE IEEE-488 CABLE AND ADAPTOR CONNECTORS AND MOST SIMILAR PANEL CONNECTORS.
- MATERIALS:
COVER: DIE-CAST ALUMINUM ALLOY, MATTE NICKEL PLATE FINISH
SCREWS: STEEL, BLACK OXIDE FINISH
INSULATING FILM: POLYESTER
- COVER MAKES CONDUCTIVE CONTACT WITH METAL SHELL OF CONNECTOR FOR EFFECTIVE EMI/RFI SHIELDING.



INSULATING FILM LINER

UNLESS OTHERWISE SPECIFIED, DIMENSIONS ARE IN INCHES. TOLERANCES ARE:
X ± .1
XX ± .05
XXX ± .005
CABLE LENGTH TOLERANCE
<300" ±5% >300" ±2%

APPROVALS	DATE
DRAWN	
TJC	10/22/01
CHECKED	
DFP	10/24/01
APPROVED BY	
CM	10/26/01

CONFIGURATION DETAILS OF UNDIMENSIONED FEATURES MAY VARY

L-com 45 BEECHWOOD DRIVE
CONNECTIVITY PRODUCTS NORTH ANDOVER, MA 01845

PRODUCT DESCRIPTION
IEEE-488 ACCESSORIES

DRAWING TITLE
OUTLINE DRAWING

SIZE	FSCM NO.	DWG. NO.	REV.
A	43321	CIB24C-OD1	B
SCALE 1:1	CAD FILE: CIB24C-OD1.SLDDRW	SHEET 1 OF 1	