



- Low Cost
- 12, 24 or 48V Outputs
- Wide Range AC Input
- Parallel Function Switch
- -40°C to +71°C Operation

## Key Market Segments & Applications

Industrial Controls:	Motor Control Systems
Factory Automation:	Process Control, Automotive,
Test & Measurement:	Chemical Processing
	Burn in & Test,
	Instrumentation Measurement

# DPP120 & 240 Series

120W & 240W Single Output DIN Rail Mount Power Supplies

## DPP120 & 240 Features and Benefits

### Features

- PFC Compliant to EN61000-3-2
- UL508 Approvals
- TS35/7.5 or TS35/15 DIN Rail Mounting

### Benefits

- Supports Global Use
- Easier System Configuration
- Easy System Integration

## Specifications

MODELS		DPP120	DPP240
ITEMS			
AC Input Voltage range	VAC	90 - 132/186-264VAC (auto select)	
Input Frequency	Hz	47 - 63Hz	
DC Input Voltage range	VDC	210 - 370VDC	
Inrush Current (115 / 230VAC)	A	24/48A	30/60A
Power Factor	-	typ 0.7 at 230VAC input	
Input Current (115/230VAC)	A	2.8/1.4A	5.4/2.2A
Output Voltage	V	12 , 24 or 48V	24 or 48V
Output Voltage Accuracy	%	-0, +1% of Nominal	
Line Regulation	%	±0.5%	
Load Regulation	%	±1% Single Mode ±5% Parallel Mode	
Ripple and Noise (20MHz BW)	mV	<50mV	<100mV
Overcurrent Protection (Typ)	-	120 - 145%	
Overvoltage Protection	V	120 - 145%	
Hold Up Time (230VAC input)	ms	>30 ms	
Efficiency (typ)	%	84 - 90% (see table)	
Parallel Operation (1)	-	Up to 3 units	
LED Indicators	-	Green LED = On, Red LED = DC Output Low	
DC Good Relay (24V model only)		-0.3A rated normally open relay contacts, closes when output is above 17.6 - 19.4V	
Operating Temperature	-	-40°C to +71°C (Derate linearly 2.5% per °C from 61°C to 71°C)	
Storage Temperature (2)	-	-40°C to +85°C	
Operating Humidity	-	20 - 95% RH (non condensing)	
Cooling (1)	-	Convection	
Withstand Voltage	-	Input to Output 3kVAC for 1 min.	
Isolation Resistance	Ω	>100MΩ at 25°C & 70%RH, Output to Ground 500VDC	
Vibration (Operating)		IEC 60068-2-6 (Mounting by rail: Random wave, 10-500 Hz, 2G, ea. along X, Y, Z axes 10 min/cycle, 60 min)	
Shock (Operating)		IEC 60068-2-27 (Half sine wave, 4G, 22ms, 3 axes, 6 Faces, 3 times for each face)	
Safety Agency Approvals	-	UL508 Listed, UL60950-1, EN60950-1, CE	
Conducted & Radiated EMI	-	EN55022 class B	
Weight (Typ)	g	920	1000
Size (HxWxD)	mm	125 x 63.5 x 123.6	125 x 83 x 126
Case material	-	Metal	
Warranty	yrs	2	

Notes: (1) Recommend 1° clearance on all sides (2) DPP120 -35°C

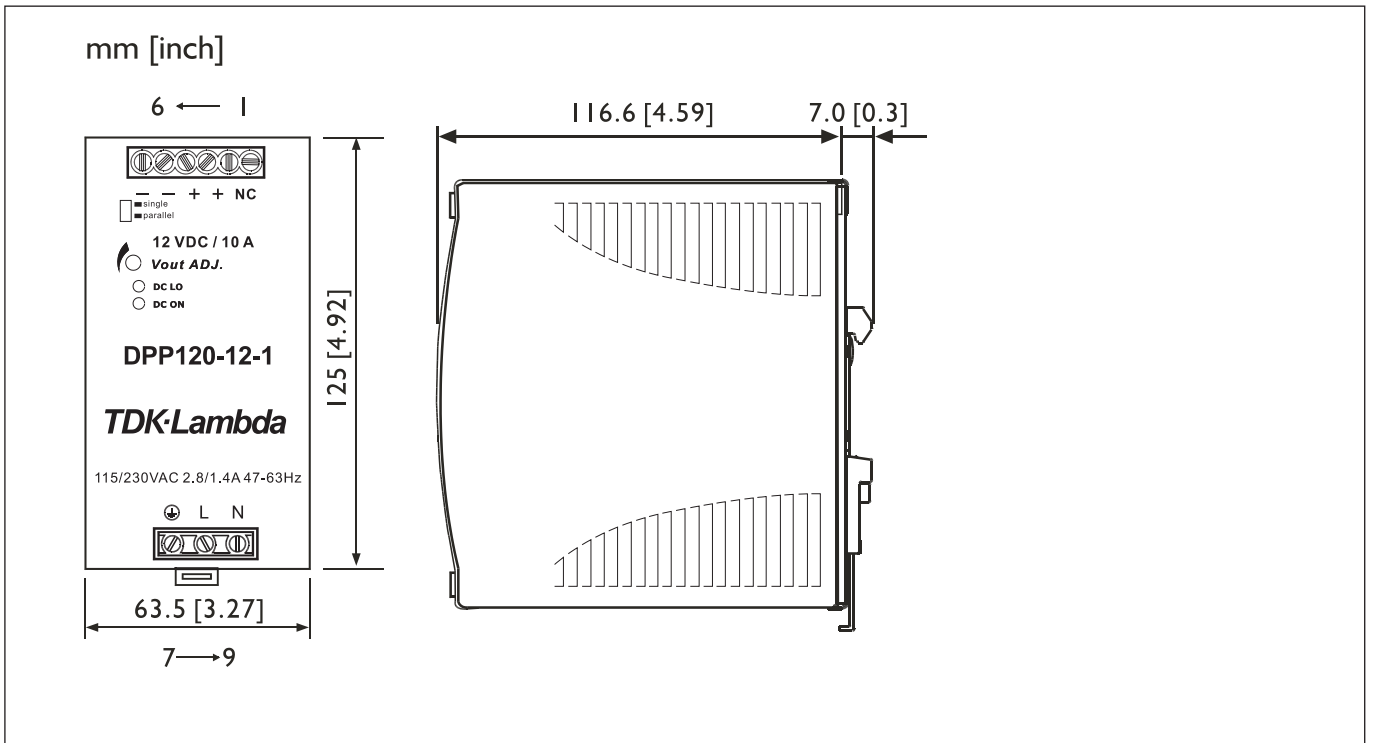
**Notes:** (1) For parallel operations a minimum 10% load is required - loading conditions 0.1Io min to 0.9Io max

<b>Model Selector</b>					
<b>Model</b>	<b>Voltage (V)</b>	<b>Voltage Adjust (V)</b>	<b>Current (A)</b>	<b>Power (W)</b>	<b>Effic. (typ) %</b>
DPP120-12	12	11.4 - 14.5	10	120	84
DPP120-24	24	22.5 - 28.5	5	120	86
DPP120-48	48	45 - 55	2.5	120	87
DPP240-24	24	22.5 - 28.5	10	240	89
DPP240-48	48	47 - 56	5	240	90

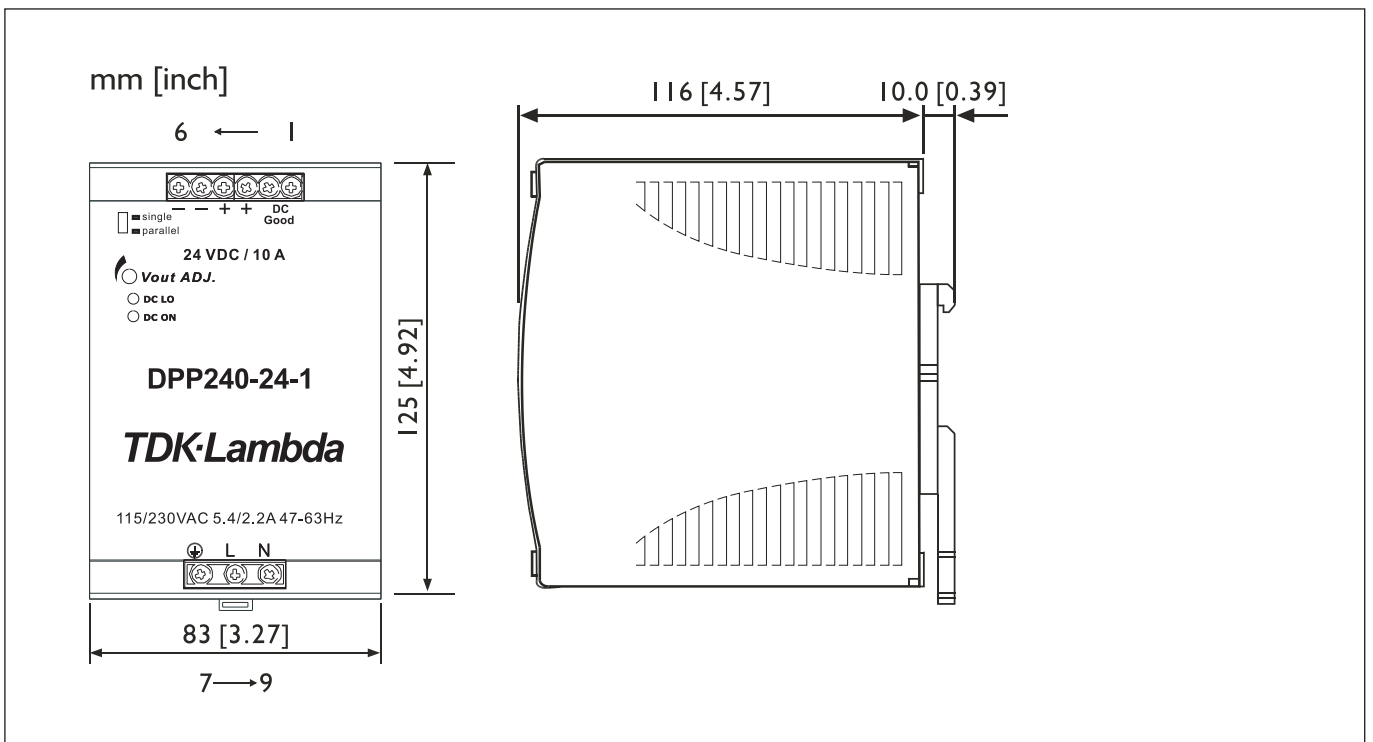
For plug type connectors add suffix 'B' to part number

<b>PIN Assignments</b>	
<b>Pin#</b>	<b>Function</b>
1	DC Good Relay
2	DC Good Relay
3	V+
4	V+
5	V-
6	V-
7	GND
8	L
9	N

## Outline Drawing DPP120



## Outline Drawing DPP240



**TDK-LAMBDA EMEA**

[www.emea.tdk-lambda.com](http://www.emea.tdk-lambda.com)



**TDK-Lambda France SAS**

Route de Grivery  
ZAC des Delaches  
CS 41077  
91978 Courtaboeuf Cedex  
France  
Tel: +33 1 60 12 71 65  
Fax: +33 1 60 12 71 66  
[france@fr.tdk-lambda.com](mailto:france@fr.tdk-lambda.com)  
[www.fr.tdk-lambda.com](http://www.fr.tdk-lambda.com)



**Italy Sales Office**  
Via dei Lavoratori 128/130  
20092 Cinisello Balsamo (MI)  
Italy  
Tel: +39 02 61 29 38 63  
Fax: +39 02 61 29 09 00  
[info.italia@it.tdk-lambda.com](mailto:info.italia@it.tdk-lambda.com)  
[www.it.tdk-lambda.com](http://www.it.tdk-lambda.com)



**TDK-Lambda Germany GmbH**

Karl-Bold-Strasse 40  
77855 Achern  
Germany  
Tel: +49 7841 666 0  
Fax: +49 7841 5000  
[info.germany@de.tdk-lambda.com](mailto:info.germany@de.tdk-lambda.com)  
[www.de.tdk-lambda.com](http://www.de.tdk-lambda.com)



**Austria Sales Office**  
Aredstrasse 22  
2544 Leobersdorf  
Austria  
Tel: +43 2256 655 84  
Fax: +43 2256 645 12  
[info.germany@de.tdk-lambda.com](mailto:info.germany@de.tdk-lambda.com)  
[www.de.tdk-lambda.com](http://www.de.tdk-lambda.com)



**TDK-Lambda UK Ltd.**

Kingsley Avenue  
Ilfracombe  
Devon EX34 8ES  
United Kingdom  
Tel: +44 (0) 12 71 85 66 66  
Fax: +44 (0) 12 71 86 48 94  
[powersolutions@uk.tdk-lambda.com](mailto:powersolutions@uk.tdk-lambda.com)  
[www.uk.tdk-lambda.com](http://www.uk.tdk-lambda.com)



**Nemic Lambda Ltd.**

Kibbutz  
Givat Hashlosha 48800  
Israel  
Tel: +9 723 902 4333  
Fax: +9 723 902 4777  
[info@nemic.co.il](mailto:info@nemic.co.il)  
[www.nemic.co.il](http://www.nemic.co.il)



**Russia**

Technical Support:  
St Petersburg  
Tel: +7 (812) 6580463  
Sales:  
Moscow  
Tel: +7 (499) 7557732  
[info@tdk-lambda.ru](mailto:info@tdk-lambda.ru)  
[www.tdk-lambda.ru](http://www.tdk-lambda.ru)

**LOCAL DISTRIBUTION**

