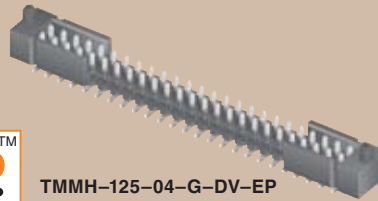


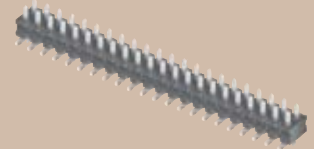


(2,00mm) .0787"

TMMH SERIES



TMMH-125-04-G-DV-EP



TMMH-122-04-T-DV-LC

FLEXIBLE SMT HEADER

SPECIFICATIONS

For complete specifications and recommended PCB layouts see www.samtec.com?TMMH

Insulator Material: Black Liquid Crystal Polymer
Terminal Material: Phosphor Bronze
Plating: Sn or Au over 50µ" (1,27µm) Ni
Operating Temp Range: -55°C to +105°C with Tin; -55°C to +125°C with Gold
Voltage Rating: 500 VAC mated with SQW
RoHS Compliant: Yes



AMBIENT TEMP	CURRENT RATING	
	Mated with	
	ESQT	SQW
20°C	5.8A	5A
40°C	5.1A	4.6A
60°C	4.5A	4A
95°C	2.9A	2.6A

6 POSITIONS (2x3) POWERED

Processing: Lead-Free Solderable: Yes
SMT Lead Coplanarity: (0,10mm) .004" max

2mm TMMH/CLT	Rated @ 3dB Insertion Loss
4,77mm Stack Height	
Single-Ended Signaling	5.5 GHz / 11 Gbps
Differential Pair Signaling	6.5 GHz / 13 Gbps

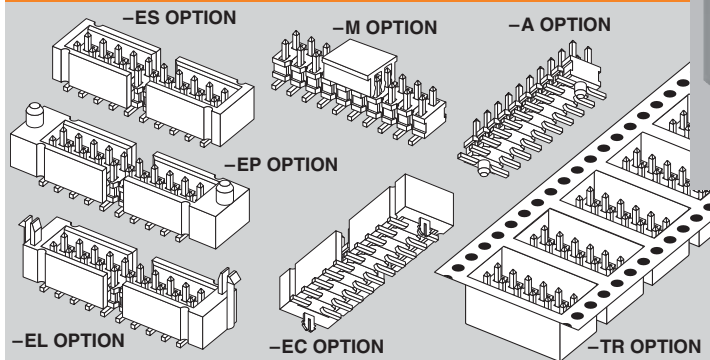
Performance data for other stack heights and complete test data available at www.samtec.com?TMMH or contact sig@samtec.com.

Note: Other Gold plating options available. Contact Samtec.

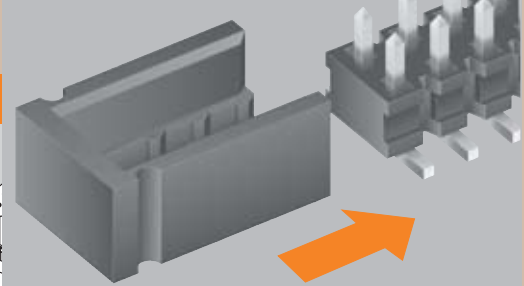
Note: Some lengths, styles and options are non-standard, non-returnable.

Mates with: CLT, SQT, SQW, ESQT, TLE, SMM, MMS, TCSD

OPTIONS



FLEX SHROUD



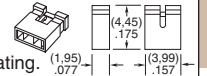
ALSO AVAILABLE

Through-Hole



2mm Shunt

Specify 2SN-BK-G for 2mm shunt with Gold plating.



TMMH

1

NO. PINS PER ROW

LEAD STYLE

PLATING OPTION

03 thru 50

Specify LEAD STYLE from chart

OPTION	Z
-ES	(2,92) .115
-EC	(4,70) .185
-EP & -EPC	(6,10) .240
-EL & -EBC	(4,45) .175

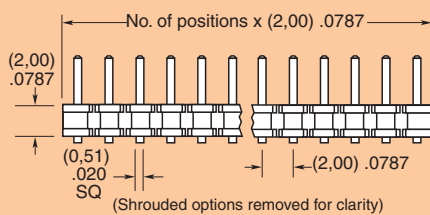
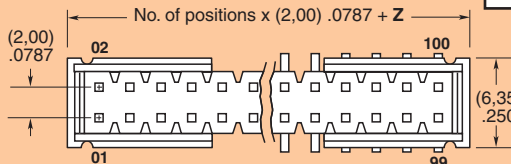
LEAD STYLE	A	MATES WITH
-01	(3,20) .126	SQT, SQW, ESQT, TLE, SMM, MMS, TCSD
-04	(1,91) .075	CLT
-05	(1,65) .065	

-F
= Gold flash on post, Matte Tin on tail

-L
= 10µ" (0,25µm) Gold on post, Matte Tin on tail

-G
= 20µ" (0,51µm) Gold on post, Gold flash on tail

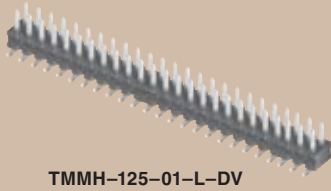
-T
= Matte Tin



Due to technical progress, all designs, specifications and components are subject to change without notice.

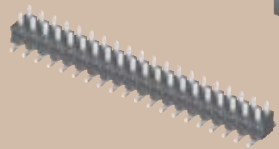
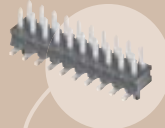
WWW.SAMTEC.COM

TMMH-116-04-G-DV-EL

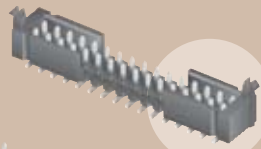


TMMH-125-01-L-DV

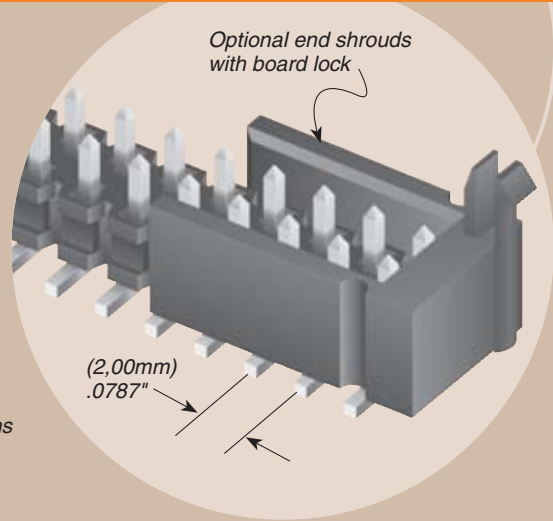
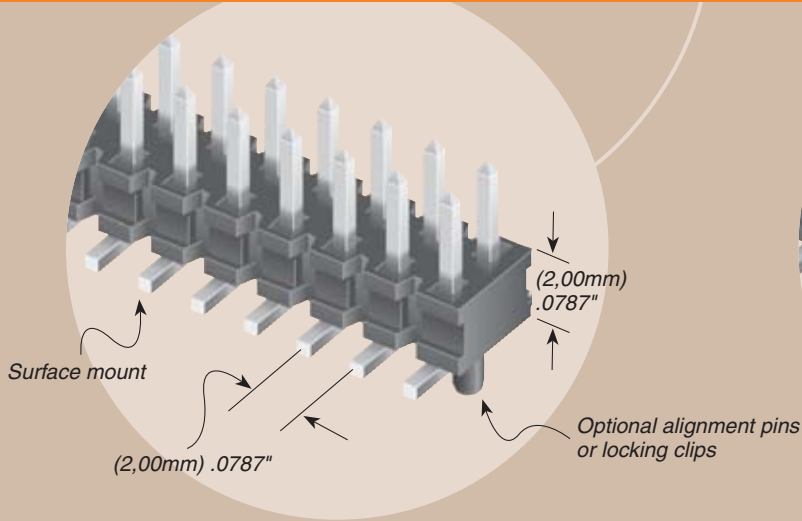
TMMH-110-01-T-DV-A



TMMH-120-04-T-DV



TMMH-110-04-G-DV



DV

FLEX SHROUD OPTIONS

OTHER OPTIONS

All Flex Shroud options require 9 pins/row minimum (For board-to-board interfaces. Will not mate with TCSD)

-ES

= End Shroud
(For best cost also see TSH Series)

-EC

= End Shroud with Locking Clip
(For best cost also see TSH Series)
(Manual placement required)

-EP

= End Shroud with Guide Post

-EL

= End Shroud with Board Lock
(Boards are positively locked and cannot be unmated)

-EBC

= End Shroud with Board Lock and Locking Clip
(Boards are positively locked and cannot be unmated)

-EPC

= End Shroud with Guide Post and Locking Clip
(Manual placement required)

-“XXX”
= Polarized Position. Specify position of omitted pin

-A

= Alignment Pin
(3 positions minimum)
(N/A with -LC)

-LC

= Locking Clip
(5 positions minimum)
(N/A with -A)
(Manual placement required)

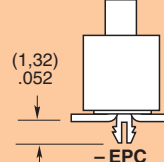
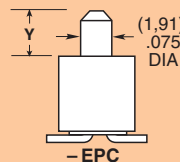
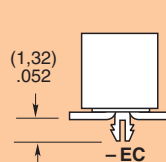
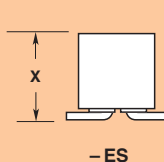
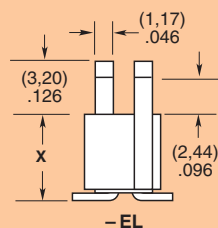
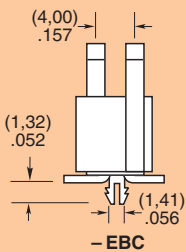
-M

= Pick & Place Pad
(5 positions minimum)
(N/A with -T plating)

-TR

= Tape & Reel Packaging
(Flex Shroud options not available except -ES, -EP & -EL)

LEAD STYLE	X	Y
-01	(5,84) .230	(4,45) .175
-04 & -05	(4,50) .177	(3,02) .119



TAPE & REEL AVAILABILITY

No tooling charges.
Minimum order is the lesser of a full reel quantity or 125 pieces.
Order any quantity above minimum.
In-house design, manufacture.
Quick turn-around.

Call Samtec for specifications and ordering information.

Due to technical progress, all designs, specifications and components are subject to change without notice.

WWW.SAMTEC.COM