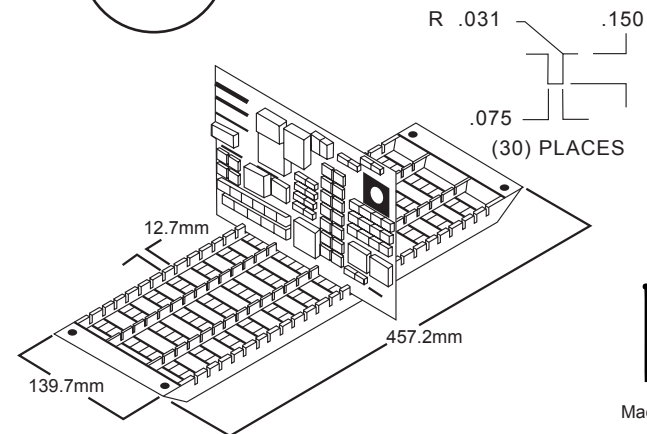
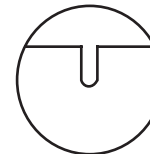
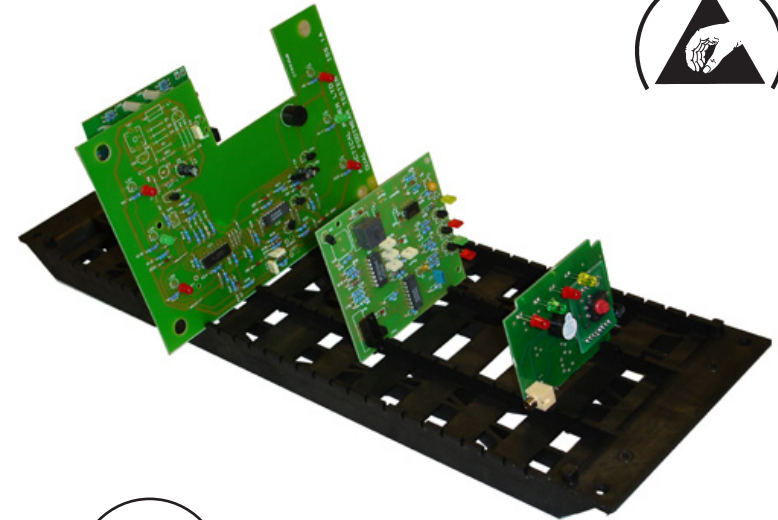


- A. This Vermason PCB rack is moulded from a conductive thermoplastic compound based on polypropylene copolymer with carbon black and reinforced with mica flake.
- B. Narrow, shallow slot is ideal for holding dense boards with components near the edge.
- C. Recommended maximum operating temperature is 85°C.
- D. Open carrying handles.
- E. Measurements: 140mm x 465mm.
- F. Weight: 0.4kg.
- G. 30 slots measure 1.875mm x 3.75mm on a 12.5mm pitch.

“Tools intended for use within the EPA [ESD protected area] shall, as far as is practicable, be so constructed that they do not generate or hold an electrostatic charge ....All tools and machinery, for example electrical, mechanical or pneumatic, shall be so constructed that any non-insulating part of the tool or machine which may touch an ESDS [ESD sensitive items] shall be at EPA ground potential.” [EN 61340-5-1 clause 5.2.10 Tools, machinery, dispensers and test equipment]



Properties		UNIT	TEST METHOD
<b>Electrical Properties</b>			
Surface Resistance	<10E4	Ohms/square	ASTM D-257
Volume Resistance	<10E5	Ohms-cm	ASTM D-257
<b>Mechanical Properties</b>			
Tensile Strength @ Break	3000 (21)	psi (MPa)	ASTM D-638
Tensile Elongation @ Break	9-12	%	ASTM D-638

ITEM	DESCRIPTION
237230	Conductive PCB Rack, 140mm x 465mm, SMT

### Conductive PCB Rack, 140mm x 465mm, SMT



VERMASON  
 UNIT C, 4TH DIMENSION, FOURTH AVENUE, LETCHWORTH, HERTS, SG6 2TD UK  
 PHONE: +44 (0) 1462-672005, FAX: +44 (0) 1462-670440  
 E-MAIL: [Service@Vermason.co.uk](mailto:Service@Vermason.co.uk), INTERNET: [Vermason.co.uk](http://Vermason.co.uk)

Drawing Number  
**237230**

DATE:  
**February 2009**