

UTGW - SEALOK

New

Plastic high density connector with metal coupling

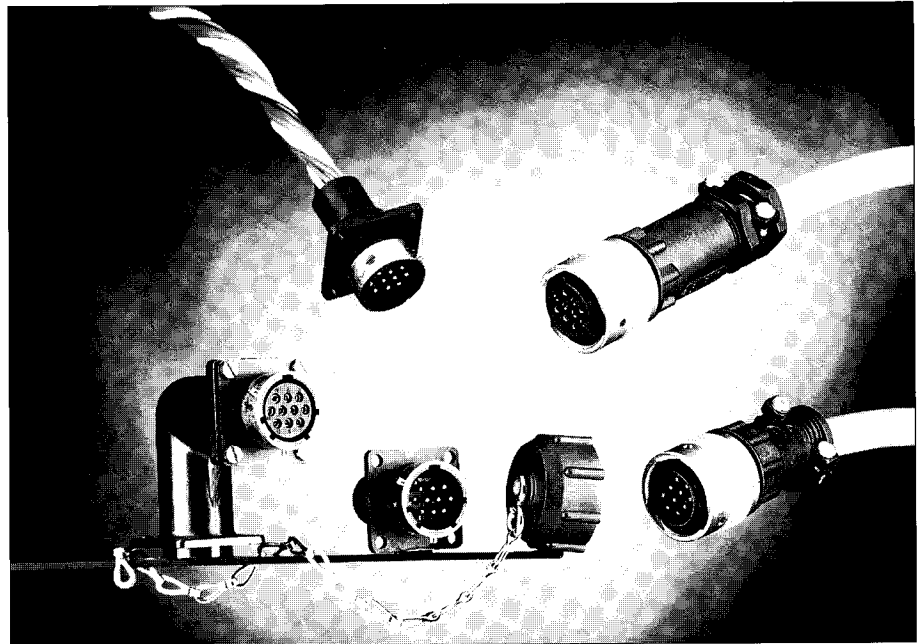
Intermateable with MIL-C-26482
VG-95328
62GB

Description

"UTGW" SEALOK industrial circular connectors are a range of multiway connectors, using N°20 SM-W/SC-W SEALOK contacts with a pin diameter of .040" (1.0mm). This high density connector provides the complete answer to the need for lightweight, robust and economical circular connectors intermateable, interchangeable and intermountable with MIL-C-26482 Series I, 62GB and VG-95328 connectors.

Features and benefits

- Available in 7 shell sizes and 7 insert arrangements.
- Intermateable with MIL-C-26482 series I, 62GB and VG-95328 connectors.
- Plastic connector with metal coupling system.
- Available in cable plug, wall mounting receptacle and free hanging receptacle versions for both male and female contacts.
- Connectors and accessories are moulded from highly durable glass-filled thermoplastic.
- Flammability rating: UL94-V0.
- Bayonet ring:
 - Metal wave spring loaded.
 - Locks with audible positive "click"
- Interfacial seal on pin mating face for the ultimate in environmental protection.
- Interfacial seals have silkscreened cavity marking.



UTGW

Performance characteristics

Operating temperature:	-55°C to +125°C
Insulation resistance:	5000 MΩ min.
Test potential:	2000 V RMS
Durability:	500 matings and unmatings.
Vibration resistance:	Per MIL-STD1344A Method 2004, Condition III
Thermal shock:	Per MIL-STD1344A Method 2005, Condition A
Salt spray:	Per MIL-STD1344A Method 1001, 48 hrs (mated)
Degree of protection per DIN 40050: IP67 in mated condition used with UTG-ST + UTG-PG cable clamp	

Construction

Connector body	Glass filled thermoplast UL94-V0 Colour: black
Interfacial seal:	Neoprene rubber
Coupling ring:	Nickel plated brass
Tri-lock pins:	Stainless steel
Coupling spring:	Spring steel

Contact accommodation

- "UTGW" connectors only accept SEALOK crimp type removable snap-lock SM-W / SC-W contacts (see contacts section)
- Contacts to be ordered separately.

How to order

Connector family	UTGW	0	14	19	P	1	B
	UTGW	6	14	19	S	1	B

Body variation: 0 : Wall mounting receptacle
6 : Cable plug
1 : Free hanging receptacle

Shell size:

Insert arrangements:

Type of contacts: P : Pin contacts
S : Socket contacts

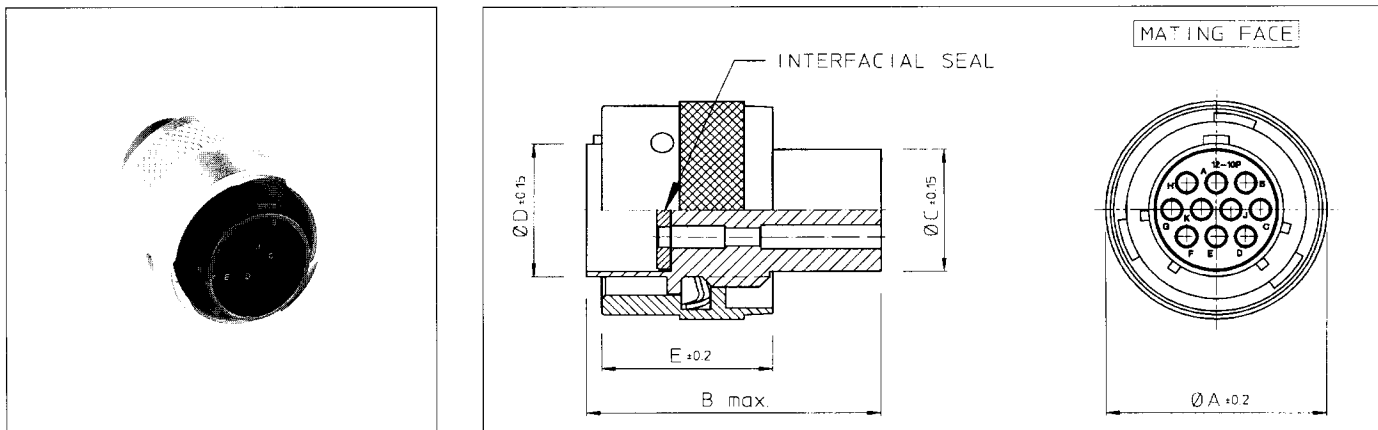
Design variation: 1 : Interfacial sealing

Packing: No letter: Standard version: Each connector individually packed in plastic bag
B: Bulk packing per qty of 100 pcs

UTGW - SEALOK

New

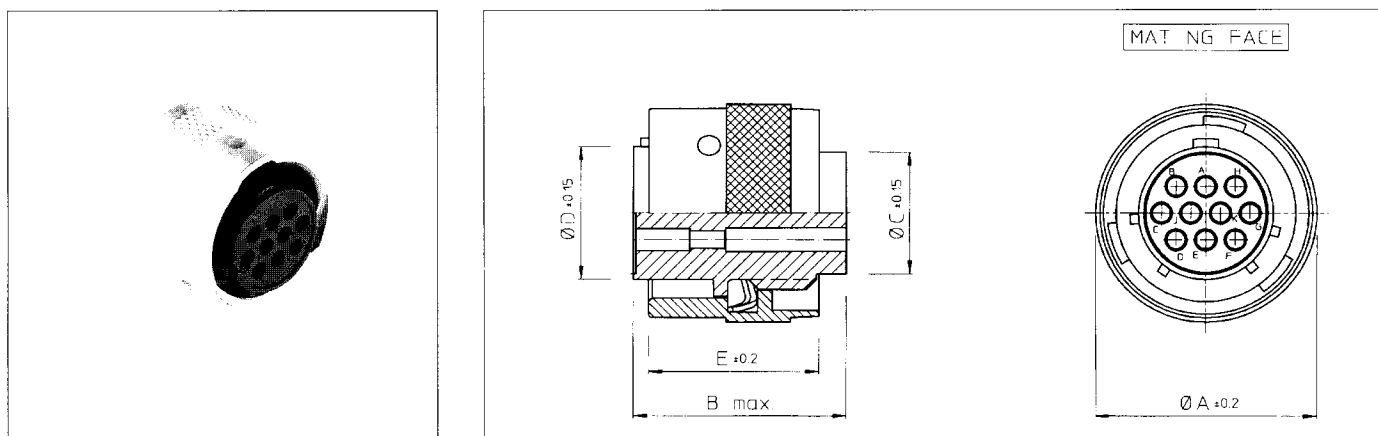
Cable plug for pin contacts (UTGW6- - - -P1)



Part number	Shell size	Ø A ±0.2	B Max.	Ø C ±0.15	Ø D ±0.15	E ±0.2
UTGW6106P1	10	21.6	31.8	10.9	12.2	19.1
UTGW61210P1	12	24.8		13.8	15.1	
UTGW61419P1	14	28.0		17.0	18.3	
UTGW61626P1	16	31.2		19.9	21.5	
UTGW62041P1	20	37.5		25.6	27.2	
UTGW62255P1	22	40.7		26.5	30.4	
UTGW62461P1	24	43.9		31.7	33.5	

For bulk packing (qty 100 pcs) add B at the end of cat. Nr. eg. UTGW61419P1B

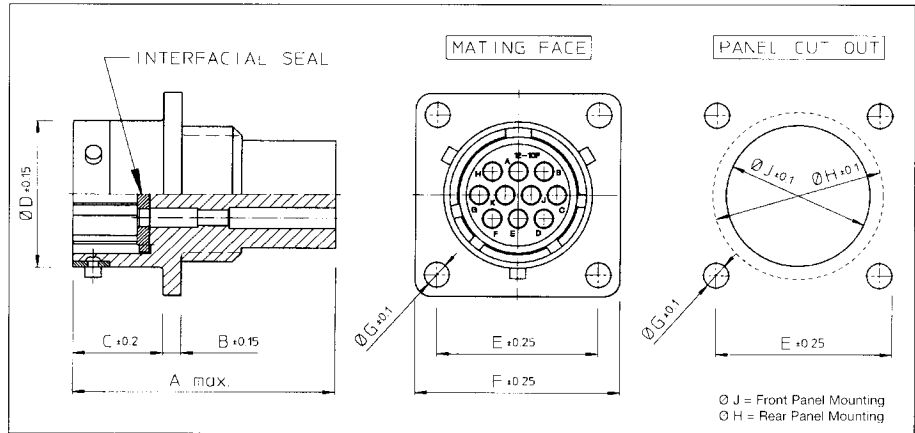
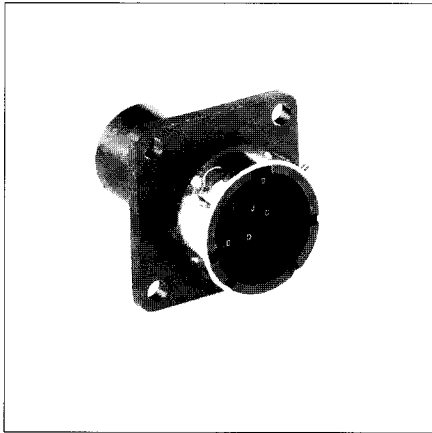
Cable plug for socket contacts (UTGW6- - - -S1)



Part number	Shell size	Ø A ±0.2	B Max.	Ø C ±0.15	Ø D ±0.15	E ±0.2	
UTGW6106S1	10	21.6	23.7	10.9	12.2	19.1	
UTGW61210S1	12	24.8		13.8	15.1		
UTGW61419S1	14	28.0		17.0	18.3		
UTGW61626S1	16	31.2		19.9	21.5		
UTGW62041S1	20	37.5		24.9	25.6		27.2
UTGW62255S1	22	40.7		26.5	30.4		
UTGW62461S1	24	43.9		26.2	31.7		33.5

For bulk packing (qty 100 pcs) add B at the end of cat. Nr. eg. UTGW61419S1B

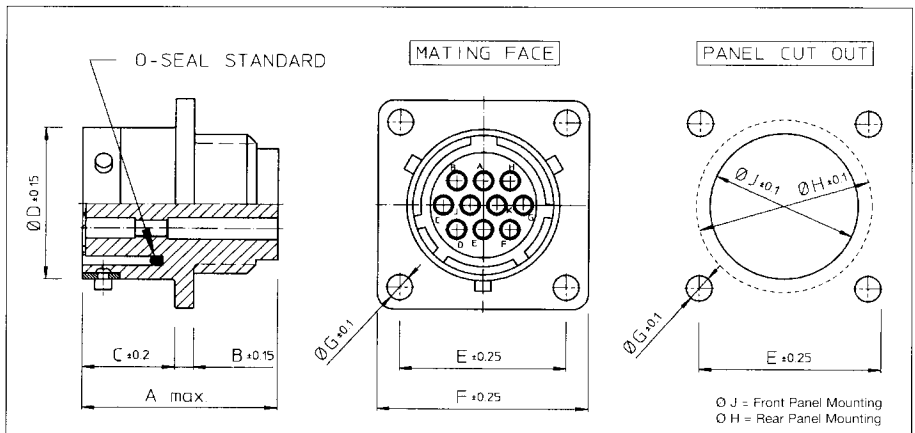
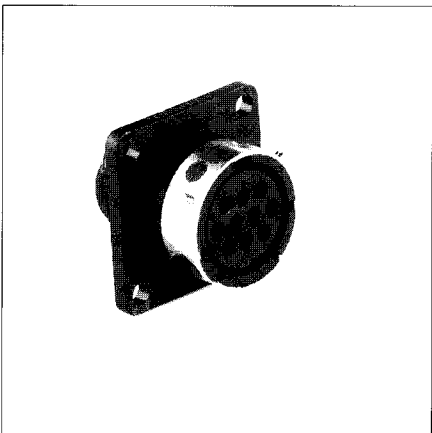
Wall mounting receptacle for pin contacts (UTGW0- - -P1)



Part number	Shell size	A max.	B ±0.15	C ±0.2	Ø D ±0.15	E ±0.25	F ±0.25	Ø G ±0.1	Ø H ±0.1	Ø J ±0.1
UTGW0106P1	10	31.7	2.3	11.3	15.0	18.3	23.8	3.2	17.3	15.1
UTGW01210P1	12				19.0	20.6	26.2		21.8	18.2
UTGW01419P1	14				22.2	23.0	28.6		25.0	21.4
UTGW01626P1	16				25.3	24.6	31.0		28.1	24.6
UTGW02041P1	20	33.3	3.5	14.5	31.7	29.4	36.5	3.9	34.5	30.9
UTGW02255P1	22			34.9	31.8	39.7	37.7		34.1	
UTGW02461P1	24			15.3	38.0	34.9	42.9		40.9	37.3

For bulk packing (qty 100 pcs) add B at the end of cat. Nr. eg. UTGW01419P1B

Wall mounting receptacle for socket contacts (UTGW0- - -S1)



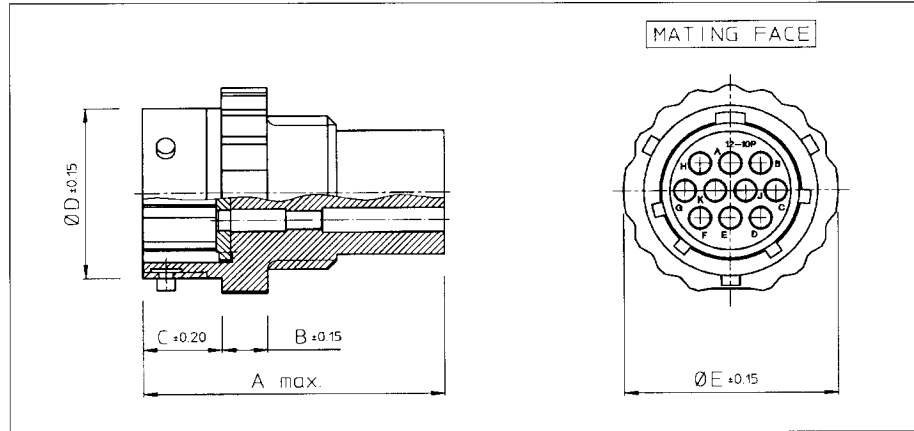
Part number	Shell size	A max.	B ±0.15	C ±0.2	Ø D ±0.15	E ±0.25	F ±0.25	Ø G ±0.1	Ø H ±0.1	Ø J ±0.1
UTGW0106S1	10	24.3	2.3	11.3	15.0	18.3	23.8	3.2	17.3	15.1
UTGW01210S1	12				19.0	20.6	26.2		21.8	18.2
UTGW01419S1	14				22.2	23.0	28.6		25.0	21.4
UTGW01626S1	16				25.3	24.6	31.0		28.1	24.6
UTGW02041S1	20	27.0	3.5	14.5	31.7	29.4	36.5	3.9	34.5	30.9
UTGW02255S1	22	28.0		34.9	31.8	39.7	37.7		34.1	
UTGW02461S1	24	30.4		15.3	38.0	34.9	42.9		40.9	37.3

For bulk packing (qty 100 pcs) add B at the end of cat. Nr. eg. UTGW01419S1B

UTGW - SEALOK

New

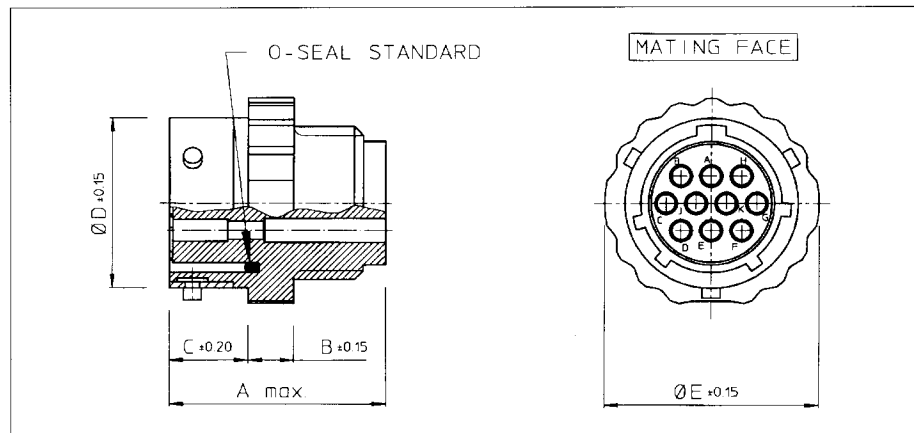
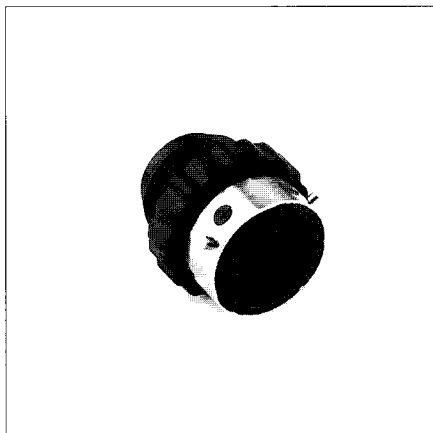
Free hanging receptacle for pin contacts (UTGW1- - -P1)



Part number	Shell size	A Max.	B ± 0.15	C ± 0.2	$\varnothing D \pm 0.15$	$\varnothing E \pm 0.15$
UTGW1106P1	10	31.7	5.0	8.65	15.0	19.5
UTGW11210P1	12				19.0	23.5
UTGW11419P1	14				22.2	27.0
UTGW11626P1	16				25.3	30.0
UTGW12041P1	20	33.3		12.05	31.7	36.5
UTGW12255P1	22			34.9	39.5	
UTGW12461P1	24			13.85	38.0	42.5

For bulk packing (qty 100 pcs) add B at the end of cat. Nr. eg. UTGW11419P1B

Free hanging receptacle for socket contacts (UTGW1- - -S1)



Part number	Shell size	A Max.	B ± 0.15	C ± 0.2	$\varnothing D \pm 0.15$	$\varnothing E \pm 0.15$
UTGW1106S1	10	24.3	5.0	8.65	15.0	19.5
UTGW11210S1	12				19.0	23.5
UTGW11419S1	14				22.2	27.0
UTGW11626S1	16				25.3	30.0
UTGW12041S1	20	25.9		12.05	31.7	36.5
UTGW12255S1	22			34.9	39.5	
UTGW12461S1	24			13.85	38.0	42.5

For bulk packing (qty 100 pcs) add B at the end of cat. Nr. eg. UTGW11419S1B

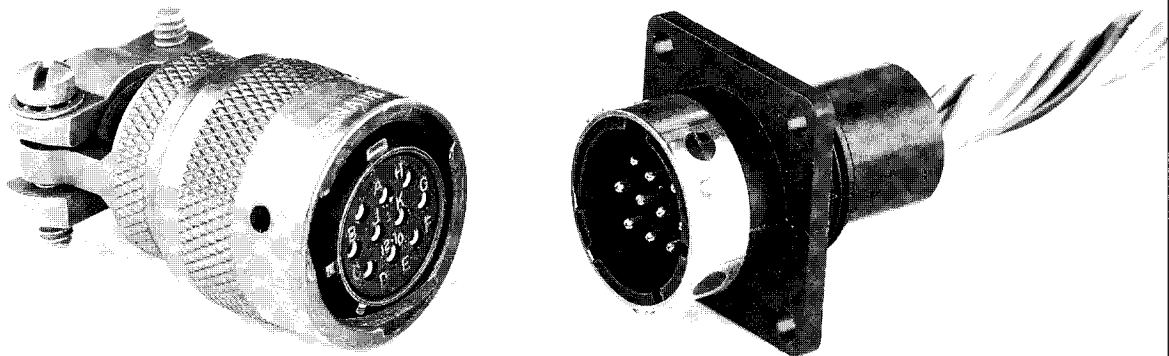
UTGW - SEALOK

New

Interchangeability and cross reference list SEALOK versus MIL-C-26482 series 1

Sealok P/N	Description	Interchangeability with	
		Crimp 26482 S1	Solder 26482 S1
UTGW6106P1	Cable plug for pin contacts	MS3126*106P	MS3116*610P
UTGW61210P1		MS3126*1210P	MS3116*1210P
UTGW61419P1		MS3126*1419P	MS3116*1419P
UTGW61626P1		MS3126*1626P	MS3116*1626P
UTGW62041P1		MS3126*2041P	MS3116*2041P
UTGW62255P1		MS3126*2255P	MS3116*2255P
UTGW62461P1		MS3126*2461P	MS3116*2461P
UTGW6106S1	Cable plug for socket contacts	MS3126*106S	MS3116*610S
UTGW61210S1		MS3126*1210S	MS3116*1210S
UTGW61419S1		MS3126*1419S	MS3116*1419S
UTGW61626S1		MS3126*1626S	MS3116*1626S
UTGW62041S1		MS3126*2041S	MS3116*2041S
UTGW62255S1		MS3126*2255S	MS3116*2255S
UTGW62461S1		MS3126*2461S	MS3116*2461S
UTGW0106P1	Wall mounting receptacle for pin contacts	MS3120*106P	MS3110*610P
UTGW01210P1		MS3120*1210P	MS3110*1210P
UTGW01419P1		MS3120*1419P	MS3110*1419P
UTGW01626P1		MS3120*1626P	MS3110*1626P
UTGW02041P1		MS3120*2041P	MS3110*2041P
UTGW02255P1		MS3120*2255P	MS3110*2255P
UTGW02461P1		MS3120*2461P	MS3110*2461P
UTGW0106S1	Wall mounting receptacle for socket contacts	MS3120*106S	MS3110*610S
UTGW01210S1		MS3120*1210S	MS3110*1210S
UTGW01419S1		MS3120*1419S	MS3110*1419S
UTGW01626S1		MS3120*1626S	MS3110*1626S
UTGW02041S1		MS3120*2041S	MS3110*2041S
UTGW02255S1		MS3120*2255S	MS3110*2255S
UTGW02461S1		MS3120*2461S	MS3110*2461S

*Adaptable to standard 26482 termination



UTGW