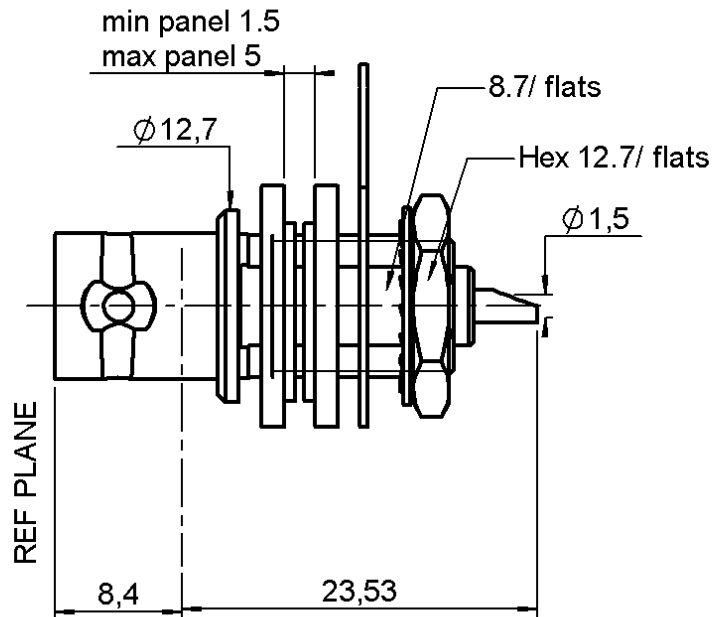


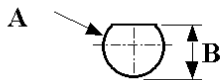
**FEMALE BULKHEAD RECEPTACLE FRONT MOUNT.**  
**WITH SOLDER POT CONTACT**

**R142.562.290**

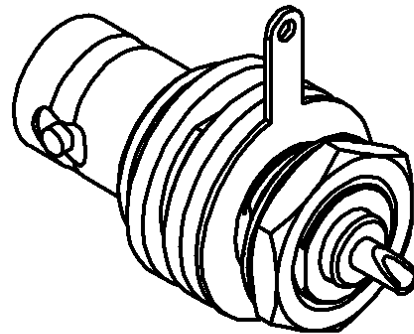
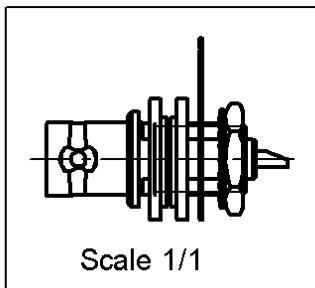
Series : BNC 75



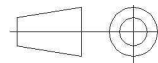
**PANEL CUT OUT**



mm		
	Maxi	mini
A	9.75	9.65
B	8.915	8.785



All dimensions are in mm.



COMPONENTS	MATERIALS	PLATING (µm)
BODY	BRASS	NICKEL 2
CENTER CONTACT	BERYLLIUM COPPER	GOLD 0.5 OVER NICKEL 2
OUTER CONTACT	-	-
INSULATOR	PTFE	-
GASKET	-	-
OTHERS PARTS	BRASS	NICKEL 2
-	-	-
-	-	-

Issue : 0825 F

In the effort to improve our products, we reserve the right to make changes judged to be necessary.



**FEMALE BULKHEAD RECEPTACLE FRONT MOUNT.  
WITH SOLDER POT CONTACT**

**R142.562.290**

Series : **BNC 75**

**PACKAGING**

**SPECIFICATION**

Standard	Unit	Other
<b>100</b>	<b>'W' option</b>	<b>Contact us</b>

**ELECTRICAL CHARACTERISTICS**

**ENVIRONMENTAL**

Impedance		<b>75</b> Ω
Frequency		<b>0-1.5</b> GHz
VSWR	<b>1.30 +</b>	<b>0,0060</b> x F(GHz) Maxi
Insertion loss		<b>.025*</b> √F(GHz) dB Maxi
RF leakage	- (	<b>57</b> - F(GHz)) dB Maxi
Voltage rating		<b>500</b> Veff Maxi
Dielectric withstanding voltage		<b>1500</b> Veff mini
Insulation resistance		<b>5000</b> MΩ mini

Operating temperature	<b>-65/+165</b> ° C
Hermetic seal	<b>NA</b> Atm.cm3/s
Panel leakage	<b>NA</b>

**OTHER CHARACTERISTICS**

Assembly instruction **NA**

Others :

\* Coaxial Transmission Line Only

**MECHANICAL CHARACTERISTICS**

Center contact retention		
Axial force – Mating end	<b>18</b>	N mini
Axial force – Opposite end	<b>18</b>	N mini
Torque	<b>N/A</b>	N.cm mini
Recommended torque		
Mating	<b>NA</b>	N.cm
Panel nut	<b>250</b>	N.cm
Mating life	<b>500</b>	Cycles mini
Weight	<b>0,0000</b>	g

Issue : 0825 F

In the effort to improve our products, we reserve the right to make changes judged to be necessary.

**RADIALL** 