

Toggle Switches



Specifications:

Electrical:

Contact rating : Silver : 5 A at 120 V ac or 28 V dc, 2 A at 250 V ac
 Maximum contact resistance : 10 mΩ
 Minimum insulation resistance : 1,000 MΩ at 500 V dc
 Dielectric strength : 1,000 V rms

Mechanical:

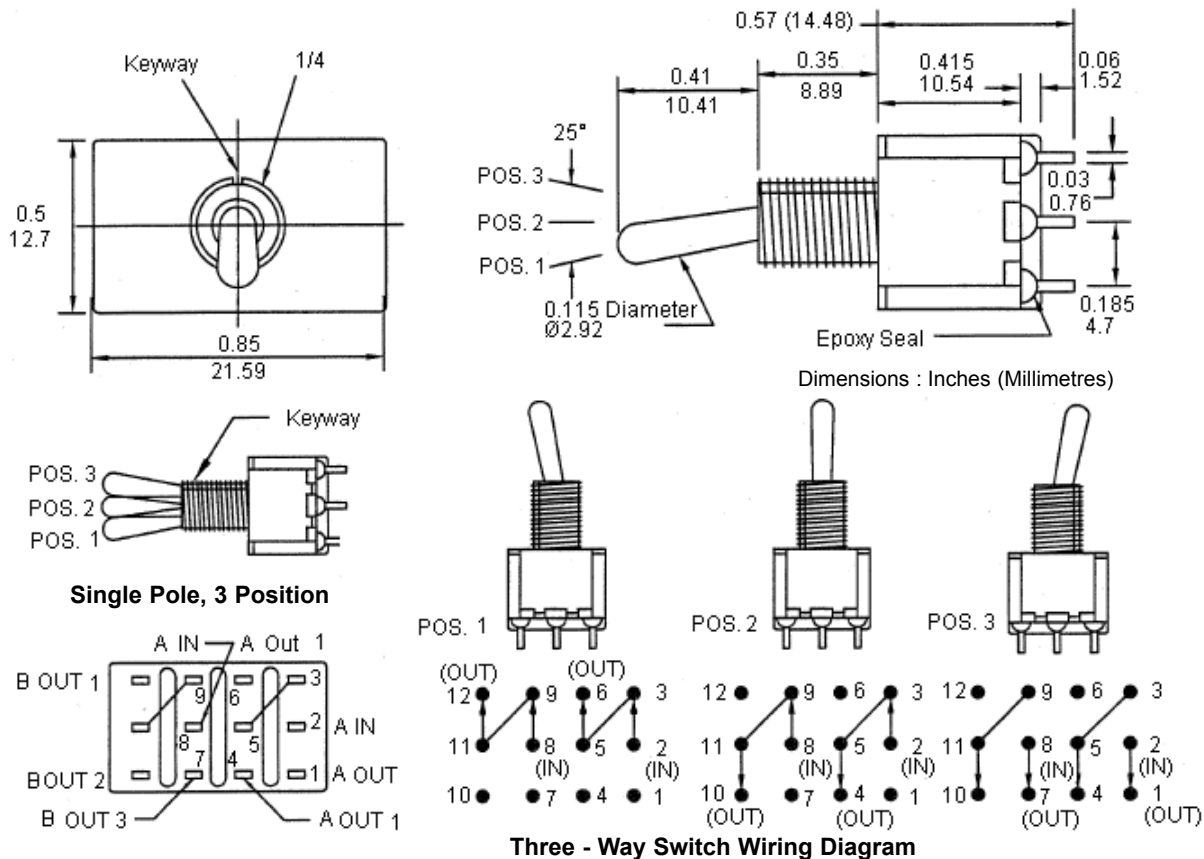
Life : 40,000 cycles

Environmental:

Operating temperature : -30°C to +85°C

Material:

Case : DAP
 Housing : Stainless steel
 Actuator : Brass, chrome plated
 Bushing : Brass, nickel plated
 Support : Brass, tin plated
 Contact / Terminal : Copper alloy, silver plated

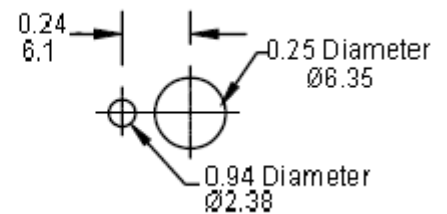
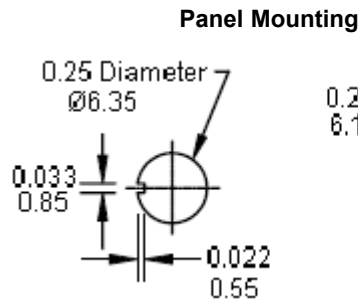
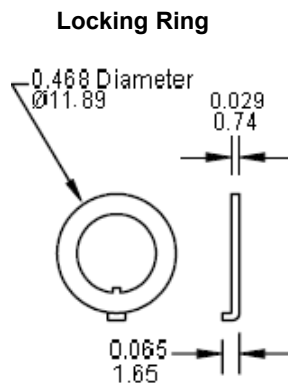
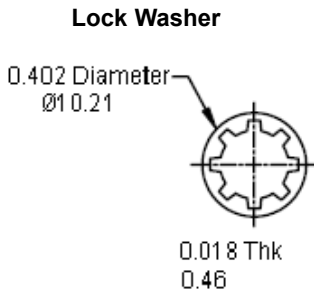
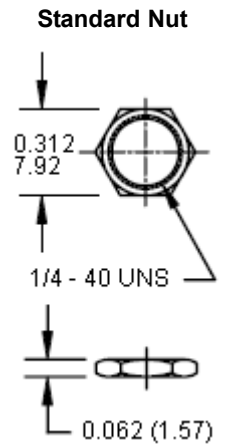
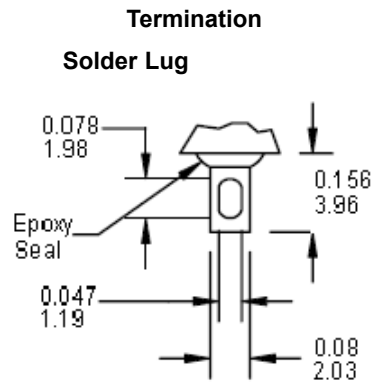
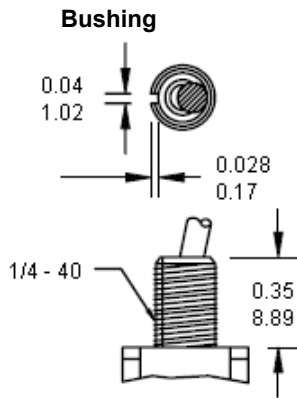
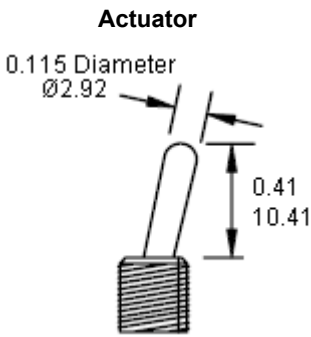
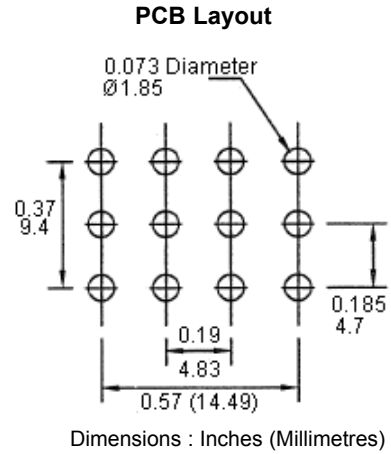


Toggle Switches



Model No.	Switching Position		
SPC21327	ON	ON	ON
SPC21328	MOM	ON	MOM
SPC21329	ON	ON	MOM
Conn. Terms	2-3, 5-6 8-9, 11-12	2-3, 5-4 8-9, 11-10	2-1, 5-4 8-7, 11-10

For PC Mount Termination Only



Dimensions : Inches (Millimetres)

Part Number Table

Description	Part Number
Toggle Switch	SPC21327
Toggle Switch	SPC21328
Toggle Switch	SPC21329

Disclaimer This data sheet and its contents (the "Information") belong to the Premier Farnell Group (the "Group") or are licensed to it. No licence is granted for the use of it other than for information purposes in connection with the products to which it relates. No licence of any intellectual property rights is granted. The Information is subject to change without notice and replaces all data sheets previously supplied. The Information supplied is believed to be accurate but the Group assumes no responsibility for its accuracy or completeness, any error in or omission from it or for any use made of it. Users of this data sheet should check for themselves the Information and the suitability of the products for their purpose and not make any assumptions based on information included or omitted. Liability for loss or damage resulting from any reliance on the Information or use of it (including liability resulting from negligence or where the Group was aware of the possibility of such loss or damage arising) is excluded. This will not operate to limit or restrict the Group's liability for death or personal injury resulting from its negligence. SPC Multicomp is the registered trademark of the Group. © Premier Farnell plc 2011.