

Specifications:

Input

Input voltage	: 100 to 240 V ac
Input frequency	: 50 to 60 Hz
No load power consumption	: < 0.3 W
Input full load current	: 0.25 A at 120 V ac
Maximum input power	: 17 W

Output

Light load output voltage	: 9 V dc \pm 10%
Full load output voltage	: 9 V dc \pm 10%
Minimum load output current	: 0 mA
Maximum load output current	: 1,000 mA
Noise test bandwidth	: 20 MHz each output by passed by a 10 μ F electrolytic capacitor parallel with 0.1 μ F ceramic capacitor to GND
Line regulation	: 0.5% input 90 to 264 V ac output loaded at full load
Setup, rise, hold uptime	: 200 ms, 30 ms, 17 ms / 115 V ac; 200 ms, 20 ms, 80 ms / 230 V ac

Overall Performance

Maximum total output power	: 9 W
Efficiency	: Complied with EUP

Protection

Over current protection
Over voltage protection
Over power protection
Short circuit protection
LPS (Limits for power source)
Other

HI-Pot

Input to output	: 3,000 V ac 5 mA 50/60 Hz
Input to case	: 3,000 V ac 5 mA 50/60 Hz
Output to case	: 1,500 V ac 5 mA 50/60 Hz
Isolation resistance	: 100 M Ω I/P - O/P I/P/Enclosure

Environmental

Operating temperature	: 0°C to 25°C
Storage temperature	: -20°C to 50°C
Operating humidity	: 20% - 85% RH. Non - Condensing
Storage Humidity	: 10% - 90% RH. Non - Condensing

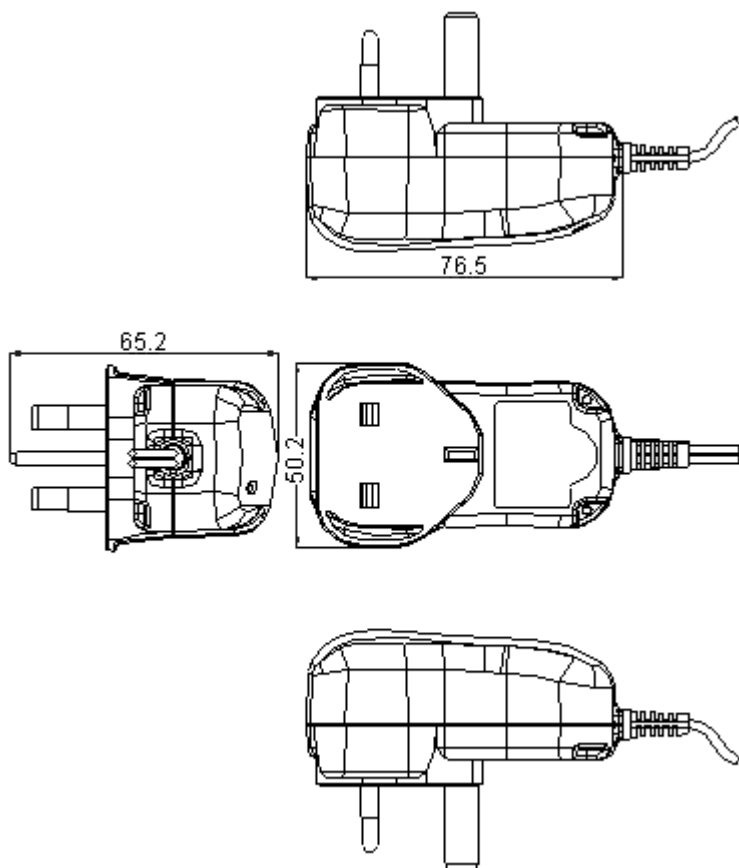
Reliability

MTBF	: 50,000 hours (Minutes)
Burn - In	: 8 hours 25°C, full load, 220 V ac, 50 Hz

Mechanical Specification

Dimension	: 76.5 (L) × 50.2 (W) × 65.2 (H) mm
Weight	: 125 g max. exclude packing
Input cord	: -
Input plug	: UK
Output cord	: 1.8 M
Output plug	: 2.5 × 5.5 × 12 mm
Output connector	: Centre positive

Appearance and Dimensions



Dimensions : Millimetres

Part Number Table

Description	Part Number
AC - DC Power Supply 9 V 1000 mA 2.5 mm	NK090P100PUK/G+

Important Notice : This data sheet and its contents (the "Information") belong to the members of the Premier Farnell group of companies (the "Group") or are licensed to it. No licence is granted for the use of it other than for information purposes in connection with the products to which it relates. No licence of any intellectual property rights is granted. The Information is subject to change without notice and replaces all data sheets previously supplied. The Information supplied is believed to be accurate but the Group assumes no responsibility for its accuracy or completeness, any error in or omission from it or for any use made of it. Users of this data sheet should check for themselves the Information and the suitability of the products for their purpose and not make any assumptions based on information included or omitted. Liability for loss or damage resulting from any reliance on the Information or use of it (including liability resulting from negligence or where the Group was aware of the possibility of such loss or damage arising) is excluded. This will not operate to limit or restrict the Group's liability for death or personal injury resulting from its negligence. pro-POWER is the registered trademark of the Group. © Premier Farnell plc 2011.