

PSR-SCP- 24DC/SIM4


Order No.: 2981936



<http://eshop.phoenixcontact.co.uk/phoenix/treeViewClick.do?UID=2981936>

Interface module for the connection of several safety sensors or switches with NC/NO contacts to the safety relay PSR-SDC4, with screw connection



Commercial data	
EAN	4  046356 326001
Pack	1
Customs tariff	85364190
Country of Origin	DE
Catalog page information	Page 25 (IF-2011)

Product notes

WEEE/RoHS-compliant since:
11/04/2008



Please note that the data given here has been taken from the online catalog. For comprehensive information and data, please refer to the user documentation at <http://www.download.phoenixcontact.com>. The General Terms and Conditions of Use apply to Internet downloads.

Technical data

Supply	
Nominal input voltage U_N	24 V DC (from PSR)
Input voltage range in reference to U_N	0.85 ... 1.1
General data	
Status display	Green LED

Max. permissible current	100 mA (per signal output)
Max. permissible total current	100 mA (alarm outputs)
Ambient temperature (operation)	-20 °C ... 55 °C
Ambient temperature (storage/transport)	-40 °C ... 70 °C
Nominal operating mode	100% operating factor
Degree of protection	IP20
Mounting position	Any
Assembly instructions	In rows with zero spacing
Name	Air and creepage distances between the power circuits
Standards/regulations	DIN EN 50178
Rated surge voltage / insulation	0.8 kV
Rated insulation voltage	50 V DC
Pollution degree	2
Surge voltage category	III
Height	99 mm
Width	22.5 mm
Depth	106 mm

Connection data

Conductor cross section solid min.	0.2 mm ²
Conductor cross section solid max.	2.5 mm ²
Conductor cross section stranded min.	0.2 mm ²
Conductor cross section stranded max.	2.5 mm ²
Conductor cross section AWG/kcmil min.	24
Conductor cross section AWG/kcmil max	12
Stripping length	7 mm
Screw thread	M3
Connection method	Screw connection

Certificates



Certification

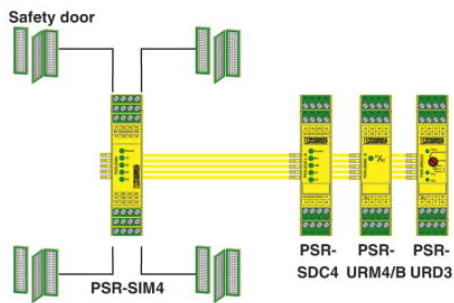
CUL Listed, GOST, UL Listed

Accessories

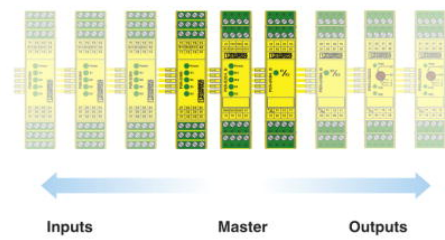
Item	Designation	Description
General		
2890425	PSR-TBUS	PSR-TBUS DIN rail connector, for supplying/controlling/monitoring (depending on the module)
2981716	PSR-TBUS-TP	

Drawings

Application drawing

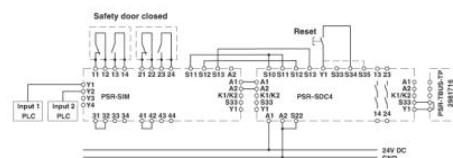
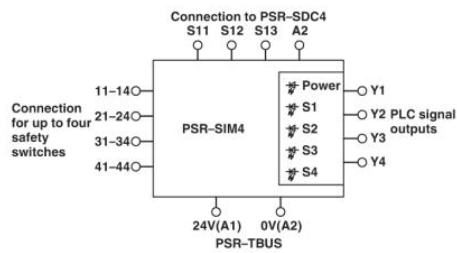


Up to 4 safety door switches can be connected to one PSR-SIM4.



Additional inputs are aligned on the left of the PSR-SDC4, outputs are to its right.

Circuit diagram



Address

PHOENIX CONTACT Ltd
Halesfield 13
Telford / Shropshire / TF7 4PG,England
Phone 01952 681 700
Fax 01952 681 799
<http://www.phoenixcontact.co.uk>



Phoenix Contact Ltd.
Technical modifications reserved;