

4

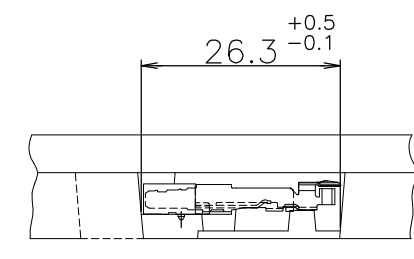
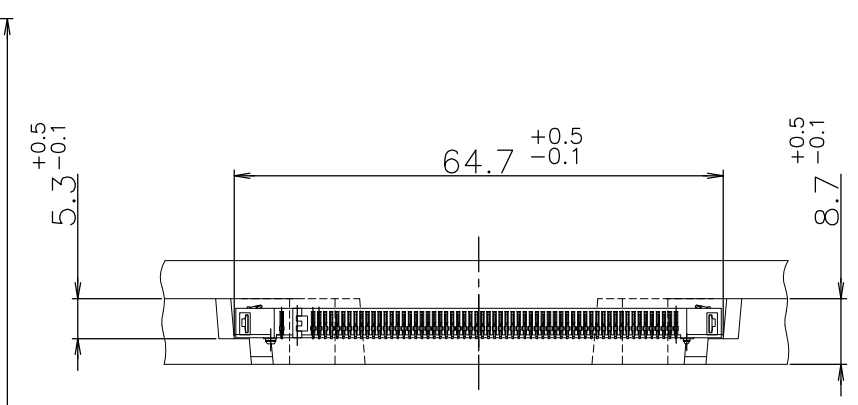
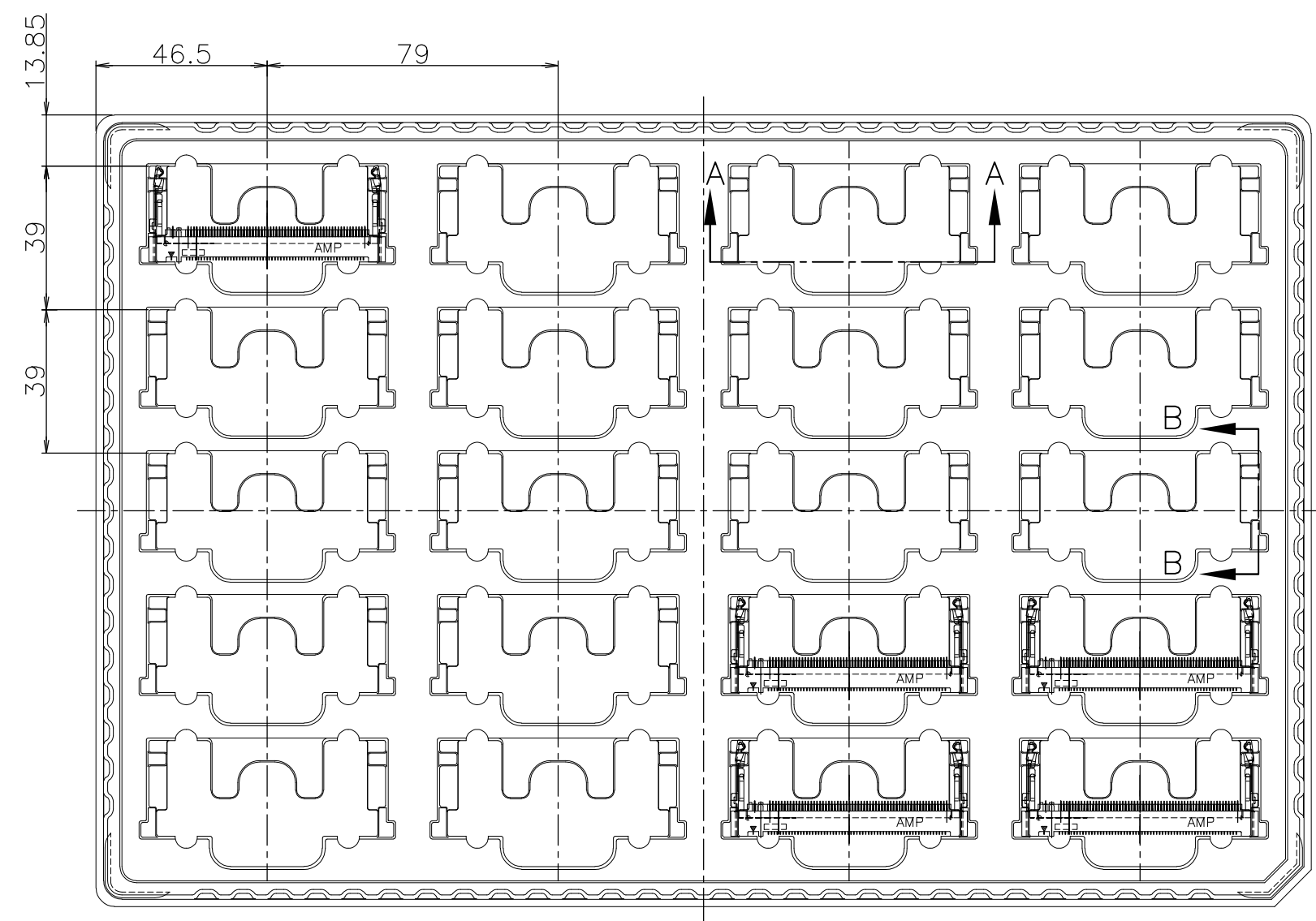
3

2

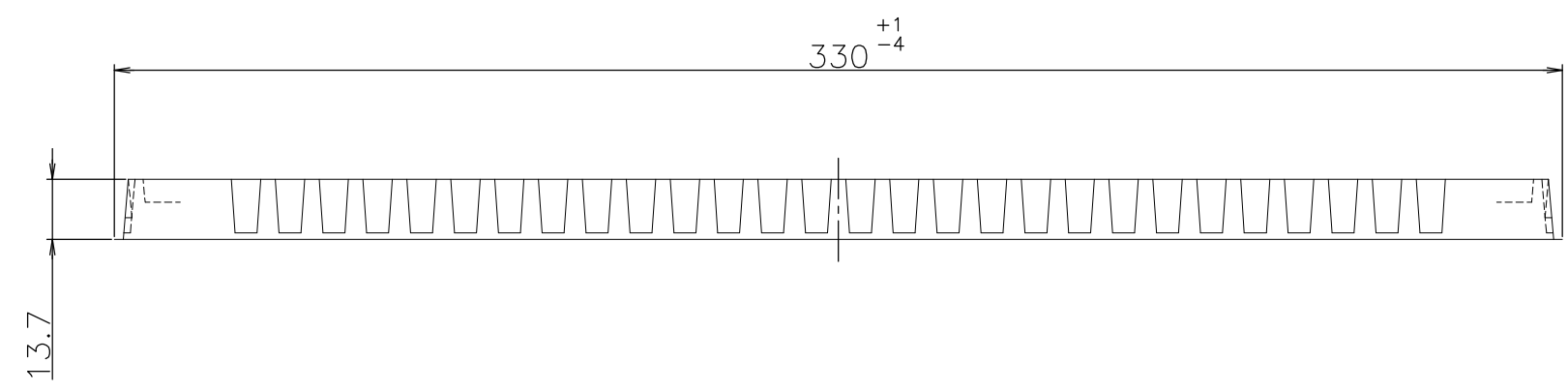
1

THIS DRAWING IS UNPUBLISHED. RELEASED FOR PUBLICATION  
 © COPYRIGHT 1998 By - ALL RIGHTS RESERVED.


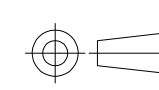
LOC	DIST	REVISIONS					
		P	LTR	DESCRIPTION	DATE	DWN	APVD
J	-	P	P	REVISED PER ECO-11-005033	29MAR11	RK	HMR



1. THE DIRECTION OF EACH CONNECTOR ON A TRAY IS REFERRED TO THIS DWG.
2. REFERENCE TO PACKING SPEC 107-5195-1
3. GENERAL TOLERANCES ±0.5



20EA/TRAY	6318228-1
QTY	P/N

THIS DRAWING IS A CONTROLLED DOCUMENT.		DWN	COREL WANG	28SEP04	 <b>TE Connectivity</b>		
DIMENSIONS: MM		CHK	STEVEN YAO	28SEP04			
		APVD	I.ENOMOTO	28SEP04			
TOLERANCES UNLESS OTHERWISE SPECIFIED:		PRODUCT SPEC	-				
MATERIAL		FINISH	-		NAME	0.8MM PITCH FAX MODEM SOCKET 124POSITIONS	
-		-	APPLICATION SPEC	-		SIZE	A3
-		-	WEIGHT	-		CAGE CODE	00779
-		-	CUSTOMER DRAWING		DRAWING NO	G-6318228	
-		-	SCALE		1:1	SHEET	1 OF 5
-		-	REV		P	RESTRICTED TO	

4

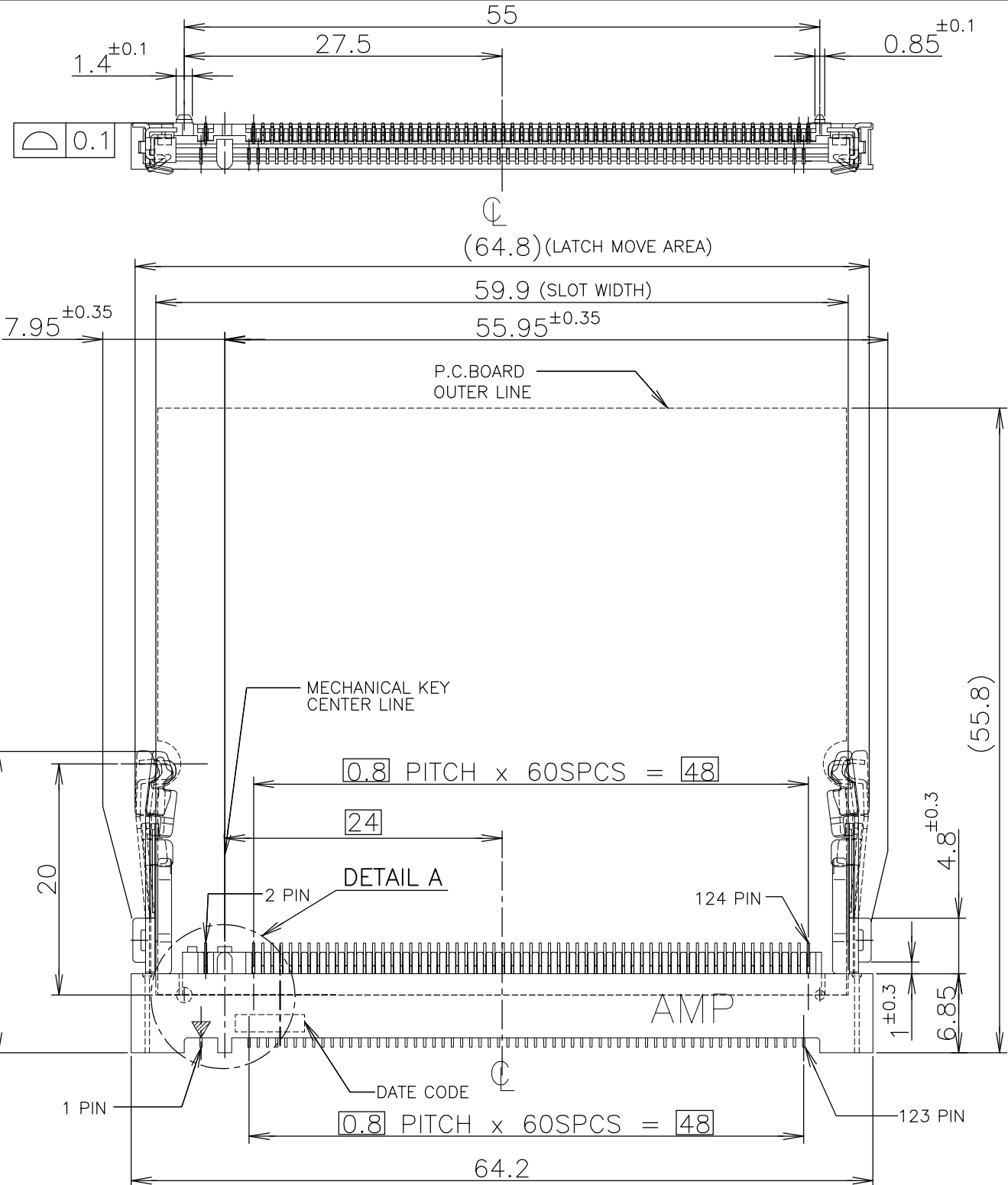
3

2

1

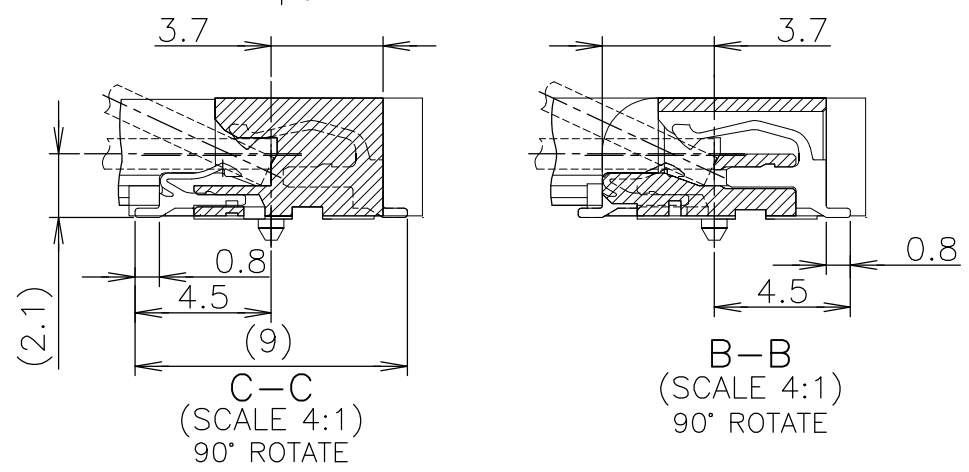
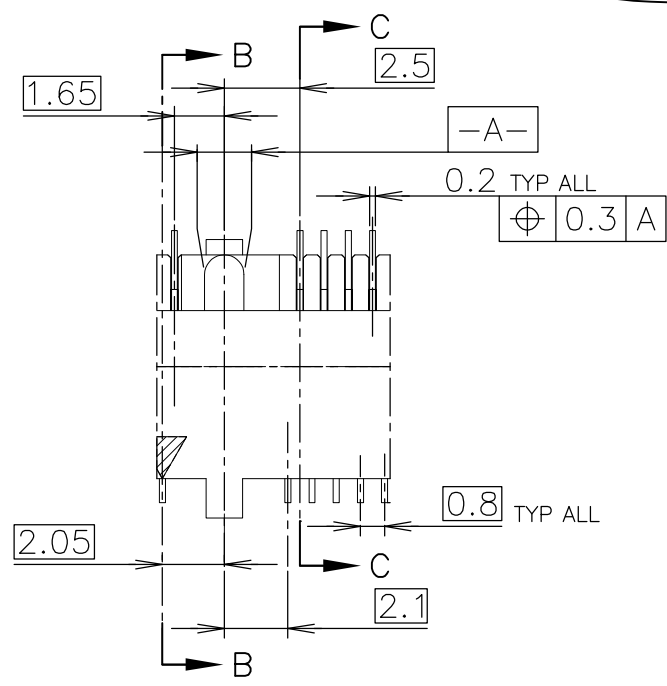
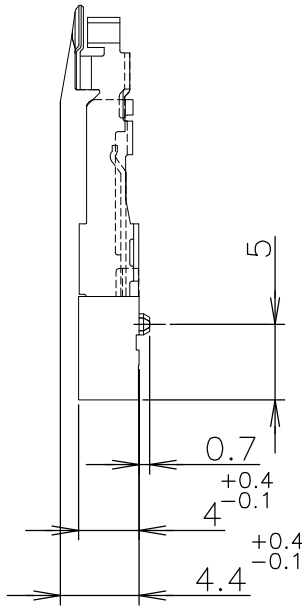
THIS DRAWING IS UNPUBLISHED. RELEASED FOR PUBLICATION - ,1998.  
 © COPYRIGHT 1998 By - ALL RIGHTS RESERVED.

LOC	DIST	REVISIONS					
		P	LTR	DESCRIPTION	DATE	DWN	APVD
J	-	-	-	SEE SHEET 1	-	-	-



- 1 MATERIAL; HOUSING: HIGH TEMPERATURE THERMO PLASTIC UL94V-0  
 COLOR: BLACK.  
 CONTACT: PHOS-BRZ  
 LOCK LEVER: SUS TIN PLATING.
- 2 FINISH; CONTACT AREA: GOLD FLASH ON  
 0.0013 MIN ALL OVER NICKEL.  
 SOLDERING AREA: GOLD FLASH PLT.
- 3 TOLERANCES NONCUMULATIVE.

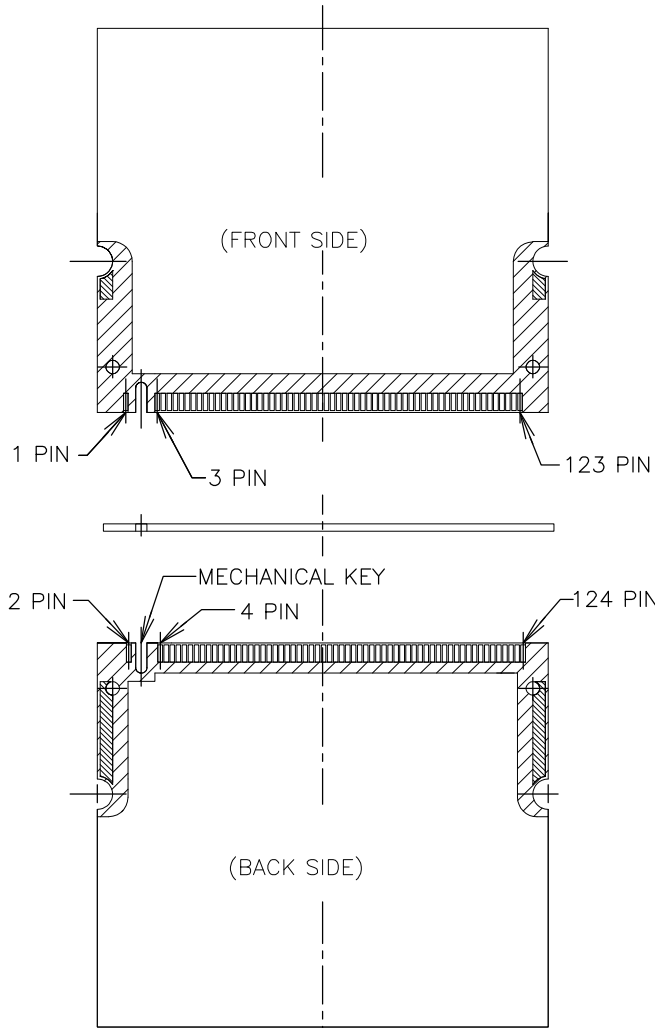
LEAD FREE



GENERAL TOLERANCE  
 10 ≥ : ±0.2  
 30 ≥ > 10: ±0.25  
 100 ≥ > 30: ±0.3  
 ANGLES: ±3°

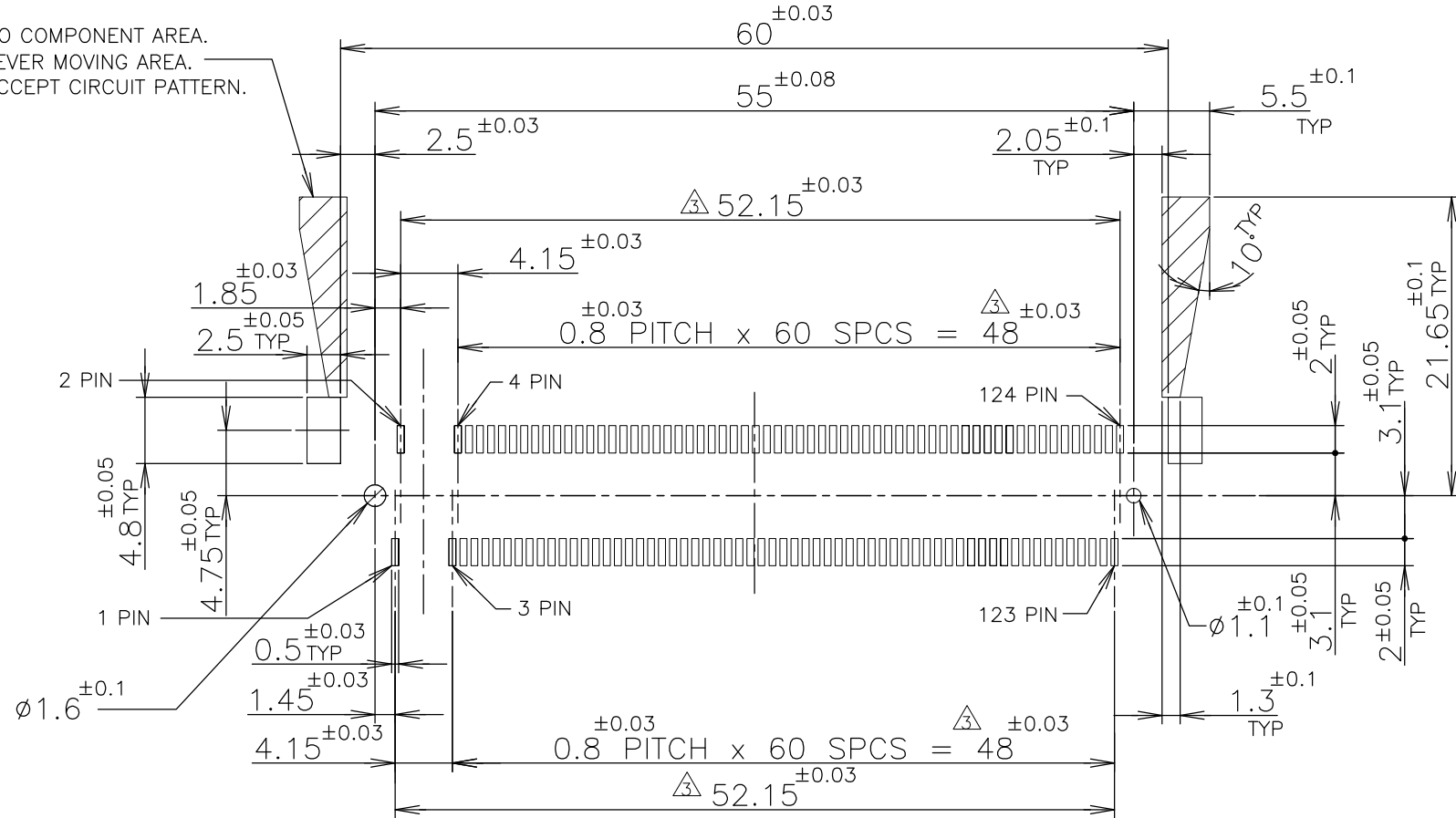
THIS DRAWING IS A CONTROLLED DOCUMENT.		DWN	TE Connectivity				
DIMENSIONS: MM		CHK				0.8MM PITCH FAX MODEM SOCKET 124POSITIONS	
TOLERANCES UNLESS OTHERWISE SPECIFIED:		APVD					
0 PLC ± - 1 PLC ± - 2 PLC ± - 3 PLC ± - 4 PLC ± - ANGLES ± - FINISH ± -		NAME					
MATERIAL		PRODUCT SPEC	108-60039				
		APPLICATION SPEC	A300779 C-6318228				
		WEIGHT	SIZE	CAGE CODE	DRAWING NO	RESTRICTED TO	
		CUSTOMER DRAWING	A3	00779	C-6318228		
		SCALE	SHEET		REV		
		2:1	2 OF 5		P		

LOC	DIST	REVISIONS		
J	-	P	LTR	DESCRIPTION
				SEE SHEET 1
		DATE	DWN	APVD

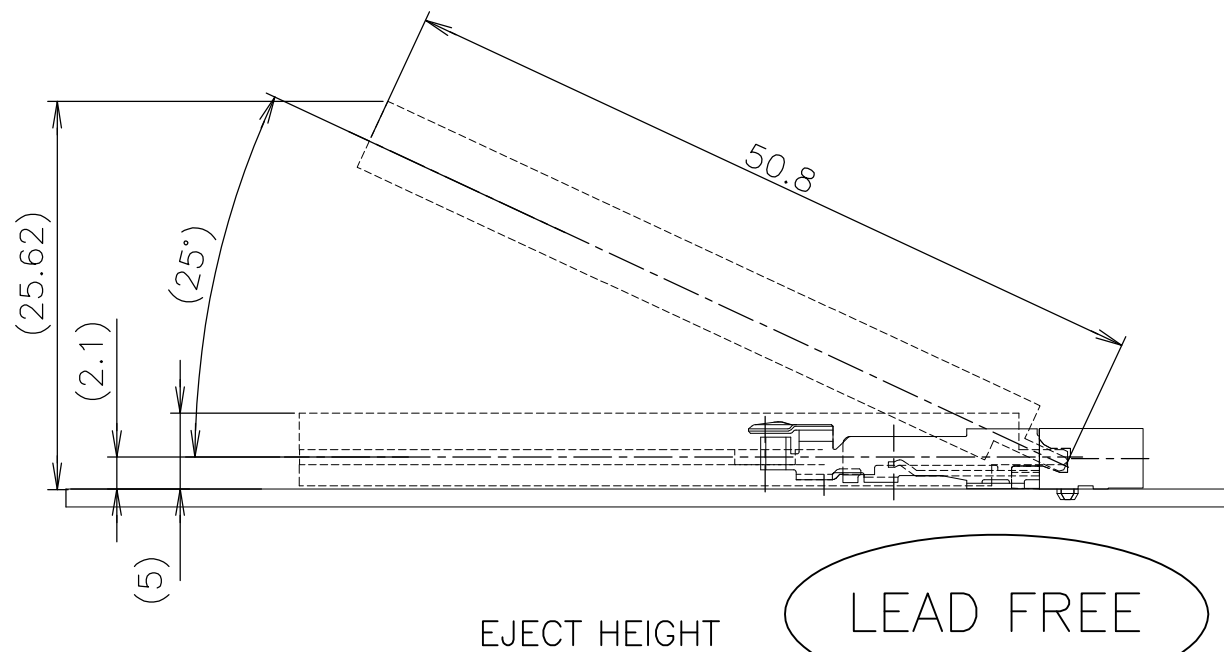


CIRCUIT POSITION OF S.O.DIMM (SCALE 1:1)

NO COMPONENT AREA.  
LEVER MOVING AREA.  
ACCEPT CIRCUIT PATTERN.

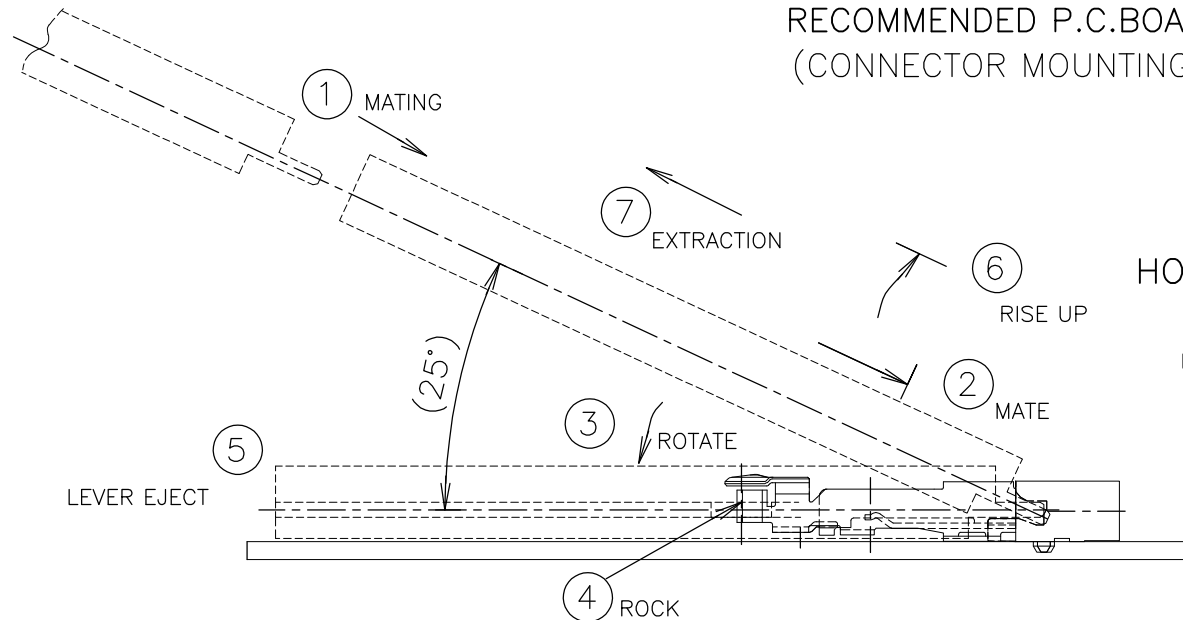


RECOMMENDED P.C.BOARD PATTERN LAYOUT (CONNECTOR MOUNTING SIDE)



EJECT HEIGHT

LEAD FREE



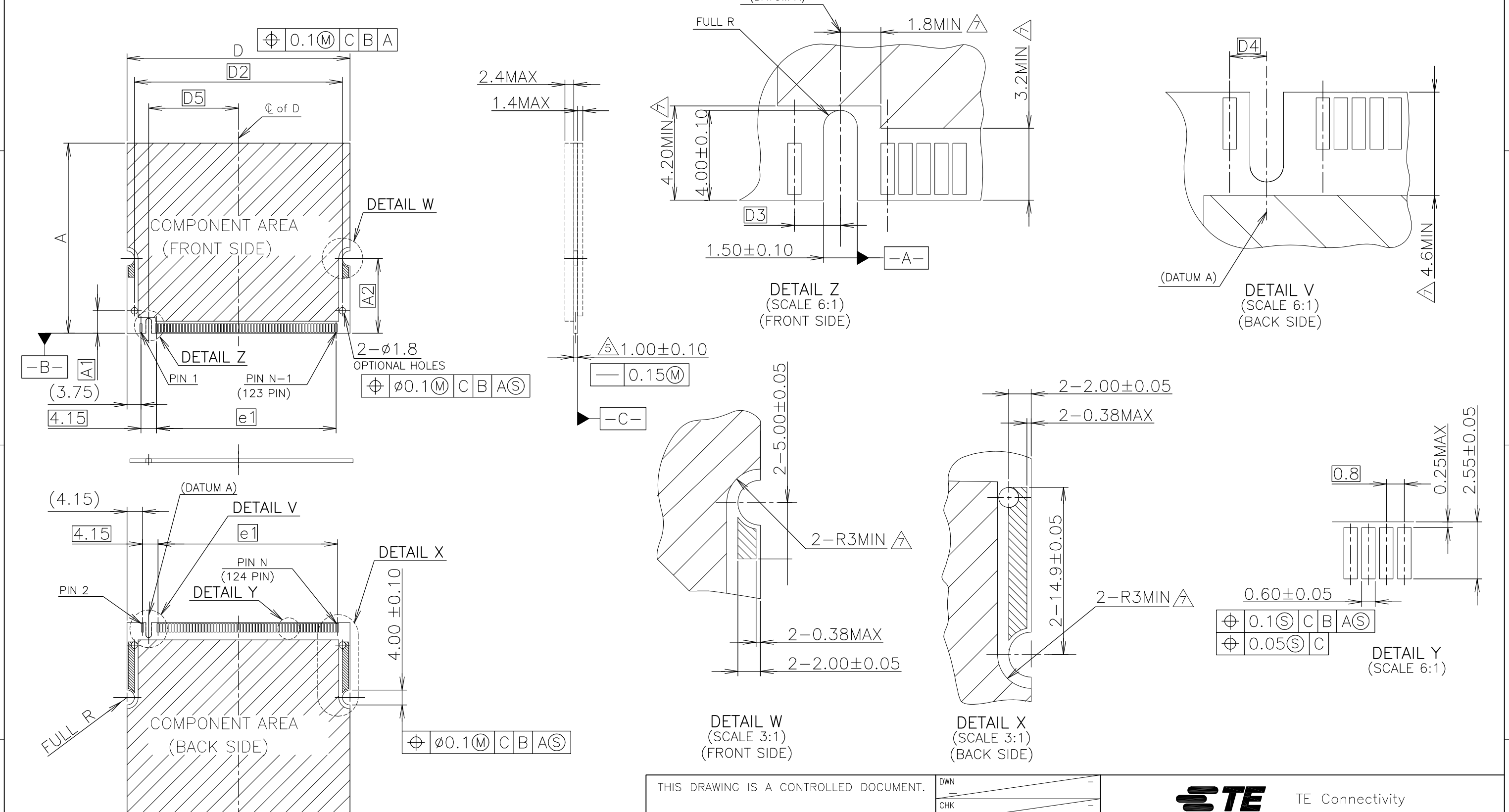
HOW TO MATE AND UNMATE

MATE: ① ⇒ ④  
 UNMATE: ⑤ ⇒ ⑦

THIS DRAWING IS A CONTROLLED DOCUMENT.		DWN	STE TE Connectivity	
DIMENSIONS: MM		CHK	NAME	
TOLERANCES UNLESS OTHERWISE SPECIFIED:		APVD	0.8MM PITCH FAX MODEM SOCKET 124POSITIONS	
0 PLC ± -	1 PLC ± -	PRODUCT SPEC	SIZE	CAGE CODE
2 PLC ± -	3 PLC ± -	APPLICATION SPEC	A3	00779
4 PLC ± -	ANGLES ± -	WEIGHT	DRAWING NO	G-6318228
MATERIAL	FINISH	CUSTOMER DRAWING	RESTRICTED TO	
		SCALE	SHEET	REV
		2:1	3 OF 5	P

THIS DRAWING IS UNPUBLISHED. RELEASED FOR PUBLICATION. ALL RIGHTS RESERVED.

LOC J	DIST -	REVISIONS		
P	LTR	DESCRIPTION	DATE	DWN APVD
		SEE SHEET 1		

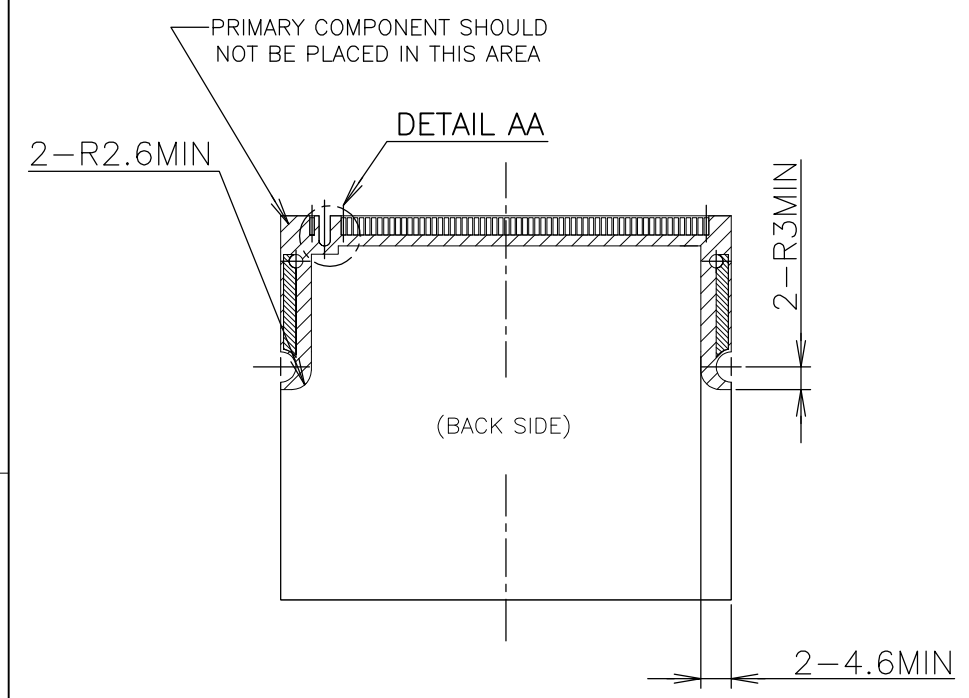
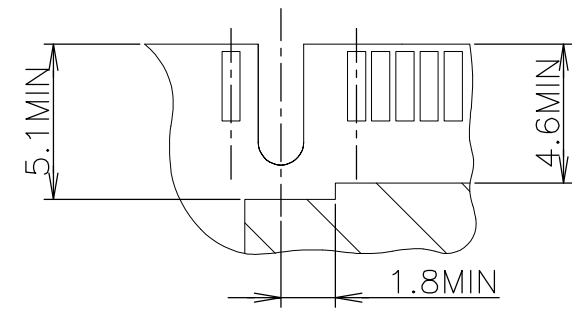
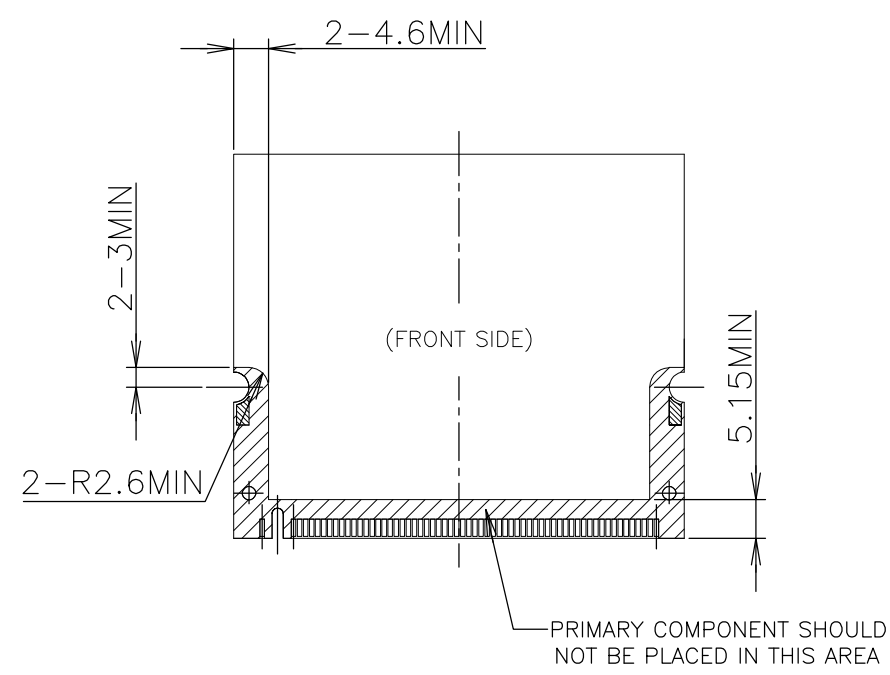


LEAD FREE

THIS DRAWING IS A CONTROLLED DOCUMENT.		DWN	TE Connectivity		
DIMENSIONS: MM		CHK	NAME		
TOLERANCES UNLESS OTHERWISE SPECIFIED: 0 PLC ± - 1 PLC ± - 2 PLC ± - 3 PLC ± - 4 PLC ± - ANGLES ± - FINISH ± -		APVD	0.8MM PITCH FAX MODEM SOCKET 124POSITIONS		
MATERIAL		PRODUCT SPEC	SIZE	CAGE CODE	DRAWING NO
		APPLICATION SPEC	A3	00779	C-6318228
		WEIGHT	RESTRICTED TO		
		CUSTOMER DRAWING	SCALE	SHEET	REV
			1:1	4 OF 5	P

THIS DRAWING IS UNPUBLISHED. RELEASED FOR PUBLICATION  
 © COPYRIGHT 1998 By - ALL RIGHTS RESERVED.

LOC	DIST	REVISIONS					
J	-	P	LTR	DESCRIPTION	DATE	DWN	APVD
				SEE SHEET 1			



LEAD FREE

- 4 TOLERANCES ON ALL DIMENSIONS ±0.15 UNLESS OTHERWISE SPECIFIED.
- 5 CARD THICKNESS APPLIES ACROSS TABS AND INCLUDES PLATING AND/OR METALIZATION.
- 6 APPLICATION NOTE:  
GOLD CONTACT PAD : ELECTROLESS GOLD PLATING 0.00005 MIN.  
OVER ELECTROLESS Ni PLATING 0.002 MIN.
- 7 BORDER OF COMPONENT AREA.

SYMBOL	VARIATIONS ALL DIMENSIONS IN mm					
	NORMAL HEIGHT 44.45			NORMAL HEIGHT 50.80		
	AA			BA		
	MIN	NOM	MAX	MIN	NOM	MAX
A	44.3	44.45	44.60	50.65	50.80	50.95
A1	6.00	BSC		6.00	BSC	
A2	20.00	BSC		20.00	BSC	
D	59.45	59.6	59.75	59.45	59.6	59.75
D1	1.30	BSC		1.30	BSC	
D2	55.60	BSC		55.60	BSC	
D3	2.05	BSC		2.05	BSC	
D4	1.65	BSC		1.65	BSC	
D5	24.00	BSC		24.00	BSC	
e1	48.00	BSC		48.00	BSC	
N		124			124	

THIS DRAWING IS A CONTROLLED DOCUMENT.		DWN	TE Connectivity NAME 0.8MM PITCH FAX MODEM SOCKET 124POSITIONS			
DIMENSIONS: MM		CHK				
TOLERANCES UNLESS OTHERWISE SPECIFIED:		APVD	RESTRICTED TO			
0 PLC ± -		PRODUCT SPEC	SIZE	CAGE CODE	DRAWING NO	
1 PLC ± -		APPLICATION SPEC	A3	00779	C-6318228	
2 PLC ± -		WEIGHT	CUSTOMER DRAWING			
3 PLC ± -			SCALE	SHEET	REV	
4 PLC ± -			1:1	5 OF 5	P	
ANGLES ± -						
FINISH						