

4

3

2

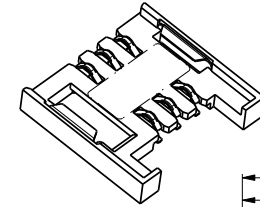
1

THIS DRAWING IS UNPUBLISHED. RELEASED FOR PUBLICATION
BY TYCO ELECTRONICS CORPORATION. ALL RIGHTS RESERVED.

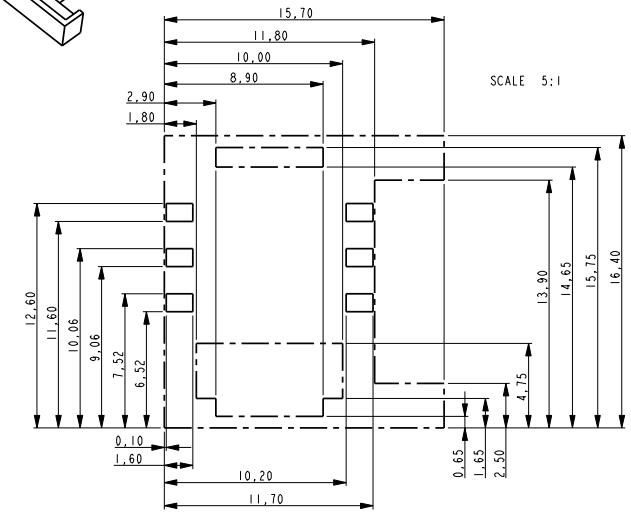
LOC	DIST	REVISIONS					
ES	-	P	LT	DESCRIPTION	DATE	DWN	APVD
		0		RELEASED FB00-0074-04	22APR04	J.J.	J.O.

MINIMUM AVAILABLE AREA FOR PICK AND PLACE
VACUUM PICK-UP
9.7 x 4.4 mm
FREE FROM BURRS, SCRATCHES OR MARKS.

SCALE 3:1



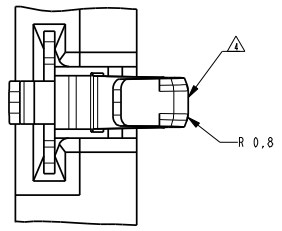
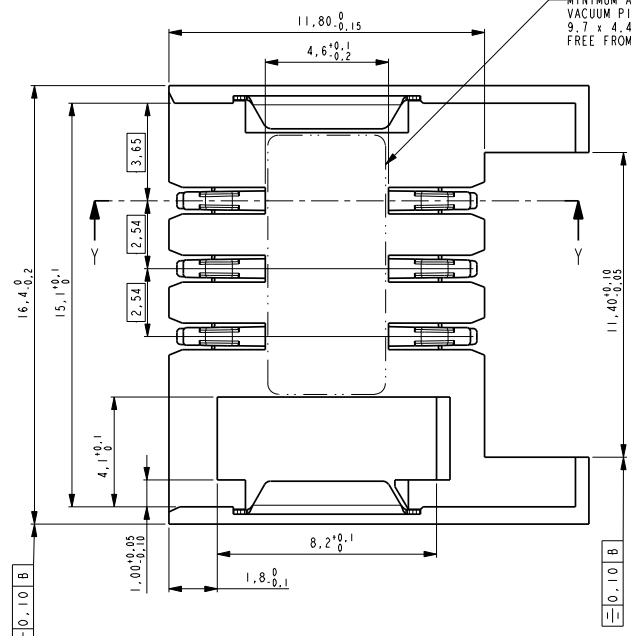
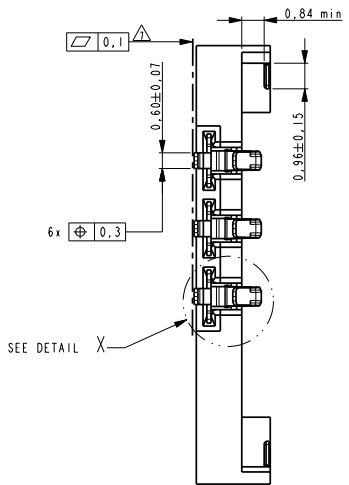
PCB Layout



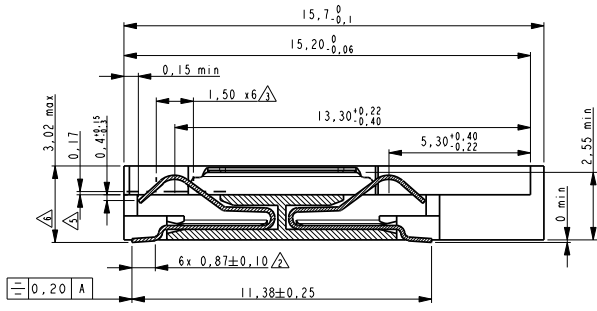
SCALE 5:1

NOTES:

- Contact spring plated completely 1,5 ... 1,8 Um Ni
- △ -In this zone completely plated min 3 Um Sn
- △ -In this zone plated min 0,2 Um Au over min 1 Um Pd or PdNi)
- △ -This area not concave
- a) When contact is compressed to this height, spring force min 0,3 N. - 0,7 N
- b) Highest point of contact always below highest point of housing
- △ -Overall dimension
- △ Coplanarity measured over 6 contacts in one pass



DETAIL X
SCALE 20:1



SECTION Y-Y

DIMENSIONS: mm		TOLERANCES UNLESS OTHERWISE SPECIFIED:		DWN J. JIANG 16APR04	Tyco Electronics Corporation Shanghai, P.R.China, 200233
		0 PLC ± 1 PLC ± 2 PLC ± 3 PLC ± 4 PLC ± ANGLES ± FINISH -		CHK S. YAO 16APR04	
MATERIAL				APVD L. QIU 16APR04	NAME SLIDING SIM CONNECTOR
				PRODUCT SPEC	SIZE A2
				APPLICATION SPEC	CAGE CODE 00779
				WEIGHT	DRAWING NO 6393699
				CUSTOMER DRAWING	RESTRICTED TO
				SCALE 2:1	SHEET 1 of 2
					REV 0

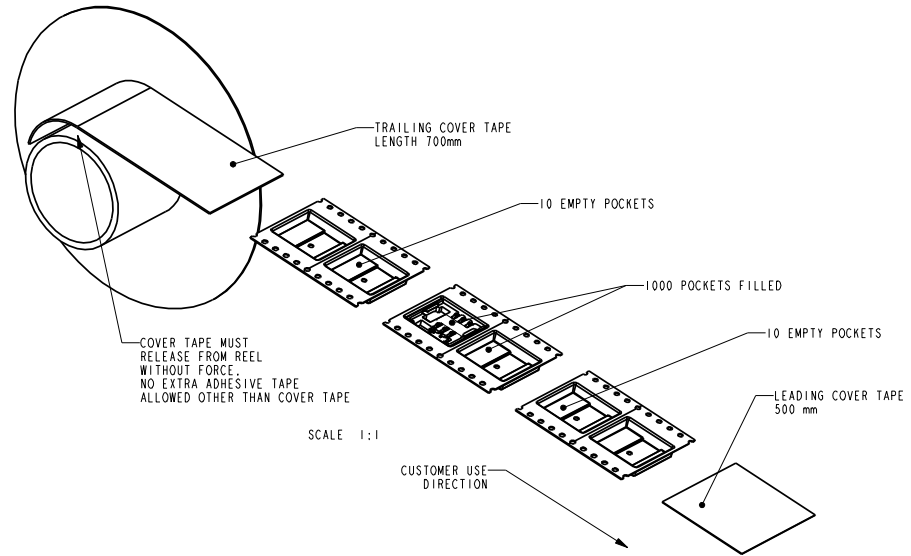
4

3

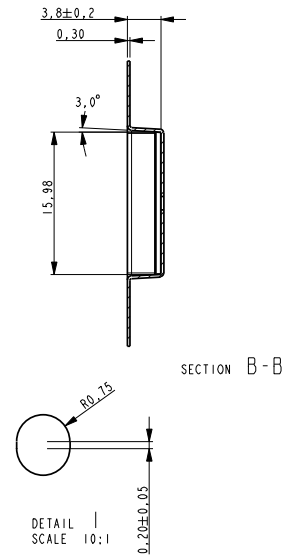
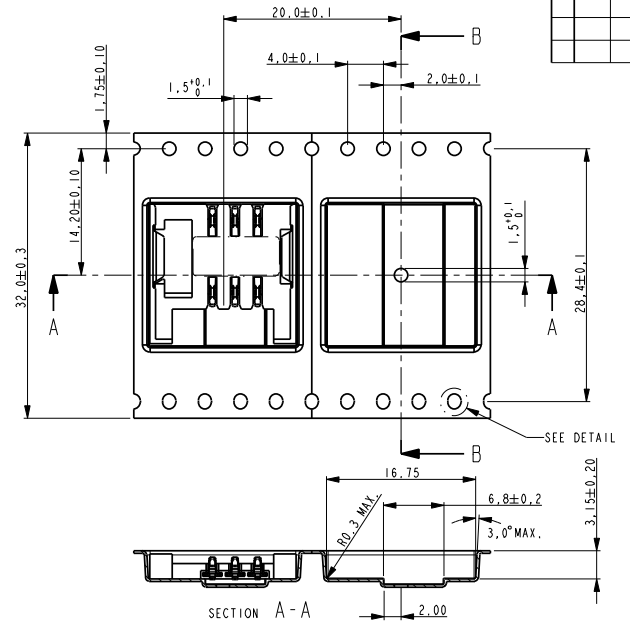
2

1

THIS DRAWING IS UNPUBLISHED. RELEASED FOR PUBLICATION
BY TYCO ELECTRONICS CORPORATION. ALL RIGHTS RESERVED.

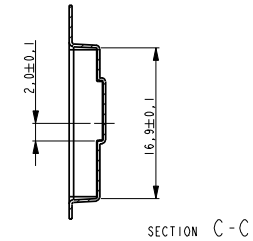
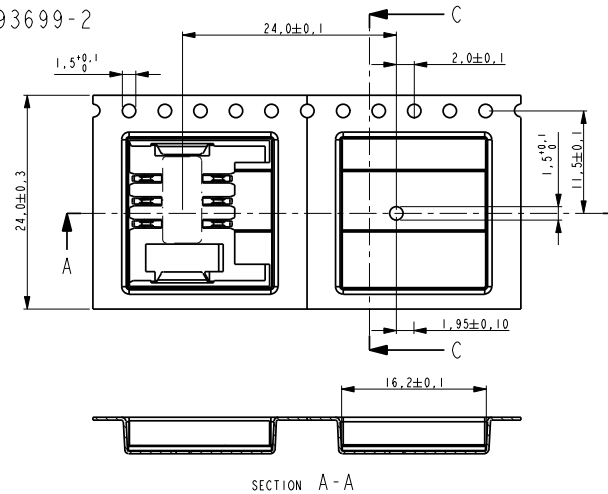


6393699-1



LOC	DIST	REVISIONS					
ES	-	P	LTR	DESCRIPTION	DATE	DWN	APVD
		-		SEE SHEET I			

6393699-2



NOTES:

- △ PACKAGING: TAPE MATERIAL PS BLACK CONDUCTIVE
- OTHER FEATURES ACCORDING EIA 481-B

DIMENSIONS:		TOLERANCES UNLESS OTHERWISE SPECIFIED:		DWN		Tyco Electronics	
mm		0 PLC	±	J. JIANG	16APR04	Tyco Electronics Corporation	
		1 PLC	±	CHK S. YAO	16APR04	Shanghai, P.R.China, 200233	
		2 PLC	±	APVD L. QIU	16APR04	NAME	
		3 PLC	±			SLIDING SIM CONNECTOR	
		4 PLC	±			PRODUCT SPEC	
		ANGLES	±			APPLICATION SPEC	
		FINISH	-			SIZE	
MATERIAL	-					A2	CAGE CODE
						00779	DRAWING NO
						©=6393699	RESTRICTED TO
							SCALE
						2	SHEET
						2	OF
							REV
							0