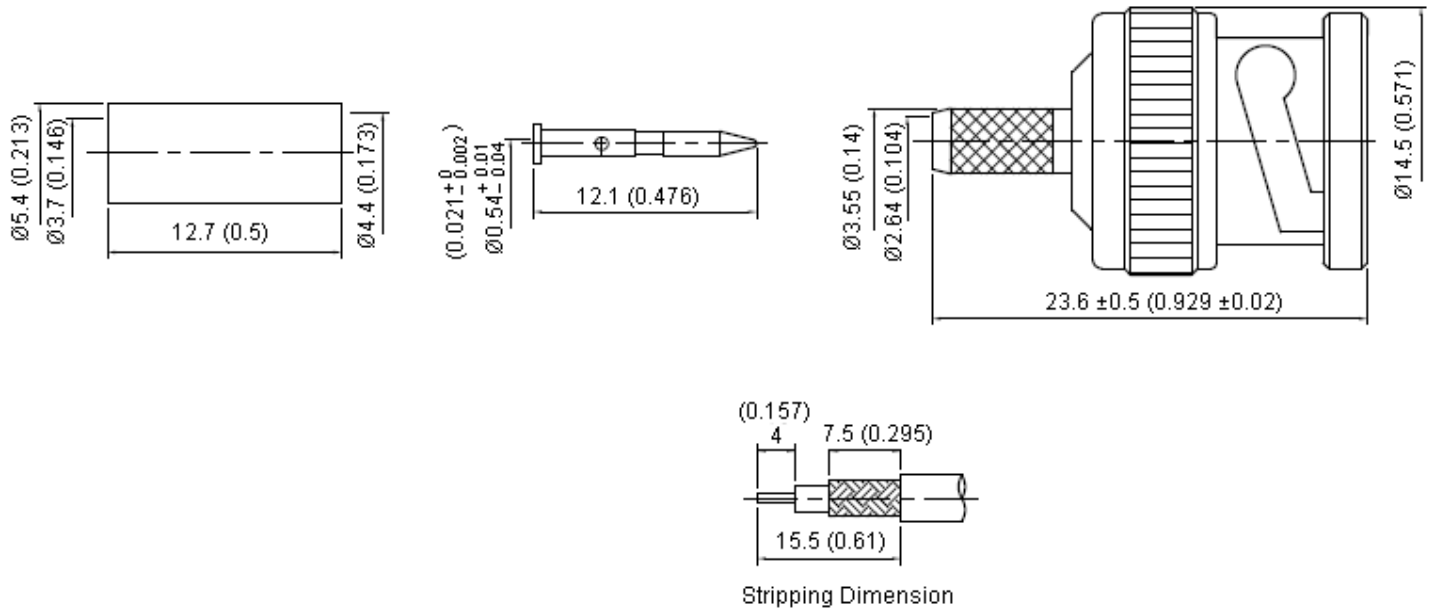


BNC Straight Plug



Dimensions : Millimetres (Inches)

Electrical:

Frequency Range	: DC-4 GHz
Nominal Impedance	: 75 Ω
Maximum Working Voltage	: 500 Volts
Proof Voltage	: 1,500 Volts
Maximum VSWR	: 1.3

Materials:

Bodies	: Brass
Centre Contact	: Brass
Insulation	: PTFE
Crimp Ferrule	: Brass

Finish and Others:

See below table for details

Mechanical:

For use with 735A or similar style cable

Cable Attachment	: Outer : Crimp
	: Inner : Solder / Crimp
Crimp Size Required	: Contact : 0.92 (0.036) Hex. Crimp Tool
	: Ferrule : 4.7 (0.185) Hex. Crimp Tool

Environmental:

Operating Temperature Range	: -20°C to +80°C
-----------------------------	------------------

BNC Straight Plug



No	Description	Material	Finish
1	Body	Brass	Nickel 100 μ inches Minimum
2	Washer	Brass	Nickel
3	Spring Washer	SK-5	Nickel
4	Washer	Brass	Nickel
5	Gasket	Rubber	Red
6	Insulation	PTFE	None
7	Shell	Zinc	Nickel
8	Crimp Ferrule	Brass	Nickel
9	Centre Contact	Brass	Gold

Tolerance	
.X	± 0.2
.XX	± 0.1
.XXX	± 0.05
Angle	$\pm 5^\circ$

Part Number Table

Description	Part Number
BNC Straight Plug	MC23594

Important Notice : This data sheet and its contents (the "Information") belong to the members of the Premier Farnell group of companies (the "Group") or are licensed to it. No licence is granted for the use of it other than for information purposes in connection with the products to which it relates. No licence of any intellectual property rights is granted. The Information is subject to change without notice and replaces all data sheets previously supplied. The Information supplied is believed to be accurate but the Group assumes no responsibility for its accuracy or completeness, any error in or omission from it or for any use made of it. Users of this data sheet should check for themselves the Information and the suitability of the products for their purpose and not make any assumptions based on information included or omitted. Liability for loss or damage resulting from any reliance on the Information or use of it (including liability resulting from negligence or where the Group was aware of the possibility of such loss or damage arising) is excluded. This will not operate to limit or restrict the Group's liability for death or personal injury resulting from its negligence. Multicomp is the registered trademark of the Group. © Premier Farnell plc 2012.