

AC-DC Unregulated Plugtop Adaptors

Features

- 230Vac Mains Input Voltage only
- Mains Vac to low voltage DC converter/adaptor
- Attractive black plastic case
- Unregulated DC output voltage
- UK, Euro and Desktop configurations from stock
- 1.8Meter O/P lead (majority of units)
- 2.1mm C+ve or multipack O/P plugs
- 1 Year Warranty



More Information

Our AC-DC UK & Euro Plugtop unregulated adaptors are high quality and high reliability units which operate in Europe and countries running 230VAC 50Hz mains voltage. As standard they come in a black plastic case but this along with many other features can be modified for a custom order for very specific individual customer requirements. These units are manufactured in China and comply with EN60950-1, CE, EMC and safety requirements.

Please Note: Many AC-DC adaptors are not very energy efficient and can not meet Level IV and V energy efficiency requirements as set out in European law, however there are many exemptions. Please make sure you bear this in mind when you design new products and consider our range of AC-DC switch-mode power supplies instead.

Product Selection Chart with electrical specifications

Unregulated UK Plug Range

Part Number	Voltage (On load)	Voltage (Off Load)	Current	Insulation (@500VDC)	Hi-Pot Test (IP-OP)	Magnetising Current	Thermal Fuse	O/P Connector	Case Size.	Weight (Kg)
S2148ST	6Vdc	9.17Vdc	500mA	100Mohm.	3750Vac	50mA	130°C	6-pack	EI-41	0.35
S2061ST	9Vdc	12.5Vdc	300mA	100Mohm.	4200Vac	50mA	130°C	6-pack	EI-41	0.35
S2217MN	9Vdc	12.6Vdc	300mA	100Mohm.	3750Vac	30mA	125°C	2.1 C+ve	68x50x50mm	0.25
T2385ST	9Vdc	15.3Vdc	600mA	100Mohm.	3750Vac	50mA	130°C	6-pack	EI-41	0.35
T3725ST	9Vdc	15.2Vdc	600mA	100Mohm	4200Vac	45mA	130°C	2.1 C+ve	EI-41	0.33
T2527ST	9Vdc	14Vdc	1000mA	100Mohm	3750Vac	50mA	130°C	2.1 C+ve	EI-48	0.46
S2227ST	12Vdc	18.7Vdc	500mA	100Mohm	3750Vac	50mA	130°C	6-pack	EI-41	0.36
T3543ST	12Vdc	18.3Vdc	500mA	100Mohm	3750Vac	40mA	125°C	2.1 C+ve	67x50x80mm	0.35
T2330ST	12Vdc	17.1Vdc	1000mA	100Mohm	3750Vac	60mA	130°C	6-pack	EI-48	0.57
T2528ST	12Vdc	17.1Vdc	1000mA	100Mohm	3750Vac	60mA	130°C	2.1 C+ve	EI-48	0.54
T3613ST	12Vdc	17.3Vdc	1000mA	100Mohm	3750Vac	50mA	125°C	2.1 C+ve	75x58x80mm	0.55
S2071ST	18Vdc	25.4Vdc	500mA	100Mohm	3750Vac	50mA	130°C	6-pack	EI-48	0.48
S2263ST	24Vdc	34Vdc	400mA	100Mohm	3750Vac	60mA	130°C	6-pack	EI-48	0.48

Unregulated Euro Plug Range

Part Number	Voltage (On load)	Voltage (Off Load)	Current	Insulation (@500VDC)	Hi-Pot Test	Magnetising Current	Thermal Fuse	O/P Connector	Case Size.	Weight (Kg)
S2170ST	12Vdc	18.7Vdc	500mA	100Mohm	3750Vac	50mA	130°C	6-pack	EI-41	0.33
T3277ST	12Vdc	18.5Vdc	500mA	100Mohm	3750Vac	70mA	125°C	2.1 C+ve	67x50x80mm	0.34
S2285ST	12Vdc	19.1Vdc	1000mA	100Mohm	4200Vac	60mA	130°C	6-pack	EI-48	0.56



Stontronics Ltd

Chancerygate Business Centre, Cradock Road, Reading, Berkshire, RG2 0AH.

Tel: +44 (0) 118 931 1199 • Fax: +44 (0) 118 931 1145 • Email: info@stontronics.co.uk • Web: www.stontronics.co.uk

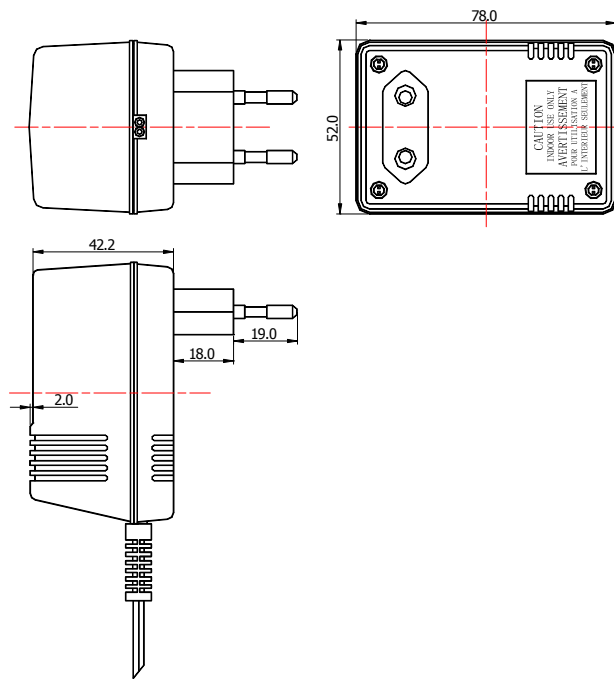
Please Note: Image shown is representative of entire range. Individual PSU image &/or drawings or data sheets available on request.

Stontronics Ltd accepts no responsibility for typographical errors in the production of this leaflet. Product specifications are subject to change without notice.

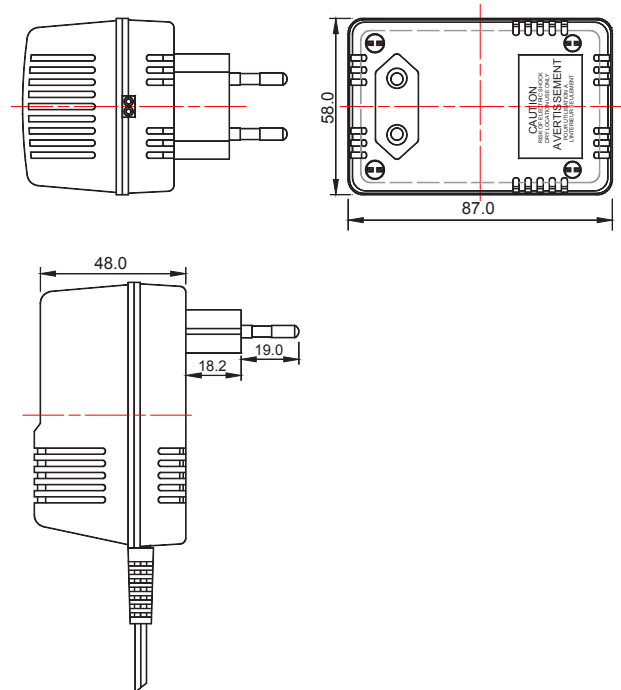
AC-DC Regulated Adaptors (Plugtop & Desktop Configurations)

More Information
 Euro Plugtop Drawings

• EI-41-EU:



• EI-48-EU:



For more information on any part or to request a custom unit please contact the Stontronics on +44 (0) 118 931 1199.

Our technical sales team can help you source a unit to your exact specifications however complex they might be.



Stontronics Ltd

Chancerygate Business Centre, Cradock Road, Reading, Berkshire, RG2 0AH.

Tel: +44 (0) 118 931 1199 • Fax: +44 (0) 118 931 1145 • Email: info@stontronics.co.uk • Web: www.stontronics.co.uk

Please Note: Image shown is representative of entire range. Individual PSU image &/or drawings or data sheets available on request.

Stontronics Ltd accepts no responsibility for typographical errors in the production of this leaflet. Product specifications are subject to change without notice.