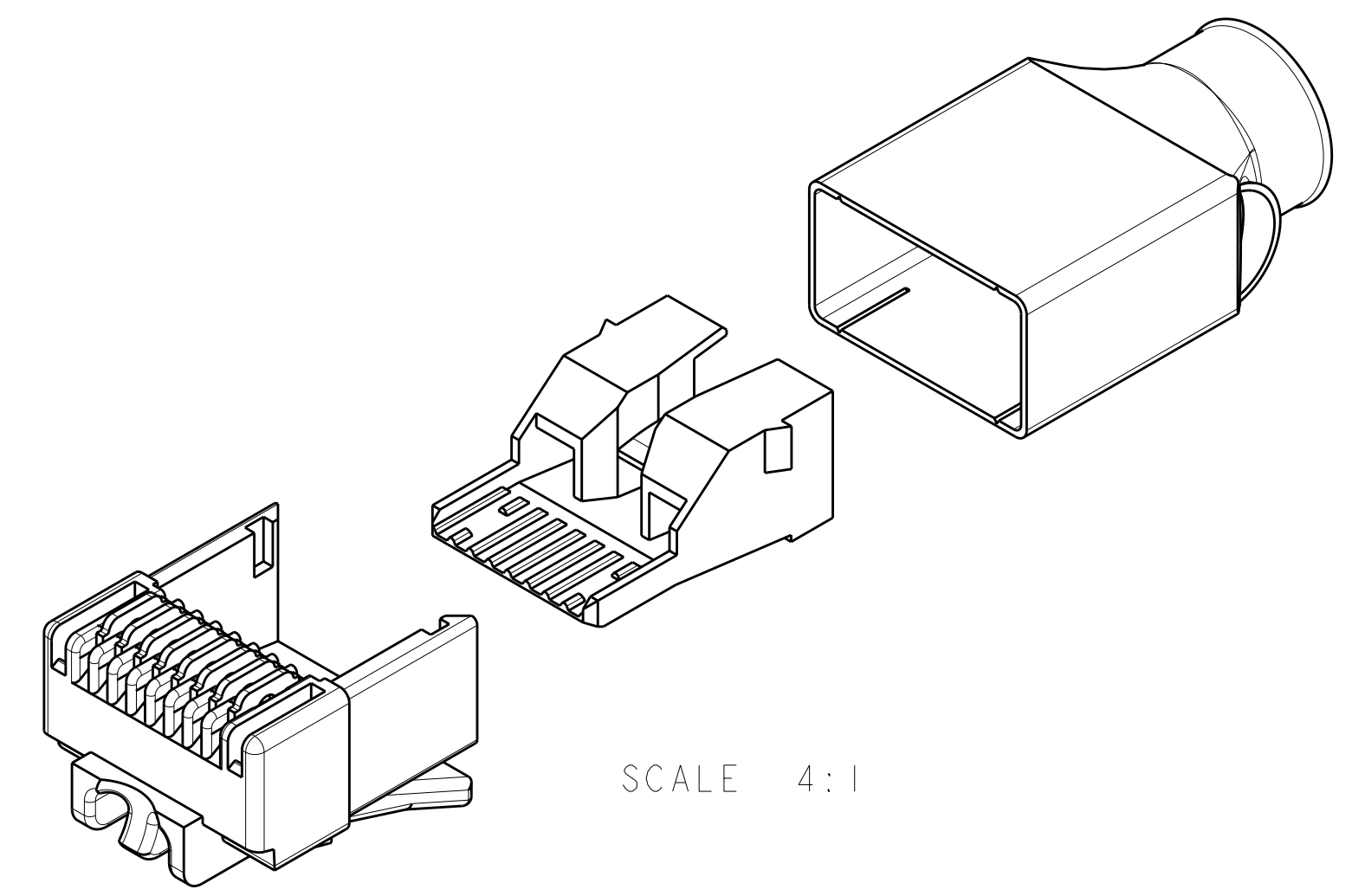
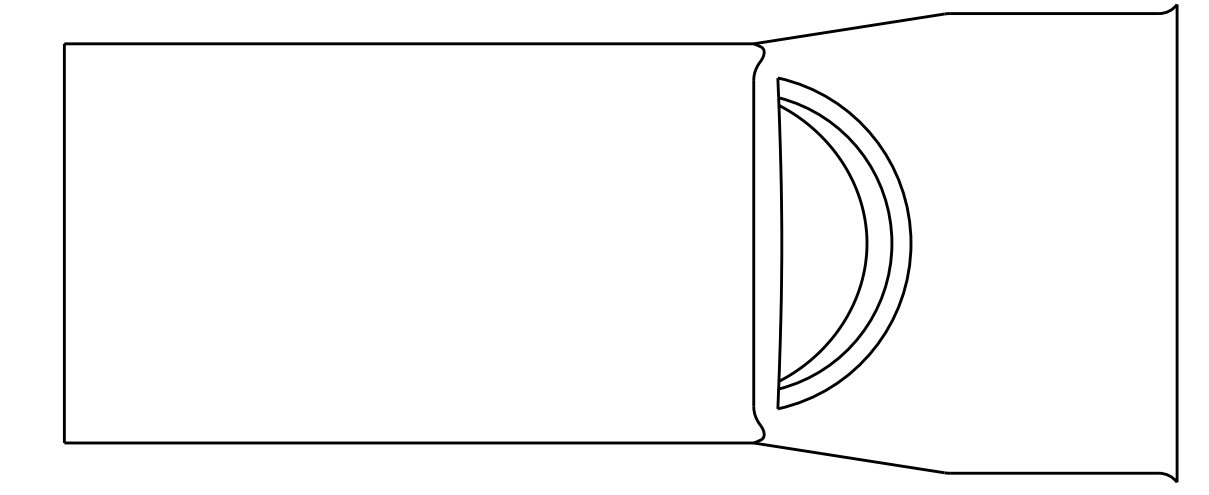
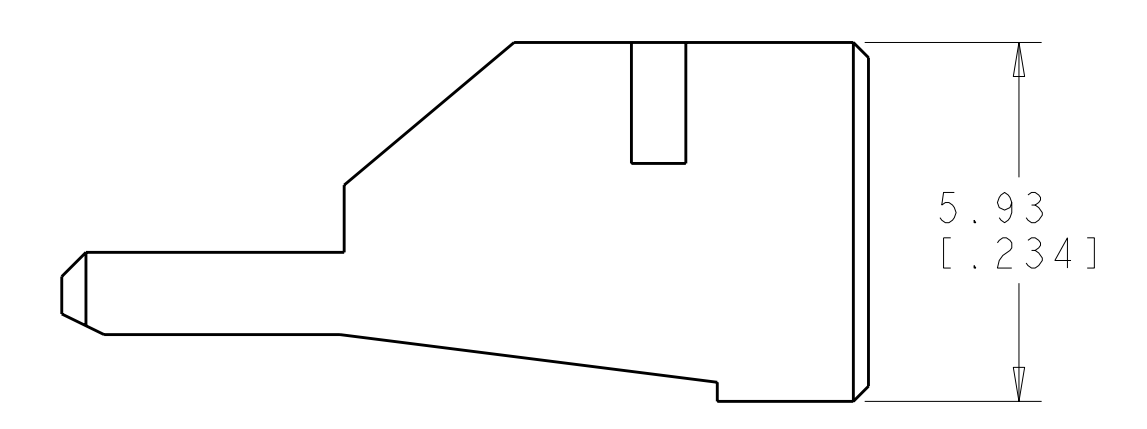
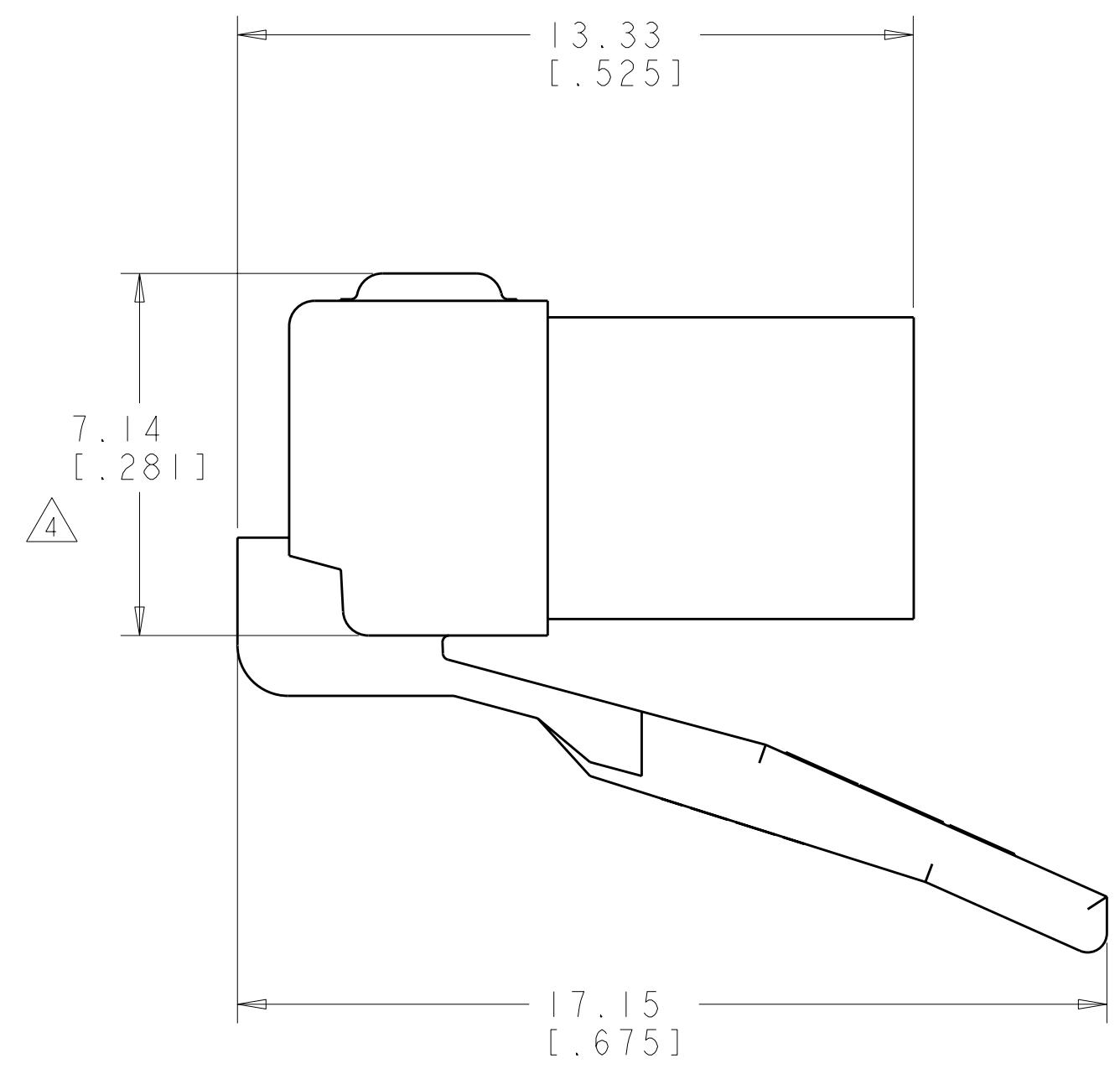
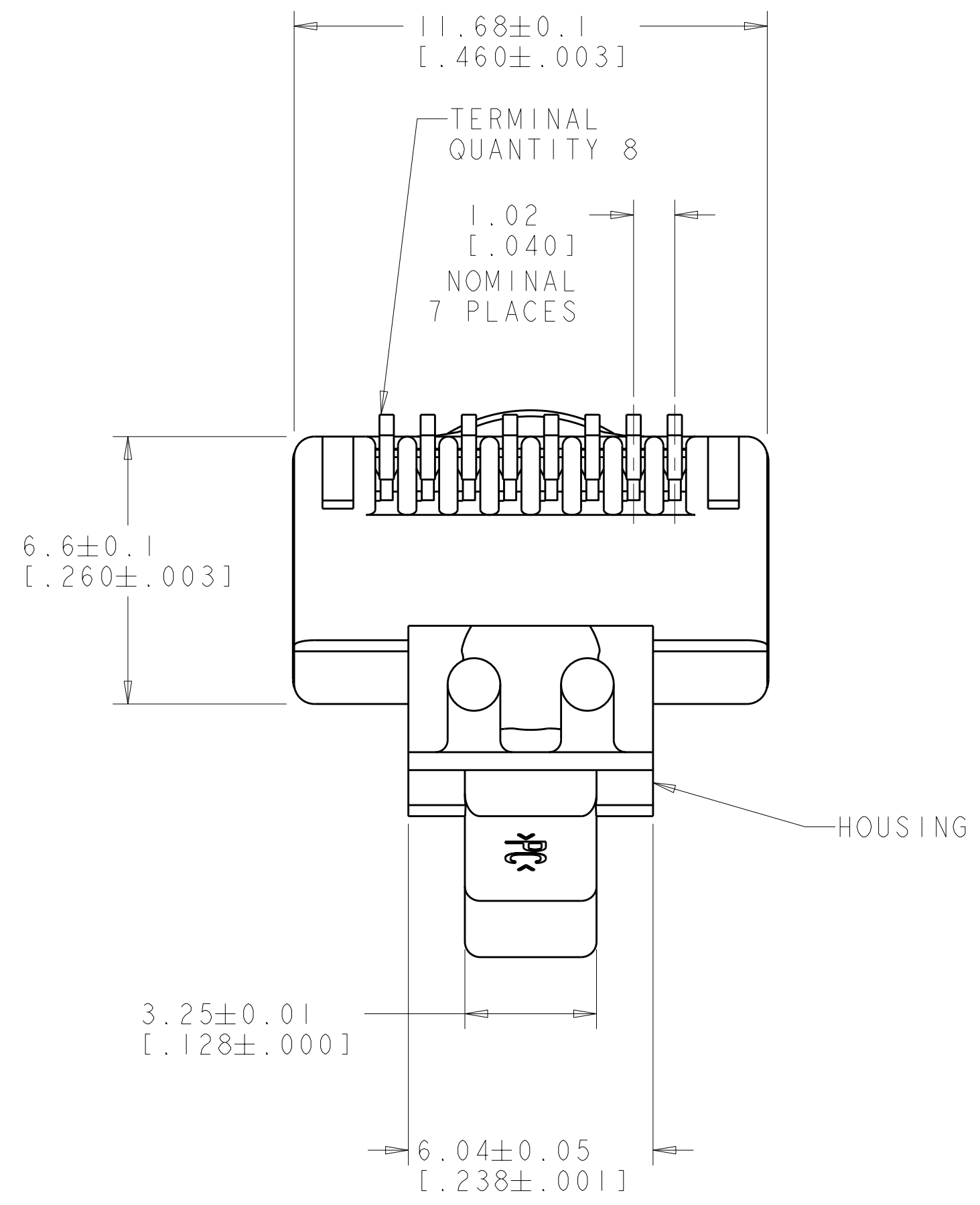
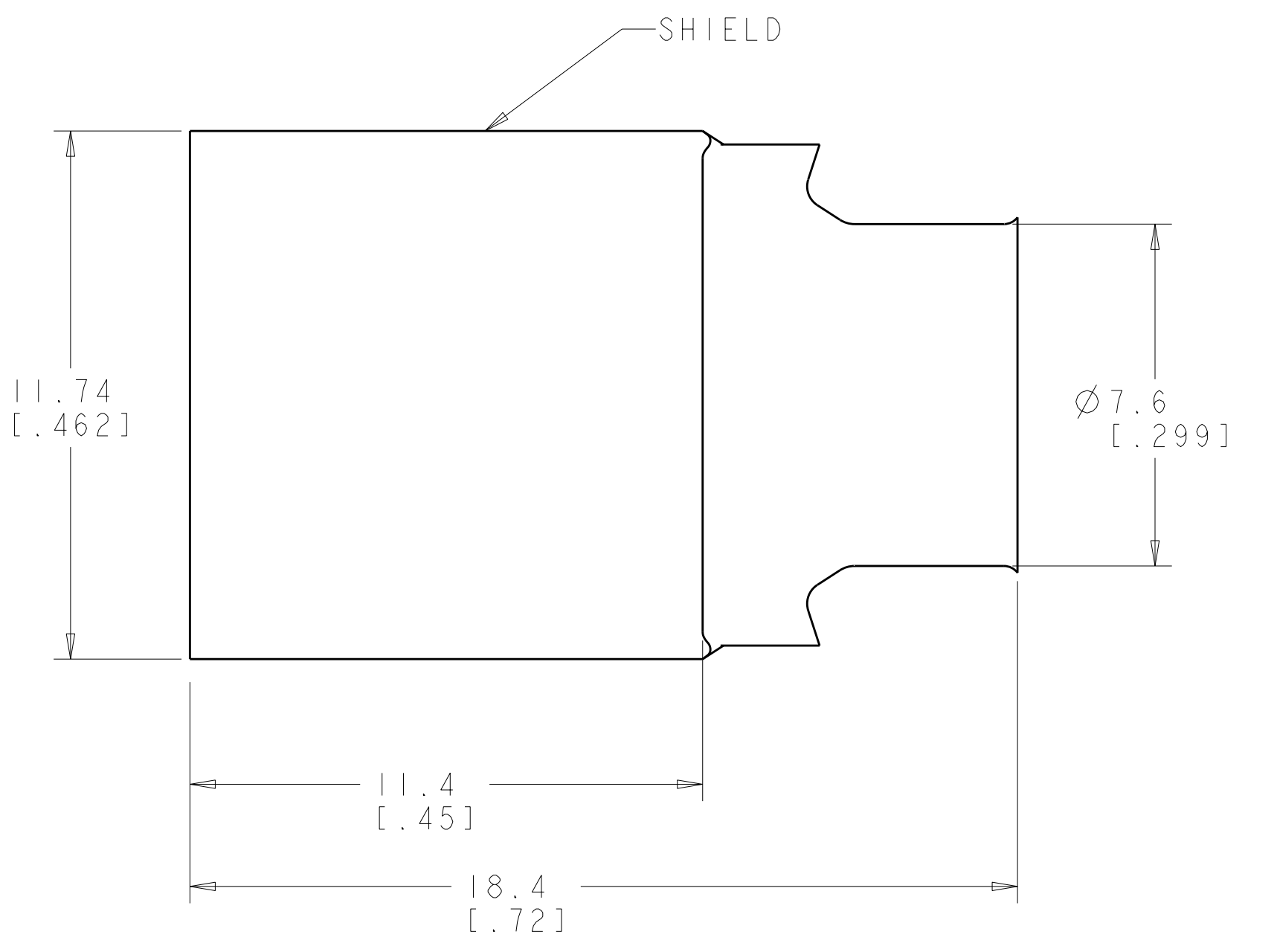
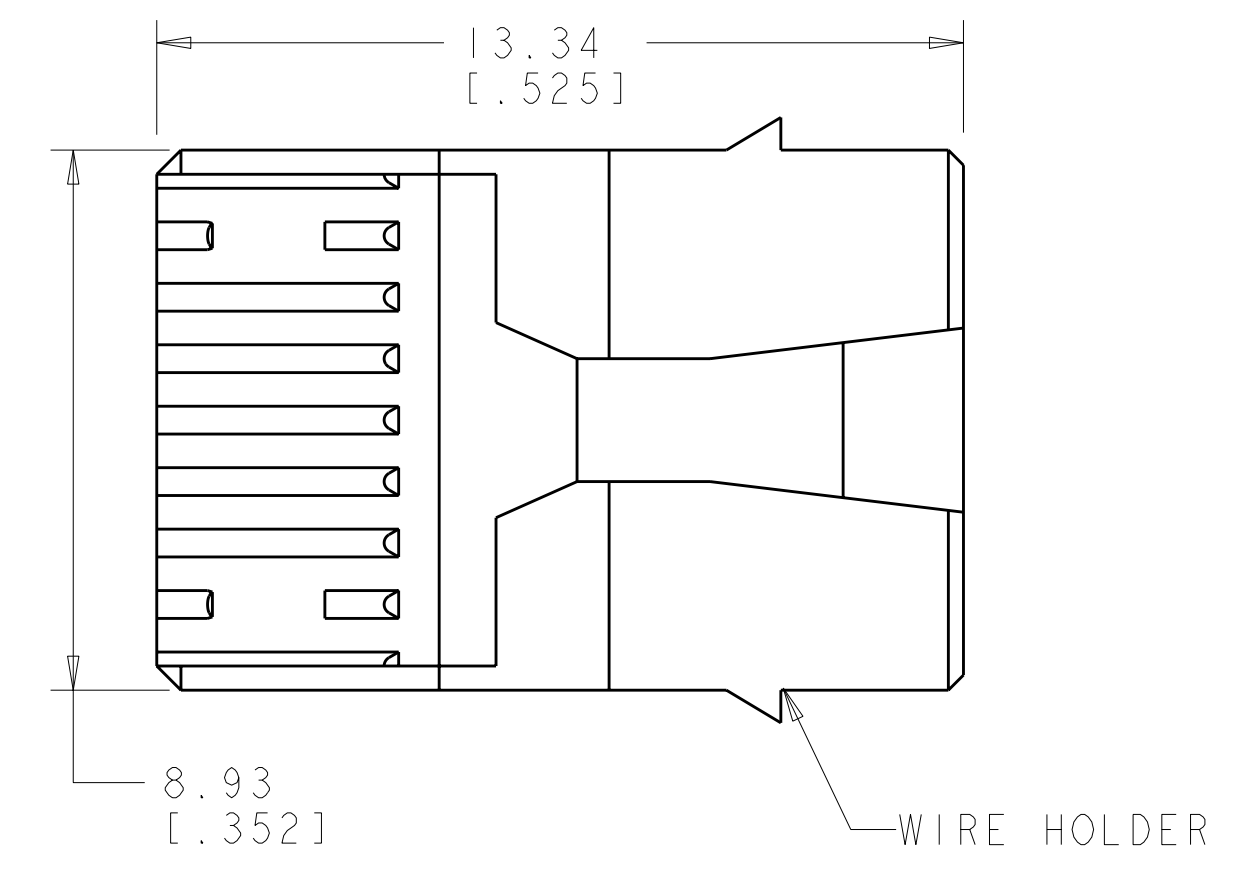
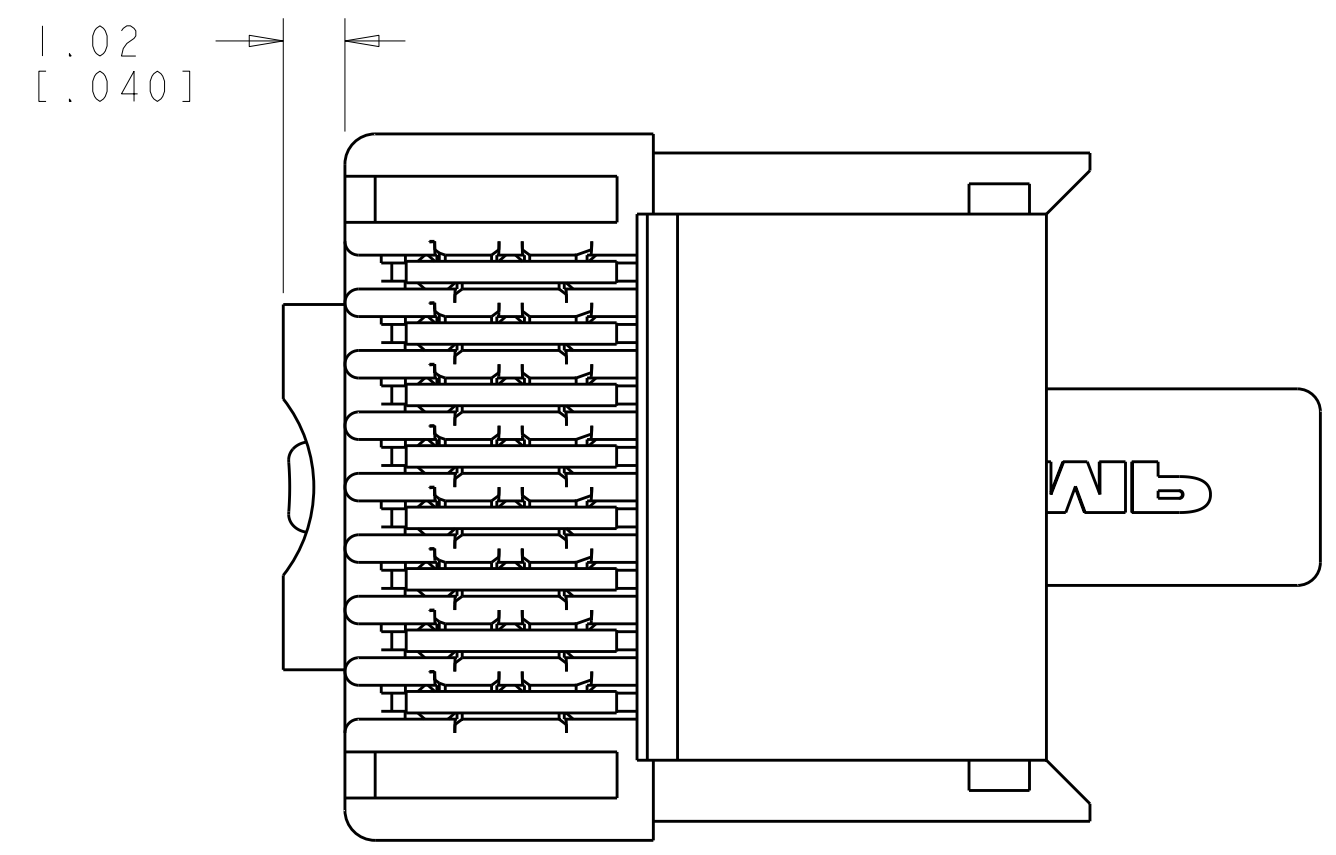


LOC		DIST		REVISIONS			
REV	DATE	DESCRIPTION	DATE	DWN	APVD		
D1		REVISED PER ECO-11-005027	14MAR2011	RK	HMR		



SCALE 4:1

- 1. MATERIAL: HOUSING - 94V-0 RATED POLYCARBONATE CLEAR TERMINAL - 0.36 [.014] THICK PHOSPHAR BRONZE PLATED WITH 1.27 μ m [.000050] MINIMUM THICK GOLD IN LOCALIZED AREA, GOLD FLASH OVER THE REMAINDER, OVER 2.54 μ m [.000100] MINIMUM THICK NICKEL UNDERPLATE. WIRE HOLDER - POLYCARBONATE MAKROLON CLEAR. SHIELD - BRASS DIN 17660 - CuZn33
- 2. DIMENSIONS ARE NOMINAL UNLESS OTHERWISE SPECIFIED.
- 3. PLUG WILL ACCEPT A 23-24 AWG SOLID CONDUCTOR, PROVIDED THE INSULATION CONDUCTOR DIAMETER IS WITHIN .89 - 1.09 [.035 - .043]; WITH THE SUM OF DIAMETERS FOR ALL EIGHT CONDUCTORS WITHIN THE CABLE MUST NOT EXCEED 7.8MM [.31 IN]. CABLE JACKET DIAMETER OF 6.0 - 7.0 MM [.24 - .28 IN].
- 4. TERMINATED DIMENSION 6.15 [.242] MAXIMUM.
- 5. PACKAGE 1,000 ASSEMBLIES, 1,000 WIRE HOLDERS, AND 1,000 SHIELDS.
- 6. PACKAGE 100 ASSEMBLIES, 100 WIRE HOLDERS, AND 100 SHIELDS.
- 7. PACKAGE 25 ASSEMBLIES, 25 WIRE HOLDERS, AND 25 SHIELDS.
- 8. PACKAGE 500 ASSEMBLIES, 500 WIRE HOLDERS, AND 500 SHIELDS.
- 9. MODULAR PLUG BOOT PART NUMBER 1711510-X (X-DENOTES VARIOUS COLORS) MAY BE USED WITH KIT ASSEMBLY SHOWN.
- 10. UL RECOGNIZED: FILE NUMBER E81956.



7	5-1479185-4
6	5-1479185-3
8	5-1479185-2
5	5-1479185-1
PACKAGE	PART NO.

THIS DRAWING IS A CONTROLLED DOCUMENT.		DWN: S. GARRETT 24JAN02	TE Connectivity	
DIMENSIONS: MME [INCHES]		CHK: M. DELPHIAS 24JAN02	KIT, 8 POSITION, MODULAR PLUG, SOLID WIRE, CATEGORY 6	
TOLERANCES UNLESS OTHERWISE SPECIFIED:		APVD: M. DELPHIAS 24JAN02	NAME	
0 PLC	±	PRODUCT SPEC	SIZE CAGE CODE DRAWING NO RESTRICTED TO	
1 PLC	±	APPLICATION SPEC	A100779C=1479185	
2 PLC	±	WEIGHT	SCALE 8:1 SHEET 1 OF 1 REV D1	
3 PLC	±	CUSTOMER DRAWING		
4 PLC	±			
ANGLES	±			
FINISH	±			