

Kulka® Military Class (A-A-59125) / (MIL-T-55164*)

Military Class: Closed Back

Supercedes MIL-T-59125

These military blocks feature molded-in terminals in an improved Kulka® design for greater strength and flexibility. The mounting holes are covered with molded-in reinforcement straddle plates.



37TB04B

| A-A-59125/ MIL-T-55164 Information | | Terminal Type | Voltage | | Current | Wire & Lug Information | | | | |
|--|--------|---------------------------|-------------|------------|------------------|------------------------|-----------|------------|---------------------|--------------------|
| Class | Spec # | | Description | Max Rated | | Dielectric with Test | Max Rated | Screw Size | RECMD Max Wire Size | MS17143 Lug # |
| 37 TB | / 1 | Double Screw | 300 V RMS | 3000 V RMS | 15 Amp 60 Hz | #6 | #16 AWG | -11 | 0.282" [7.2] | 8-10 [0.9-1.1] |
| 38 TB | / 2 | Double Screw | 600 V RMS | 3400 V RMS | 20 Amp 60 Hz | #6 | #14 AWG | -14 | 0.31" [7.9] | 8-10 [0.9-1.1] |
| 39 TB | / 3 | Double Screw | 600 V RMS | 4000 V RMS | 30 Amp 60 Hz | #8 | #10 AWG | -9 | 0.41" [10.4] | 10-12 [1.1-1.4] |
| 40 TB | / 4 | Single Screw Feed Thru | 300 V RMS | 3000 V RMS | 7.5 Amp 60 Hz | #6 | #18 AWG | -10 | 0.282" [7.2] | 8-10 [0.9-1.1] |
| 41 TB | / 5 | Single Screw Feed Thru | 600 V RMS | 3400 V RMS | 10 Amp 60 Hz | #6 | #16 AWG | -14 | 0.31" [7.9] | 8-10 [0.9-1.1] |
| 42 TB | / 6 | Single Screw Feed Thru | 600 V RMS | 4000 V RMS | 15 Amp 60 Hz | #8 | #14 AWG | -8 | 0.41" [10.4] | 10-12 [1.1-1.4] |

*Marathon Special Products manufactures terminal blocks that are constructed to meet MIL-T-55164C and A-A-59125. Mil standard A-A-59125, dated September 16, 1997, supercedes MIL-T-55164C. We will continue to supply the same parts for this spec. The CID identifier will be the same class number as for MIL-T-55164C.

The old MIL-T-55164C standard required Group A and Group B testing. The Group B testing was required every three years. Since the new A-A-59125 standard does not require Group B testing, we have elected to discontinue this test. We will continue to do Group A testing.

The following blocks are effected by this change:

Class/Spec #

- 37TB / 1
- 38TB / 2
- 39TB / 3
- 40TB / 4
- 41TB / 5
- 42TB / 6

Kulka® Military Class (A-A-59125) / (MIL-T-55164)

37TB-B/40TB-B Series

300 Volts AC/DC

Specifications:

- Base, Valox 420-SEO, Grey Color, 130°C
- Closed Back Design
- Screws, Brass Nickel Plate, 6-32 Binder Head, Slotted
- Terminals, Brass Nickel Plate, Ultrasonically Inserted
- 2-20 Poles, Consult Customer Service for Longer Lengths
- 3/8" Centers
- Flammability Rating 94 V-O
- Wire Size #16
- 15 Amps
- Parts are supplied with end plates
- RoHS Compliant



37TB04B



40TB04B

| Catalog Number | Number of Poles | Dimensions | |
|----------------|-----------------|------------|------|
| | | A | B |
| 37TB02B | 2 | 1.41 | 1.12 |
| 37TB03B | 3 | 1.78 | 1.50 |
| 37TB04B | 4 | 2.16 | 1.88 |
| 37TB05B | 5 | 2.53 | 2.25 |
| 37TB06B | 6 | 2.91 | 2.62 |
| 37TB07B | 7 | 3.28 | 3.00 |
| 37TB08B | 8 | 3.66 | 3.38 |
| 37TB09B | 9 | 4.03 | 3.75 |
| 37TB10B | 10 | 4.41 | 4.12 |
| 37TB11B | 11 | 4.78 | 4.50 |
| 37TB12B | 12 | 5.16 | 4.88 |
| 37TB13B | 13 | 5.53 | 5.25 |
| 37TB14B | 14 | 5.91 | 5.62 |
| 37TB15B | 15 | 6.28 | 6.00 |
| 37TB16B | 16 | 6.66 | 6.38 |
| 37TB17B | 17 | 7.03 | 6.75 |
| 37TB18B | 18 | 7.41 | 7.12 |
| 37TB19B | 19 | 7.78 | 7.50 |
| 37TB20B | 20 | 8.16 | 7.88 |

Hardware Options:

Lug Types (Commercial):

3/4 ST 600 = Half Solder

ST600 = Full Solder

See Page 102

See Page 102

Feed-Thru Hardware Options:

Long Feed-Thru Solder

40TB B Only

Accessories: (Jumper Commercial Grade)

Marking Strips = MSA, MSB, MSC

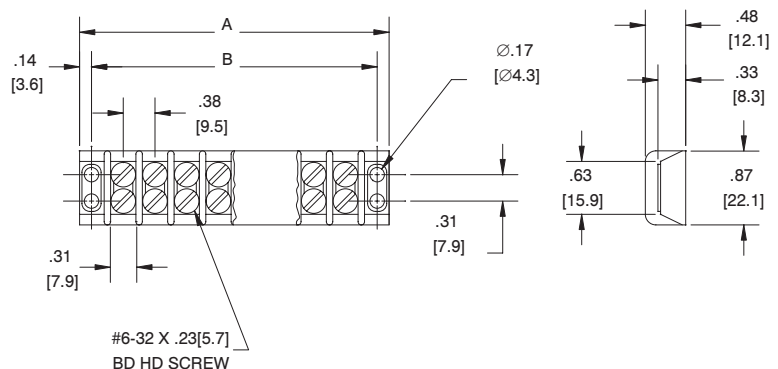
Jumper = J600, 600RJ, 600RJ(S)

See Page 134

See Page 103

Service Options:

Consult Customer Service



Kulka® Military Class (A-A-59125) / (MIL-T-55164)

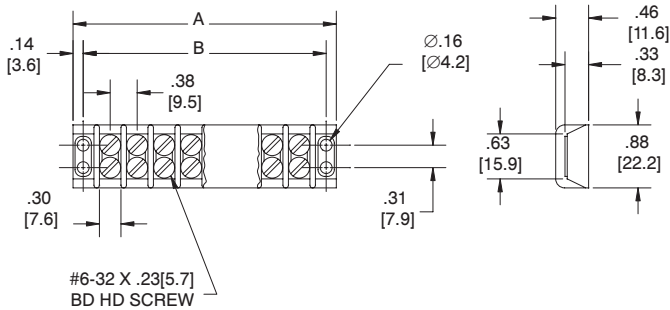
37TB-Military Class (A-A-59125/1)/(MIL-T-55164/1)

Molded Material:

- Plastic: Grade F temperature rating 155°C per MIL-M-14
- Screws: Brass per QQ-W-321, nickel plated per QQ-N-290
- Terminal Plates: Brass per QQ-B-613, nickel plated per QQ-N-290

Electrical Rating:

- Rated voltage (maximum): 300 volts
- Current rating: 15 Amps
- D.W.V.: 3000 volts RMS



| Military Type Designation | Number of poles | Dimensions | |
|---------------------------|-----------------|---------------|---------------|
| | | A | B |
| 37TB 02 F | 2 | 1.360-1.453 | 1.109-1.156 |
| 37TB 03 F | 3 | 1.735-1.828 | 1.484-1.531 |
| 37TB 04 F | 4 | 2.110-2.203 | 1.859-1.906 |
| 37TB 05 F | 5 | 2.500-2.593 | 2.234-2.281 |
| 37TB 06 F | 6 | 2.876-2.969 | 2.609-2.656 |
| 37TB 07 F | 7 | 3.250-3.343 | 2.984-3.031 |
| 37TB 08 F | 8 | 3.626-3.719 | 3.359-3.406 |
| 37TB 09 F | 9 | 4.000-4.093 | 3.734-3.781 |
| 37TB 10 F | 10 | 4.376-4.469 | 4.109-4.156 |
| 37TB 11 F | 11 | 4.750-4.843 | 4.484-4.531 |
| 37TB 12 F | 12 | 5.126-5.219 | 4.859-4.906 |
| 37TB 13 F | 13 | 5.500-5.593 | 5.234-5.281 |
| 37TB 14 F | 14 | 5.876-5.969 | 5.609-5.656 |
| 37TB 15 F | 15 | 6.250-6.365 | 5.969-6.047 |
| 37TB 16 F | 16 | 6.626-6.735 | 6.344-6.422 |
| 37TB 17 F | 17 | 7.000-7.109 | 6.719-6.797 |
| 37TB 18 F | 18 | 7.376-7.485 | 7.094-7.172 |
| 37TB 19 F | 19 | 7.752-7.812 | 7.469-7.547 |
| 37TB 20 F | 20 | 8.127-8.187 | 7.844-7.922 |
| 37TB 21 F | 21 | 8.502-8.562 | 8.219-8.297 |
| 37TB 22 F | 22 | 8.877-8.937 | 8.594-8.672 |
| 37TB 23 F | 23 | 9.252-9.312 | 8.969-9.047 |
| 37TB 24 F | 24 | 9.627-9.687 | 9.344-9.422 |
| 37TB 25 F | 25 | 10.002-10.062 | 9.719-9.797 |
| 37TB 26 F | 26 | 10.377-10.437 | 10.094-10.172 |
| 37TB 27 F | 27 | 10.752-10.812 | 10.469-10.547 |
| 37TB 28 F | 28 | 11.127-11.187 | 10.844-10.922 |
| 37TB 29 F | 29 | 11.502-11.562 | 11.219-11.297 |
| 37TB 30 F | 30 | 11.877-11.937 | 11.594-11.672 |
| 37TB 31 F | 31 | 12.252-12.312 | 11.969-12.047 |

mm=dim X 25.4

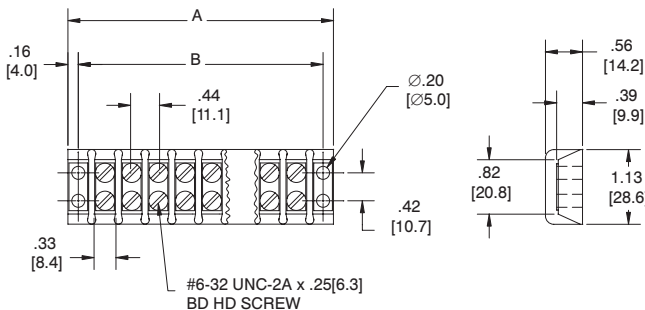
38TB-Military Class (A-A-59125/2)/(MIL-T-55164/2)

Molded Material:

- Plastic: Grade F temperature rating 155°C per MIL-M-14
- Screws: Brass per QQ-W-321, nickel plated per QQ-N-290
- Terminal Plates: Brass per QQ-B-613, nickel plated per QQ-N-290

Electrical Rating:

- Rated voltage (maximum): 600 volts
- Current rating: 20 Amps
- D.W.V.: 3400 volts RMS



| Military Type Designation | Number of poles | Dimensions | |
|---------------------------|-----------------|---------------|---------------|
| | | A | B |
| 38TB 02 F | 2 | 1.579-1.672 | 1.296-1.343 |
| 38TB 03 F | 3 | 2.016-2.109 | 1.734-1.781 |
| 38TB 04 F | 4 | 2.454-2.547 | 2.172-2.219 |
| 38TB 05 F | 5 | 2.891-2.984 | 2.609-2.656 |
| 38TB 06 F | 6 | 3.329-3.422 | 3.046-3.093 |
| 38TB 07 F | 7 | 3.766-3.859 | 3.484-3.531 |
| 38TB 08 F | 8 | 4.204-4.297 | 3.937-3.984 |
| 38TB 09 F | 9 | 4.641-4.734 | 4.375-4.422 |
| 38TB 10 F | 10 | 5.079-5.172 | 4.812-4.859 |
| 38TB 11 F | 11 | 5.532-5.625 | 5.250-5.297 |
| 38TB 12 F | 12 | 5.969-6.078 | 5.687-5.734 |
| 38TB 13 F | 13 | 6.407-6.516 | 6.110-6.188 |
| 38TB 14 F | 14 | 6.844-6.953 | 6.547-6.625 |
| 38TB 15 F | 15 | 7.282-7.391 | 6.985-7.063 |
| 38TB 16 F | 16 | 7.719-7.828 | 7.422-7.500 |
| 38TB 17 F | 17 | 8.157-8.266 | 7.860-7.938 |
| 38TB 18 F | 18 | 8.594-8.703 | 8.297-8.375 |
| 38TB 19 F | 19 | 9.079-9.156 | 8.750-8.828 |
| 38TB 20 F | 20 | 9.517-9.594 | 9.188-9.266 |
| 38TB 21 F | 21 | 9.954-10.031 | 9.625-9.703 |
| 38TB 22 F | 22 | 10.392-10.469 | 10.063-10.141 |
| 38TB 23 F | 23 | 10.829-10.906 | 10.500-10.578 |

mm=dim X 25.4

Kulka® Military Class

(A-A-59125) / (MIL-T-55164)

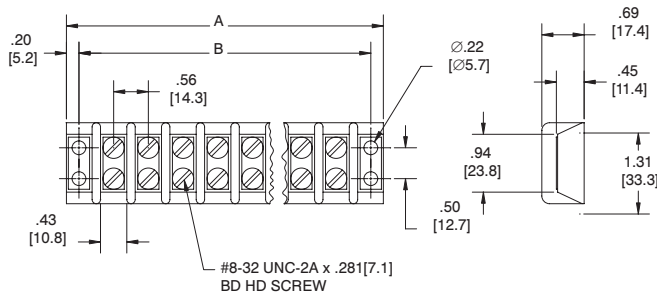
39TB-Military Class (A-A-59125/3)/(MIL-T-55164/3)

Molded Material:

- Plastic: Grade F temperature rating 155°C per MIL-M-14
- Screws: Brass per QQ-W-321, nickel plated per QQ-N-290
- Terminal Plates: Brass per QQ-B-613, nickel plated per QQ-N-290

Electrical Rating:

- Rated voltage (maximum): 600 volts
- Current rating: 30 Amps
- D.W.V.: 4000 volts RMS



| Military Type Designation | Number of poles | Dimensions | |
|---------------------------|-----------------|---------------|---------------|
| | | A | B |
| 39TB 02 F | 2 | 2.047-2.140 | 1.672-1.719 |
| 39TB 03 F | 3 | 2.626-2.719 | 2.234-2.281 |
| 39TB 04 F | 4 | 3.188-3.281 | 2.796-2.843 |
| 39TB 05 F | 5 | 3.750-3.843 | 3.359-3.406 |
| 39TB 06 F | 6 | 4.313-4.406 | 3.922-3.969 |
| 39TB 07 F | 7 | 4.876-4.969 | 4.484-4.531 |
| 39TB 08 F | 8 | 5.438-5.531 | 5.046-5.093 |
| 39TB 09 F | 9 | 6.000-6.109 | 5.625-5.672 |
| 39TB 10 F | 10 | 6.563-6.672 | 6.172-6.250 |
| 39TB 11 F | 11 | 7.126-7.235 | 6.719-6.797 |
| 39TB 12 F | 12 | 7.688-7.797 | 7.297-7.375 |
| 39TB 13 F | 13 | 8.250-8.359 | 7.860-7.938 |
| 39TB 14 F | 14 | 8.813-8.922 | 8.422-8.500 |
| 39TB 15 F | 15 | 9.376-9.485 | 8.985-9.063 |
| 39TB 16 F | 16 | 9.938-10.047 | 9.547-9.625 |
| 39TB 17 F | 17 | 10.500-10.609 | 10.110-10.188 |
| 39TB 18 F | 18 | 11.079-11.188 | 10.672-10.750 |

mm=dim X 25.4

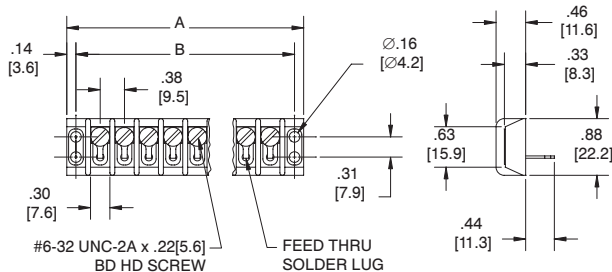
40TB-Military Class (A-A-59125/4)/(MIL-T-55164/4)

Molded Material:

- Same as 37 TB Class
- Hardware: Lug, Brass per QQ-B-613, tin plated

Electrical Rating:

- Rated voltage (maximum): 300 volts
- Current rating: 7.5 Amps
- D.W.V.: 3000 volts RMS



| Military Type Designation | Number of poles | Dimensions | |
|---------------------------|-----------------|---------------|---------------|
| | | A | B |
| 40TB 02 F | 2 | 1.360-1.453 | 1.109-1.156 |
| 40TB 03 F | 3 | 1.735-1.828 | 1.484-1.531 |
| 40TB 04 F | 4 | 2.110-2.203 | 1.859-1.906 |
| 40TB 05 F | 5 | 2.500-2.593 | 2.234-2.281 |
| 40TB 06 F | 6 | 2.876-2.969 | 2.609-2.656 |
| 40TB 07 F | 7 | 3.250-3.343 | 2.984-3.031 |
| 40TB 08 F | 8 | 3.626-3.719 | 3.359-3.406 |
| 40TB 09 F | 9 | 4.000-4.093 | 3.734-3.781 |
| 40TB 10 F | 10 | 4.376-4.469 | 4.109-4.156 |
| 40TB 11 F | 11 | 4.750-4.843 | 4.484-4.531 |
| 40TB 12 F | 12 | 5.126-5.219 | 4.859-4.906 |
| 40TB 13 F | 13 | 5.500-5.593 | 5.234-5.281 |
| 40TB 14 F | 14 | 5.876-5.969 | 5.609-5.656 |
| 40TB 15 F | 15 | 6.250-6.365 | 5.969-6.047 |
| 40TB 16 F | 16 | 6.626-6.735 | 6.344-6.422 |
| 40TB 17 F | 17 | 7.000-7.109 | 6.719-6.797 |
| 40TB 18 F | 18 | 7.376-7.485 | 7.094-7.172 |
| 40TB 19 F | 19 | 7.752-7.812 | 7.469-7.547 |
| 40TB 20 F | 20 | 8.127-8.187 | 7.844-7.922 |
| 40TB 21 F | 21 | 8.502-8.562 | 8.219-8.297 |
| 40TB 22 F | 22 | 8.877-8.937 | 8.594-8.672 |
| 40TB 23 F | 23 | 9.252-9.312 | 8.969-9.047 |
| 40TB 24 F | 24 | 9.627-9.687 | 9.344-9.422 |
| 40TB 25 F | 25 | 10.002-10.062 | 9.719-9.797 |
| 40TB 26 F | 26 | 10.377-10.437 | 10.094-10.172 |
| 40TB 27 F | 27 | 10.752-10.812 | 10.469-10.547 |
| 40TB 28 F | 28 | 11.127-11.187 | 10.844-10.922 |
| 40TB 29 F | 29 | 11.502-11.562 | 11.219-11.297 |
| 40TB 30 F | 30 | 11.877-11.937 | 11.594-11.672 |
| 40TB 31 F | 31 | 12.252-12.312 | 11.969-12.047 |

mm=dim X 25.4

Kulka® Military Class (A-A-59125) / (MIL-T-55164)

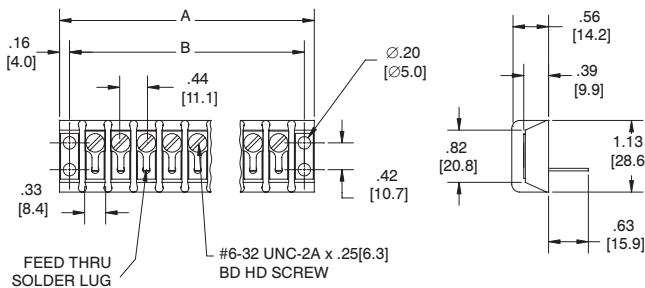
41TB-Military Class (A-A-59125/5)/(MIL-T-55164/5)

Molded Material:

- Same as 38 TB Class
- Hardware: Lug, Brass per QQ-B-613, tin plated

Electrical Rating:

- Rated voltage (maximum): 600 volts
- Current rating: 10 Amps
- D.W.V.: 3400 volts RMS



| Military Type Designation | Number of poles | Dimensions | |
|---------------------------|-----------------|---------------|---------------|
| | | A | B |
| 41TB 02 F | 2 | 1.579-1.672 | 1.296-1.343 |
| 41TB 03 F | 3 | 2.016-2.109 | 1.734-1.781 |
| 41TB 04 F | 4 | 2.454-2.547 | 2.172-2.219 |
| 41TB 05 F | 5 | 2.891-2.984 | 2.609-2.656 |
| 41TB 06 F | 6 | 3.329-3.422 | 3.046-3.093 |
| 41TB 07 F | 7 | 3.766-3.859 | 3.484-3.531 |
| 41TB 08 F | 8 | 4.204-4.297 | 3.937-3.984 |
| 41TB 09 F | 9 | 4.641-4.734 | 4.375-4.422 |
| 41TB 10 F | 10 | 5.079-5.172 | 4.812-4.859 |
| 41TB 11 F | 11 | 5.532-5.625 | 5.250-5.297 |
| 41TB 12 F | 12 | 5.969-6.078 | 5.687-5.734 |
| 41TB 13 F | 13 | 6.407-6.516 | 6.110-6.188 |
| 41TB 14 F | 14 | 6.844-6.953 | 6.547-6.625 |
| 41TB 15 F | 15 | 7.282-7.391 | 6.985-7.063 |
| 41TB 16 F | 16 | 7.719-7.828 | 7.422-7.500 |
| 41TB 17 F | 17 | 8.157-8.266 | 7.860-7.938 |
| 41TB 18 F | 18 | 8.594-8.703 | 8.297-8.375 |
| 41TB 19 F | 19 | 9.079-9.156 | 8.750-8.828 |
| 41TB 20 F | 20 | 9.517-9.594 | 9.188-9.266 |
| 41TB 21 F | 21 | 9.954-10.031 | 9.625-9.703 |
| 41TB 22 F | 22 | 10.392-10.469 | 10.063-10.141 |
| 41TB 23 F | 23 | 10.829-10.906 | 10.500-10.578 |

mm=dim X 25.4

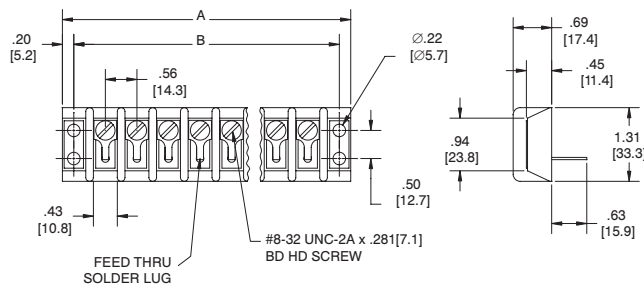
42TB-Military Class (A-A-59125/6)/(MIL-T-55164/6)

Molded Material:

- Same as 39 TB Class
- Hardware: Lug, Brass per QQ-B-613, tin plated

Electrical Rating:

- Rated voltage (maximum): 600 volts
- Current rating: 15 Amps
- D.W.V.: 3400 volts RMS



| Military Type Designation | Number of poles | Dimensions | |
|---------------------------|-----------------|---------------|---------------|
| | | A | B |
| 42TB 02 F | 2 | 2.047-2.140 | 1.672-1.719 |
| 42TB 03 F | 3 | 2.626-2.719 | 2.234-2.281 |
| 42TB 04 F | 4 | 3.188-3.281 | 2.796-2.843 |
| 42TB 05 F | 5 | 3.750-3.843 | 3.359-3.406 |
| 42TB 06 F | 6 | 4.313-4.406 | 3.922-3.969 |
| 42TB 07 F | 7 | 4.876-4.969 | 4.484-4.531 |
| 42TB 08 F | 8 | 5.438-5.531 | 5.046-5.093 |
| 42TB 09 F | 9 | 6.000-6.109 | 5.625-5.672 |
| 42TB 10 F | 10 | 6.563-6.672 | 6.172-6.250 |
| 42TB 11 F | 11 | 7.126-7.235 | 6.719-6.797 |
| 42TB 12 F | 12 | 7.688-7.797 | 7.297-7.375 |
| 42TB 13 F | 13 | 8.250-8.359 | 7.860-7.938 |
| 42TB 14 F | 14 | 8.813-8.922 | 8.422-8.500 |
| 42TB 15 F | 15 | 9.376-9.485 | 8.985-9.063 |
| 42TB 16 F | 16 | 9.938-10.047 | 9.547-9.625 |
| 42TB 17 F | 17 | 10.500-10.609 | 10.110-10.188 |
| 42TB 18 F | 18 | 10.079-11.188 | 10.672-10.750 |

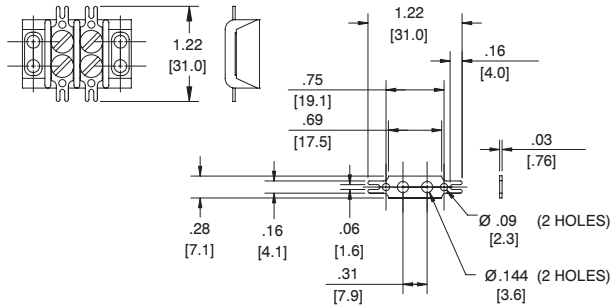
mm=dim X 25.4

Kulka® Military Class

(A-A-59125) / (MIL-T-55164)

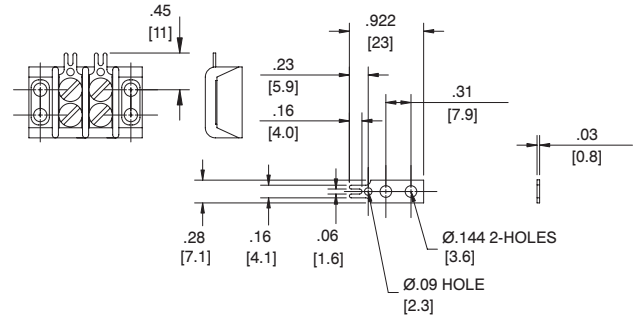
*Solder Hardware Dimensions are not to Mil Spec

37TBLD (Commercial Equivalent)



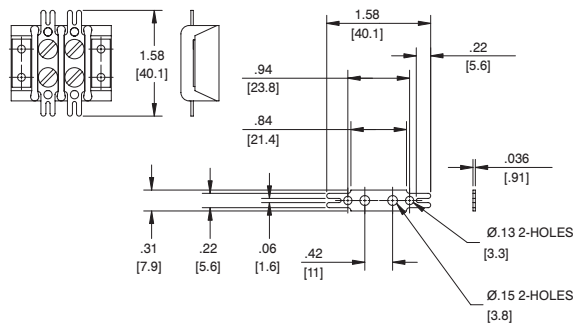
This is an assembly of the 37TB Class Terminal Board and a two-sided terminal lug (ST600). Available in lengths from 2 terminals through 31 terminals. Lugs are brass, tin plated.

37TBLS (Commercial Equivalent)



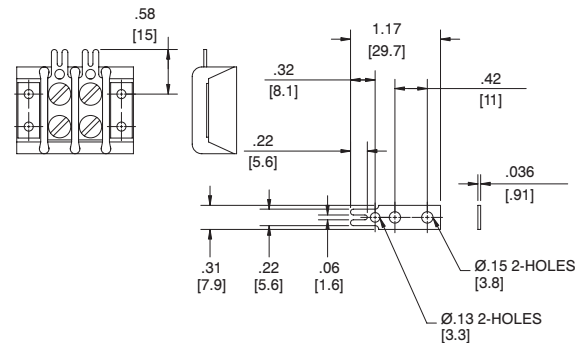
This is an assembly of the 37TB Class Terminal Board and a one-sided terminal lug (3/4 ST600). Available in lengths from 2 terminals through 31 terminals. Lugs are brass, tin plated.

38TBLD (Commercial Equivalent)



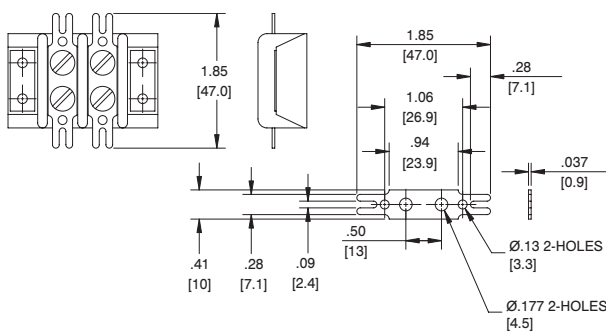
This is an assembly of the 38TB Class Terminal Board and a two-sided terminal lug (ST601). Available in lengths from 2 terminals through 23 terminals. Lugs are brass, tin plated.

38TBLS (Commercial Equivalent)



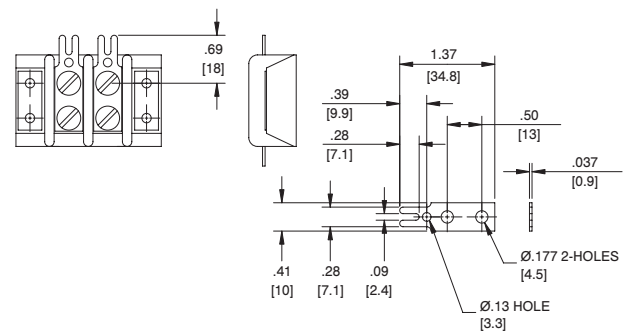
This is an assembly of the 38TB Class Terminal Board and a one-sided terminal lug (3/4 ST601). Available in lengths from 2 terminals through 23 terminals. Lugs are brass, tin plated.

39TBLD (Commercial Equivalent)



This is an assembly of the 39TB Class Terminal Board and a two-sided terminal lug (ST602). Available in lengths from 2 terminals through 18 terminals. Lugs are brass, tin plated.

39TBLS (Commercial Equivalent)



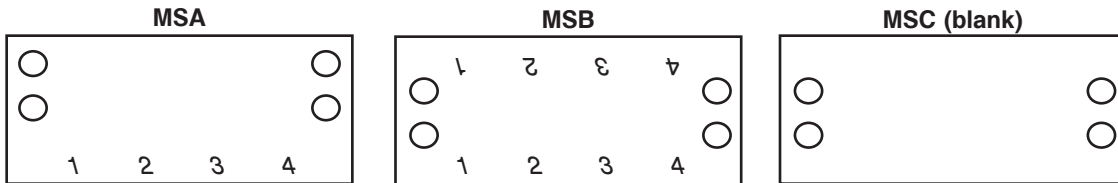
This is an assembly of the 39TB Class Terminal Board and a one-sided terminal lug (3/4 ST602). Available in lengths from 2 terminals through 18 terminals. Lugs are brass, tin plated.

To ensure solderability, use within six (6) months.

Kulka® Military Class Marking Strips

Marking Styles MSA, MSB, MSC

Top Surface of Marking Strip



Bottom Surface of Marking Strip



Requirements:

- Type Mount: Bottom Only
- Dimensions: See Page 110 for Charts
- Material: Type GME
- Marking: Marking Strips shall be Marked in Accordance with CID A-A-59125 (can be provided to MIL T55164)

A single letter shall be inserted in the above type designation to specify the marking style (A, B or C).

Both the front and the back of the marking strips shall be marked as indicated. The numbers shall be marked at a $45 \pm 2^\circ$ angle with reference to the side of the marking strip, as indicated.

Type MSC37TB (blank single sided marking strip) shall have the same dimensions as type MSA.