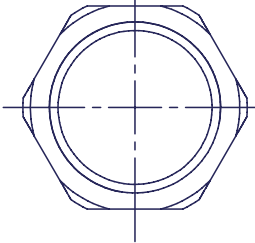
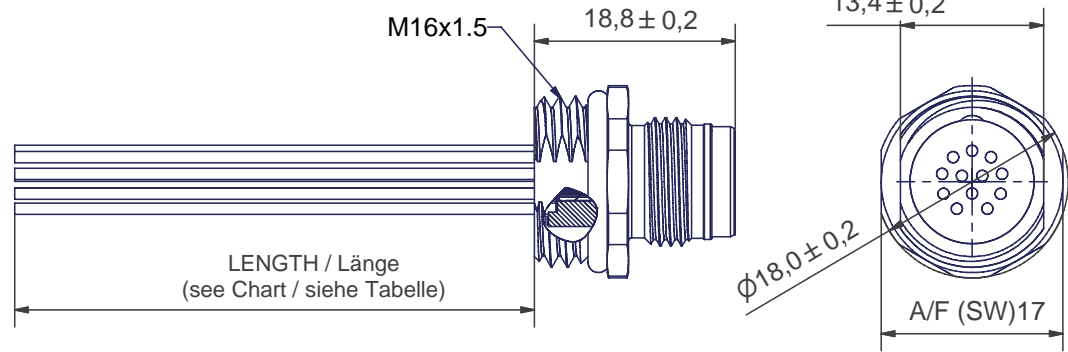
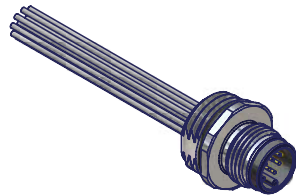
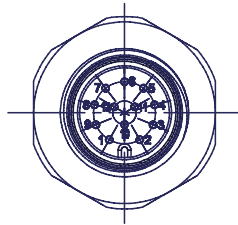


Art. Nr. / p/n	SAP Nr.	L
WRCU26E01C200	1200845014	200mm
WRCU26E01C300	1200845015	300mm

Lock Nut M16x1.5
P/N: 0900 00090 00010
Lock Nut needs to be order separate



(1:1)

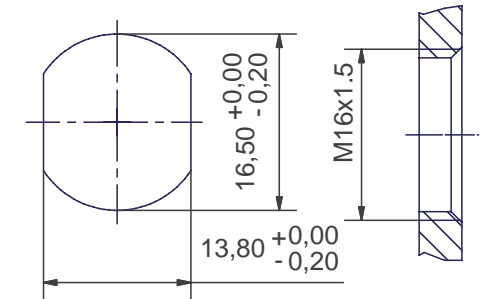


Allgemeine Kennwerte General Characteristics		
Polzahl	Number of contacts	12
Kontaktanordnung	Contact configuration	
Bemessungsspannung	Rated Voltage	30V AC / DC
Verschmutzungsgrad	Pollution Degree	3
Betriebsstrom	Current carrying capacity	1,5A
Durchgangswiderstand	Contact Resistance	< 5mOhm
Bemessungsstoßspannung	Rated Impulse Withstand Voltage	0.8kV
Prüfspannung	Test Voltage	0.5 kV / 60 sec
Isolationswiderstand	Insulation Resistance	> 10 MOhm
IP - Schutzart	IP Degree Of Protection	IP 67/68 (mated only)
Stift Durchmesser	Pin Diameter	0,6mm
Weikstoffe	Kontakte	Kupferlegierung / copper alloy
	Kontaktoberfläche	Au/Ni
	Kontaktträger	PA 6.6
	Litze	UL 1061
	Dichtung (O-Ring)	NBR
	Gehäuse	CuZn (brass) Ni-Oberfläche Nickel Plated
Anschlußart	Termination	Crimp
	Brennbarkeit	Kontaktträger
Leitung / Kabel		Cable
Mechanische Lebensdauer	Mechanical Operation	100 Steckzyklen / Mating Cycles

WIRING DIAGRAM

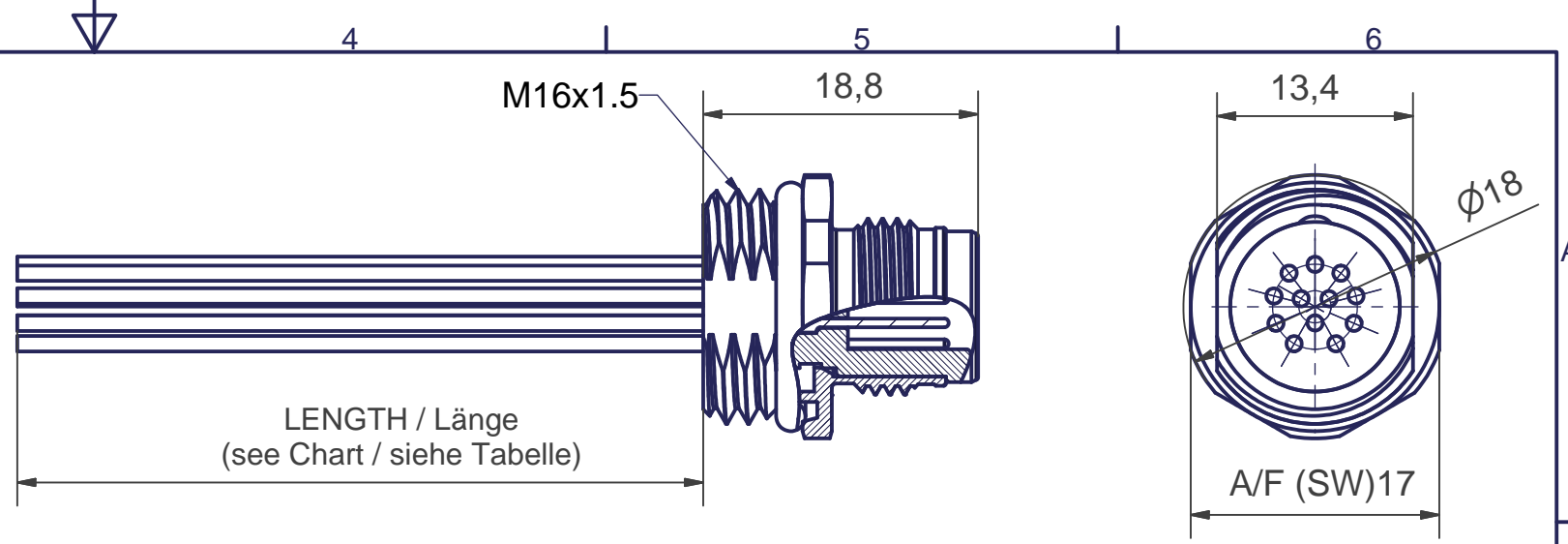
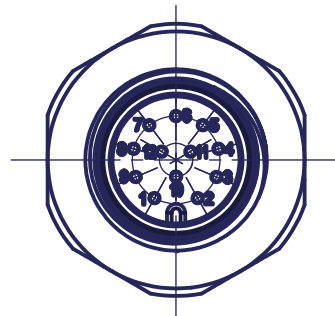
- 1 BN - Brown
- 2 BU - Blue
- 3 WH - White
- 4 GN - Green
- 5 PK - Pink
- 6 YE - Yellow
- 7 BK - Black
- 8 GY - Grey
- 9 RD - Red
- 10 VT - Violett
- 11 GYPK - Grey/Pink
- 12 RDBU - Red/Blue

Panel Cutout



EC NO: WELU2010-0351 DRWN: FP 02/10/2010 CHKD: NS 02/11/2010 APPR: AP 02/12/2010	QUALITY SYMBOLS	GENERAL TOLERANCES (UNLESS SPECIFIED)		DIMENSION STYLE	SCALE	DESIGN UNITS	FIRST ANGLE PROJECTION
		mm	INCH	MM ONLY	2:1	METRIC	
01	DESCRIPTION	4 PLACES ±---	±----	DRAWN BY	DATE	M12-12P-M-REC-FRONT MOUNT M16x1.5MM WIRE 0,14mm ²	
		3 PLACES ±---	±----	US	6/2/2008		
REV	DESCRIPTION	2 PLACES ±0,05	±----	CHECKED BY	DATE	MOLEX INCORPORATED	
		1 PLACE ±0,10	±----	NS	11/13/2008		
		ANGULAR ± 1/2 °		APPROVED BY	DATE	MATERIAL NO.	SHEET NO.
		DRAFT WHERE APPLICABLE MUST REMAIN WITHIN DIMENSIONS		NS	11/13/2008	see Table	1 OF 1
				MATERIAL NO.	DOCUMENT NO.	SD-120084-016	
				SIZE	THIS DRAWING CONTAINS INFORMATION THAT IS PROPRIETARY TO MOLEX INCORPORATED AND SHOULD NOT BE USED WITHOUT WRITTEN PERMISSION		
				A3			

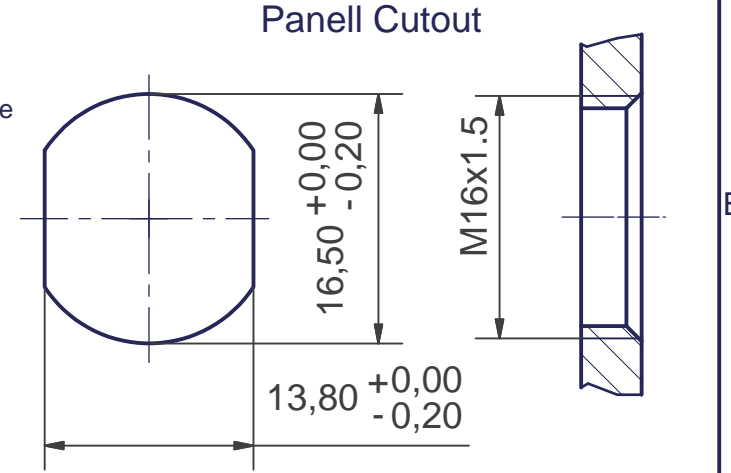
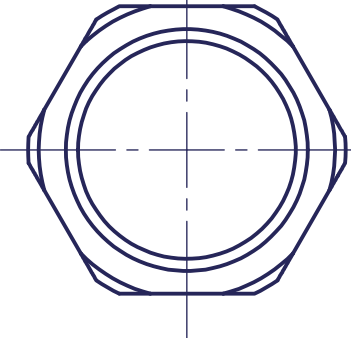
Art. Nr. / p/n	SAP Nr.	L
WRCU26E01C200	1200845015	200mm
WRCU26E01C300	1200845014	300mm



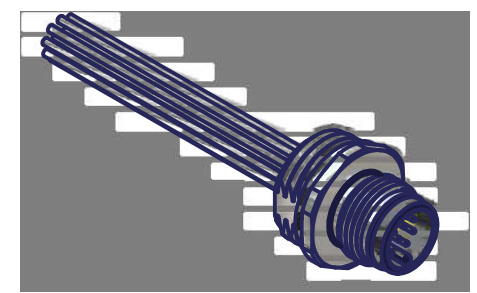
WIRING DIAGRAM

Lock Nut M16x1.5
P/N: 0900 00090 00010
Lock Nut needs to be order separate

- 1 BN - Brown
- 2 BU - Blue
- 3 WH - White
- 4 GN - Green
- 5 PK - Pink
- 6 YE - Yellow
- 7 BK - Black
- 8 GY - Grey
- 9 RD - Red
- 10 VT - Violett
- 11 GYPK - Grey/Pink
- 12 RDBU - Red/Blue



(1:1)



Allgemeine Kennwerte General Characteristics		Norm Standard			
Polzahl Kontaktanordnung	Number of contacts Contact configuration	IEC 947-5-2	12		
Bemessungsspannung	Rated Voltage	IEC 664	30V AC / DC		
Verschmutzungsgrad	Pollution Degree	IEC 664	3		
Betriebsstrom	Current carrying capacity	IEC 512-3 Test 5 b	1,5A		
Durchgangswiderstand	Contact Resistance	IEC 512-2 Test 2 A	< 5mOhm		
Bemessungsstoßspannung	Rated Impulse Withstand Voltage	IEC 664	2kV		
Prüfspannung	Test Voltage	IEC 60512-2 Test 4 A	1 kV / 60 sec		
Isolationswiderstand	Insulation Resistance	IEC 512-2 Test 3 A	> 10 GOhm		
IP - Schutzart	IP Degree Of Protection	IEC 529	IP 67		
Stift Durchmesser	Pin Diameter		0,6mm		
Werkstoffe	Kontakte	Materials	Kupferlegierung / copper alloy		
	Kontaktoberfläche		Au/Ni		
	Kontaktträger		PA 6.6		
	Dichtung (O-Ring)		NBR		
Gehäuse	Housing	CuZn (brass) mit Ni-Oberfläche Nickel Plated			
Anschlußart	Termination		Crimp		
Brennbarkeit	Kontaktträger	Flammfähigkeit	Inserts	UL 94	V-0
	Leitung / Kabel		Cable		
Mechanische Lebensdauer	Mechanical Operation				100 Steckzyklen / Mating Cycles
Temperaturbereich	Temperature Range	IEC 60668-1			-25°C / +90°C

This drawing and its contents are the proprietary and confidential property of Woodhead Industries Inc. and/or its subsidiaries and may not be used or disclosed to others without the express prior written consent of Woodhead Industries Inc. and/or its subsidiaries.					
		UNLESS OTHERWISE SPECIFIED x = ±1 X.X = ±0,1 X.XX = ±0,05 Winkel = 1°		Scale 2:1 (1:1)	Dimensions mm
PROJECTION 1 : GER				Material Finish	
		Date	Name	M12-12P Male Receptacle Front Mount, M16x1.5, 0,14mm ²	
		PROC 02.06.2008	US	M12-GerST-12P-Front-M16x1.5, 0,14mm ²	
		CHK 13.11.2008	NS		
		Norm. 13.11.2008	NS		
		Woodhead Connectivity GmbH			
		Gewerbestraße 60 75015 Bretten-Gölshausen Tel.: 07252/9496-0 Fax: 07252/9496-199			
02	WEU2009-0157	13.11.08	US	SD-WRCU26E01CXXX	
01	INITIAL RELEASE	02.06.08	US		
Rev.	Change	Date	Name	Filename SD-WRCU26E01CXXX.idw	Sheet 1 A3