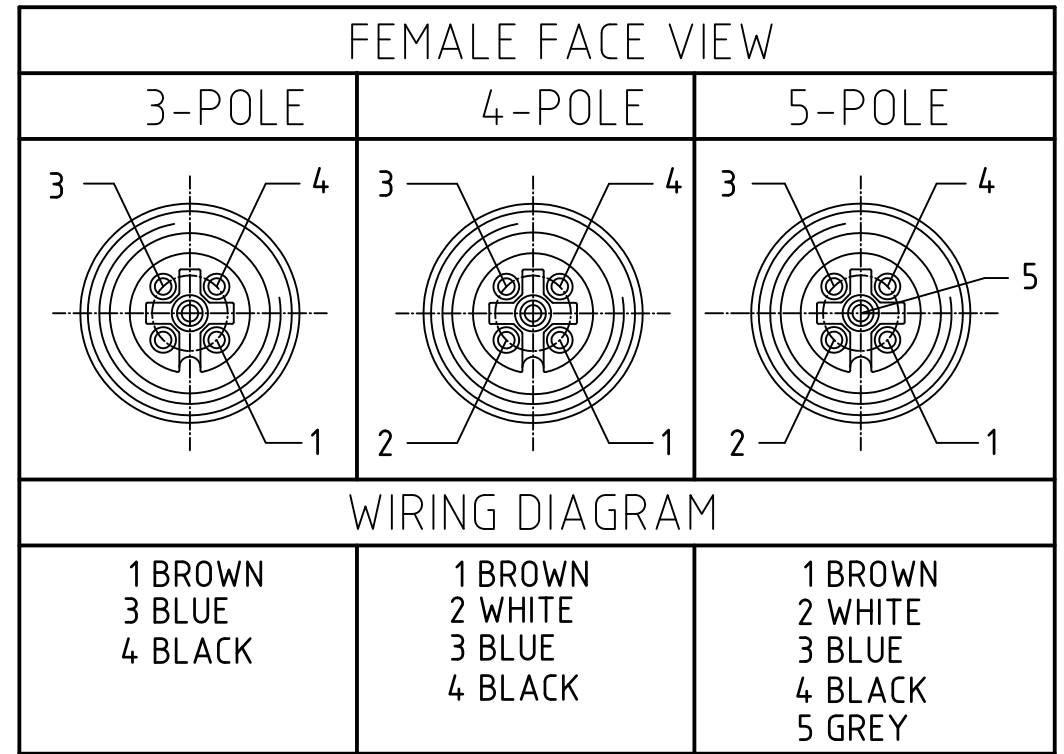


CONNECTOR SPECIFICATION:

VOLTAGE RATING	250 VAC/VDC
AMPERAGE RATING	max. 4 AMPS
PROTECTION	IP67
OPERATING TEMPERATURE	-20°C TO 80°C

ITEM	COMPONENT	MATERIAL	FINISH
7	LABLE	MYLAR	BLACK/YELLOW
6	O-RING	VITON	RED
5	COUPLER	BRASS	NICKEL PLATED
4	PIN CONTACT	COPPER ALLOY	GOLD OVER NICKEL
3	INSERT	PUR	BLACK
2	OVERMOLD	POLYURETHANE (PUR)	YELLOW
1	CABLE- 22/3-5 (COPPER STRANDING) 3/4/5 CONDUCT. 300V	JACKET: PUR	BLACK


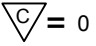




DESCRIPTION EC NO: WEU2010-0284 DRWN: LSTEMMLE 2010/01/20 CHKD: NS APPR: NSTAUDIG 2010/01/26	QUALITY SYMBOLS ▽ = 0 ∇ = 0	GENERAL TOLERANCES (UNLESS SPECIFIED)		DIMENSION STYLE IN/MM	SCALE 2:1	DESIGN UNITS METRIC	THIRD ANGLE PROJECTION	
		mm	INCH	DRAWN BY DATE	MICRO-CHANGE CORDSET 3/4/5-POL FE STR SE 22/3-5 BLACK PUR CABLE			
		4 PLACES ±---	±---	CHECKED BY DATE				
		3 PLACES ±---	±---	RE 2010/01/21	MOLEX INCORPORATED			
2 PLACES ±---	±.01	APPROVED BY DATE	MATERIAL NO. SEE TABLE SHEET 2	DOCUMENT NO. SD-120065-042	SHEET NO. 1 OF 1	THIS DRAWING CONTAINS INFORMATION THAT IS PROPRIETARY TO MOLEX INCORPORATED AND SHOULD NOT BE USED WITHOUT WRITTEN PERMISSION		
1 PLACE ±0.3	±---	NSTAUDIG 2010/01/25	DRAFT WHERE APPLICABLE MUST REMAIN WITHIN DIMENSIONS					
ANGULAR ± --- °			SIZE A3					

POL	MATERIAL NUMBER	ENGINEERING NUMBER	FINISHED LENGTH
3	1200060004	803000P03M020	6.56' +3.50" -0 [2.0M +88.9 -0]

POL	MATERIAL NUMBER	ENGINEERING NUMBER	FINISHED LENGTH
4	1200060018	804000P03M020	6.56' +3.50" -0 [2.0M +88.9 -0]
4	1200652143	804000P03M040	13.12' +6.50" -0 [4.0M +165.1 -0]
4	1200060019	804000P03M050	16.40' +6.50" -0 [5.0M +165.1 -0]
4	1200652144	804000P03M060	19.69' +6.50" -0 [6.0M +165.1 -0]
4	1200651782	804000P03M100	32.81' +12.50" -0 [10.0M +317.5 -0]

POL	MATERIAL NUMBER	ENGINEERING NUMBER	FINISHED LENGTH
5	1200060647	805000P03M020	6.56' +3.5" -0 (2.0M +89mm -0)
5	1200658020	805000P03M040	13.12' +6.5" -0 (4.0M +165mm -0)
5	1200651792	805000P03M050	16.40' +6.5" -0 (5.0M +165mm -0)
5	1200652154	805000P03M060	19.69' +6.5" -0 (6.0M +165mm -0)
5	1200060649	805000P03M100	32.81' +12.5" -0] (10.0M +318mm -0)

DESCRIPTION EC NO.: WEU2010-0284 DRWN: LSTEMMLE 2010/01/20 CH'KD: NS APPR: NSTAUDIG 2010/01/26	QUALITY SYMBOLS  = 0  = 0	GENERAL TOLERANCES (UNLESS SPECIFIED)		DIMENSION STYLE IN/MM		SCALE 2:1	DESIGN UNITS METRIC	 THIRD ANGLE PROJECTION	
		4 PLACES	±---	±---	DRAWN BY	DATE	MICRO-CHANGE CORDSET 3/4/5-POL FE STR SE 22/3-5 BLACK PUR CABLE		
		3 PLACES	±---	±---	CHECKED BY	DATE			
		2 PLACES	±---	±.01	RE	2010/01/21	 MOLEX INCORPORATED		
		1 PLACE	±0.3	±---	APPROVED BY	DATE			
ANGULAR ± --- °		DRAFT WHERE APPLICABLE MUST REMAIN WITHIN DIMENSIONS		SEE TABLE		MATERIAL NO. SD-120065-042	DOCUMENT NO.	SHEET NO. 1 OF 1	
1	REV	SIZE A3		THIS DRAWING CONTAINS INFORMATION THAT IS PROPRIETARY TO MOLEX INCORPORATED AND SHOULD NOT BE USED WITHOUT WRITTEN PERMISSION					