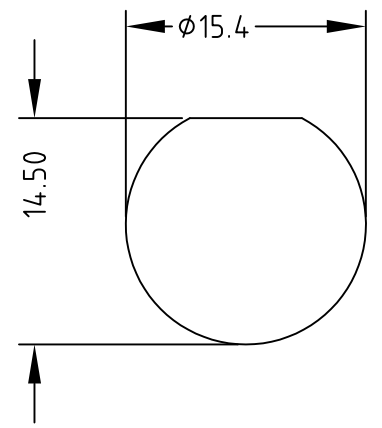
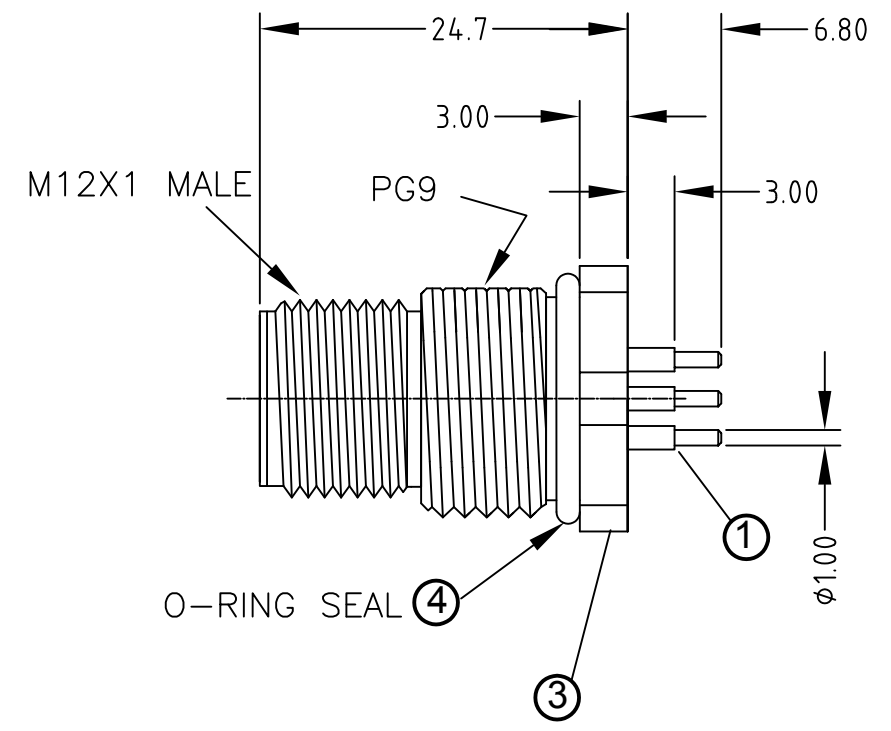
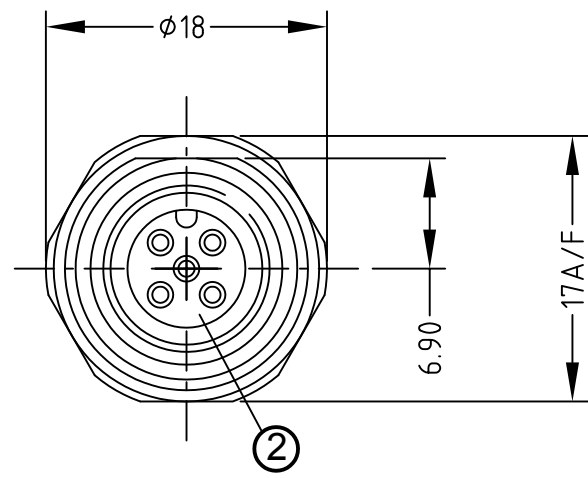


LOCKNUT DETAILS



PANEL CUT OUT  
MAX. PANEL THICKNESS-4.5mm

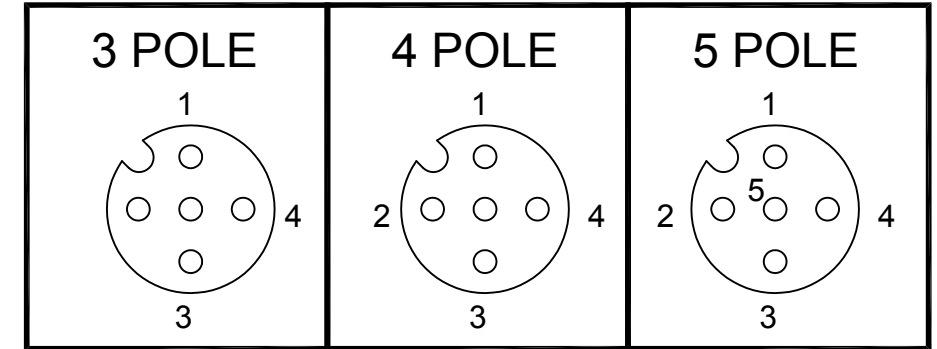
| POL | MATERIAL NUMBER | ENGINEERING NUMBER |
|-----|-----------------|--------------------|
| 3   | 1200705204      | 8R3J460003         |
| 4   | 1200110281      | 8R4J460003         |
| 5   | 1200700235      | 8R5J460003         |

CONNECTOR SPECIFICATION:

|                            |        |
|----------------------------|--------|
| VOLTAGE RATING             | 250 V  |
| AMPERAGE RATING            | 4 AMPS |
| PROTECTION                 | IP68   |
| ASSEMBLY IS RoHS COMPLIANT |        |

| ITEM | COMPONENT         | MATERIAL               | FINISH               |
|------|-------------------|------------------------|----------------------|
| 5    | LOCKNUT           | BRASS                  | BRIGHT NICKEL PLATED |
| 4    | O-RING            | VITON                  | BLACK                |
| 3    | RECEPTACLE SHELLS | BRASS                  | BRIGHT NICKEL PLATED |
| 2    | INSERT            | PUR (30% GLASS FILLED) | -                    |
| 1    | CONTACT           | BRASS (CuZn36)         | GOLD OVER NICKEL     |

MALE FACE VIEW



|   |  |                                       |   |                 |            |               |  |  |
|---|--|---------------------------------------|---|-----------------|------------|---------------|--|--|
| DESCRIPTION<br>EC NO: WEU2010-0391<br>DRWN: LSTEMMLE<br>CH'KD: NS<br>APPR: NSTAUDIG<br>26.02.10<br>2010/03/03 | QUALITY SYMBOLS                                      | GENERAL TOLERANCES (UNLESS SPECIFIED) |   | DIMENSION STYLE | SCALE      | DESIGN UNITS  | THIRD ANGLE PROJECTION   |  |
|   | $\nabla = 0$<br>$\nabla C = 0$                       | mm                                    | INCH  | MM              | 2:1        | METRIC        |  |  |
|   |  | 4 PLACES                              | $\pm$ ---   | $\pm$ ---       | DRAWN BY   | DATE          | MICRO CHANGE<br>M12-3-5P-MALE-REC-PCB<br>BACK PANEL MOUNT<br><br><b>MOLEX INCORPORATED</b> |  |
|   |  | 3 PLACES                              | $\pm$ ---   | $\pm$ ---       | LSTEMMLE   | 2010/02/15    |  |  |
|   |  | 2 PLACES                              | $\pm$ ---   | $\pm 0.01$      | CHECKED BY | DATE          |  |  |
|   | 1 PLACE  | $\pm 0.3$                             | $\pm$ ---   | FP              | 2010/03/01 |               |  |  |
|   | ANGULAR $\pm$ --- °                                  |                                       | APPROVED BY   |                 | DATE       |               |  |  |
|   | DRAFT WHERE APPLICABLE MUST REMAIN WITHIN DIMENSIONS |                                       | NSTAUDIG  |                 | 2010/03/03 |               |  |  |
|   |  |                                       | MATERIAL NO.  |                 | SEE TABLE  |               |  |  |
|   |  |                                       | SIZE  |                 | A3         |               |  |  |
|   |  |                                       | THIS DRAWING CONTAINS INFORMATION THAT IS PROPRIETARY TO MOLEX INCORPORATED AND SHOULD NOT BE USED WITHOUT WRITTEN PERMISSION |                 |            |               |  |  |
|   |  |                                       |   |                 |            | DOCUMENT NO.  | SHEET NO.  |  |
|   |  |                                       |   |                 |            | SD-120070-014 | 1 OF 1   |  |