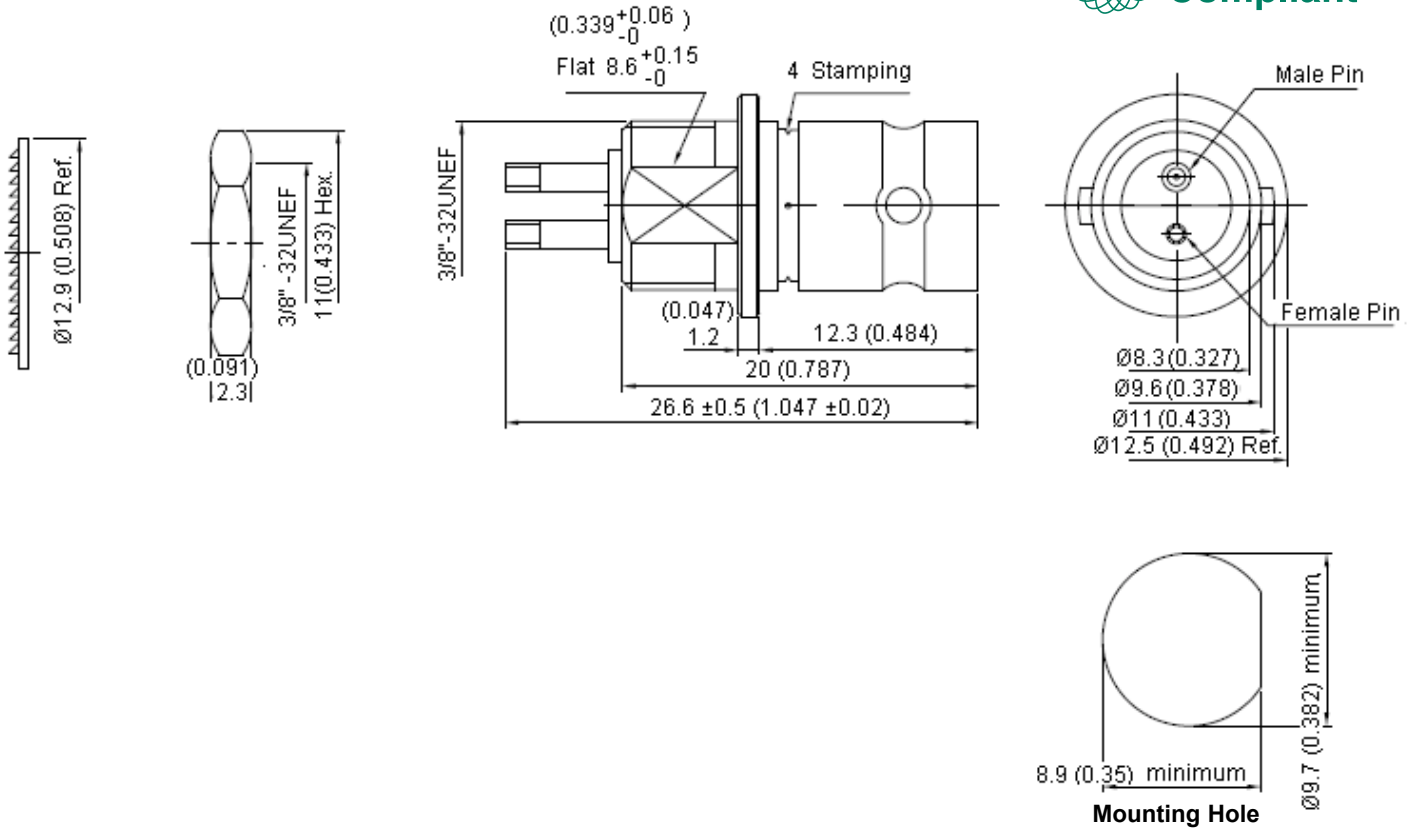


Twin BNC Bulkhead Jack



Dimensions : Millimetres (Inches)

Specifications

Materials:

Bodies : Brass
 Center Contact : Brass
 Beryllium Copper

Environmental:

Operating Temperature Range : -40°C To $+60^{\circ}\text{C}$

Twin BNC Bulkhead Jack



No.	Description	Material	Finish
1	Washer I	Steel	Nickel
2	Nut	Brass	Nickel
3	Insulation I	PBT	None
4	Center Contact I	Brass	Gold
5	Center Contact II	Beryllium Copper	Gold
6	Insulation II	PBT	None
7	Washer II	Brass	Nickel 100 μ " Minimum
8	Body	Brass	Nickel 100 μ " Minimum

Tolerance	
.X	± 0.2
.XX	± 0.1
.XXX	± 0.05
Angle	$\pm 5^\circ$

Part Number Table

Description	Part Number
Twin BNC Bulkhead Jack	MC23577

Important Notice : This data sheet and its contents (the "Information") belong to the members of the Premier Farnell group of companies (the "Group") or are licensed to it. No licence is granted for the use of it other than for information purposes in connection with the products to which it relates. No licence of any intellectual property rights is granted. The Information is subject to change without notice and replaces all data sheets previously supplied. The Information supplied is believed to be accurate but the Group assumes no responsibility for its accuracy or completeness, any error in or omission from it or for any use made of it. Users of this data sheet should check for themselves the Information and the suitability of the products for their purpose and not make any assumptions based on information included or omitted. Liability for loss or damage resulting from any reliance on the Information or use of it (including liability resulting from negligence or where the Group was aware of the possibility of such loss or damage arising) is excluded. This will not operate to limit or restrict the Group's liability for death or personal injury resulting from its negligence. Multicomp is the registered trademark of the Group. © Premier Farnell plc 2012.