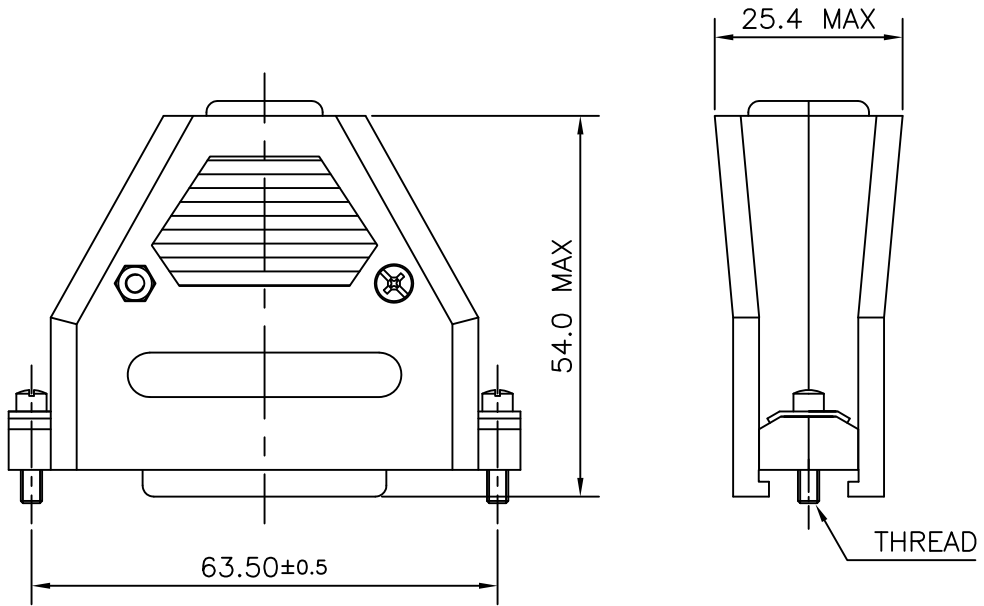
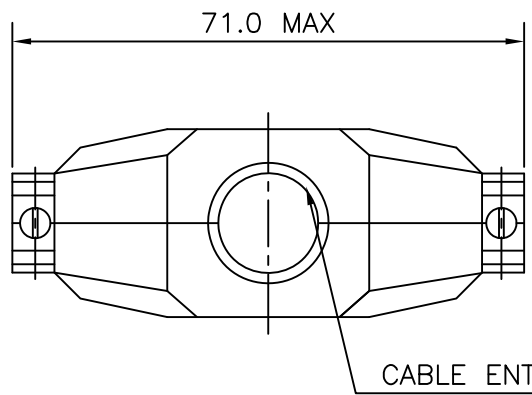


4	8630-CH37UNCLF	UNC 440
3	8630-CH37LF	M3
2	8630-CH37 UNC	UNC 440
1	8630-CH37	M3
SL.NO.	PART NO:	THREAD



"This LF product meets European Union Directives and other country regulations as described in GS-22-008"
 Packaging as per GS-14-920

- MATERIAL:-**
- 1.NYLON 6 30% GF UL 94V-0 (OPTIONAL)
 - 2.ABS UNFILLED UL 94 HB (STANDARD)
 - 3.TEMP RANGE -55°C +85°C

mat'l. code				surface ISO 1302 ✓		tolerance ISO 406 ISO 1101		projection		product family D-SUB		
ltr	ecn no	dr	date	tolerances unless otherwise specified						title		
D	106-0074	MINI	2006/06/08	angles	linear			MM		CONNECTOR HOOD 37 POS		
E	110-0122	AMR	2010/05/29			.00±0.1		← →				
F	110-0231	AMR	2010/11/27			0°±1°		scale -				
				dr	MINI K VANDANATH	1994/09/09	FCI		dwg no		sheet 1 of 1	size 5
				enr	ABHILASH M R	2010/05/29			C-DSUB-0025		A4	
				chr	ABHILASH M R	2010/05/29			type Product Customer		Drawing	
				app	SUDHIR VARMA	2010/05/29						
sheet index		revision	F									D
		sheet	1									



FCIconnect.com

Copyright FCI