

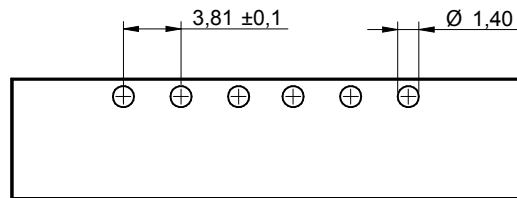
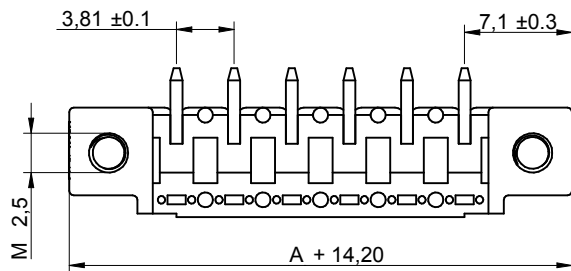
1

2

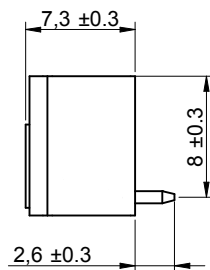
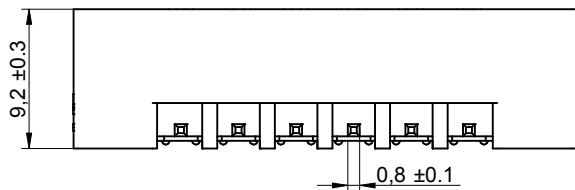
3

4

5



PCB LAYOUT



| Poles | A |
|-------|-------|
| 2 | 3.81 |
| 3 | 7.62 |
| 4 | 11.43 |
| 5 | 15.24 |
| 6 | 19.05 |
| 7 | 22.86 |
| 8 | 26.67 |
| 9 | 30.48 |
| 10 | 34.29 |
| 11 | 38.1 |
| 12 | 41.91 |

CHARACTERISTICS

MATERIAL

Insulator material : LCP
 Flammability rating : UL94-V0
 Colour : Black
 Contact pin : Brass (CuZn)
 Surface of solder tail plating : Tin Plated
 Flange nut : Brass - M2.5

ENVIRONMENTAL

Operating temperature : -40°C up to 105°C
 Compliance : Lead free and RoHS

SOLDERING

Solder temperature : Reflow process as per JEDEC J-020D-STD

ELECTRICAL

Current rating : 10A
 Working voltage : 300 Vac
 Dielectric withstanding voltage : 2.5 kVac/min
 Contact resistance : 20 mΩ max

STANDARD

UL Certified : E315414 / Model number 7013

MECHANICAL

Pitch : 3.81mm

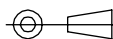
PACKAGING

Tape & Reel

RoHS Compliant

| | | | |
|-----|-----------|--------------|----|
| G | | | |
| F | | | |
| E | | | |
| D | | | |
| C | | | |
| B | 19-DEC-11 | 6917013500xx | QL |
| A | 14-SEP-11 | PDF | QL |
| REV | DATE | FILE | BY |

PROJECTION:



GENERAL TOLERANCE

.X = ± 0.2
 .XX = ± 0.15

APPROVAL: RJ

UNIT: MM

SCALE: 2/1

SHEET: 1/2

DRAW: QUENTIN

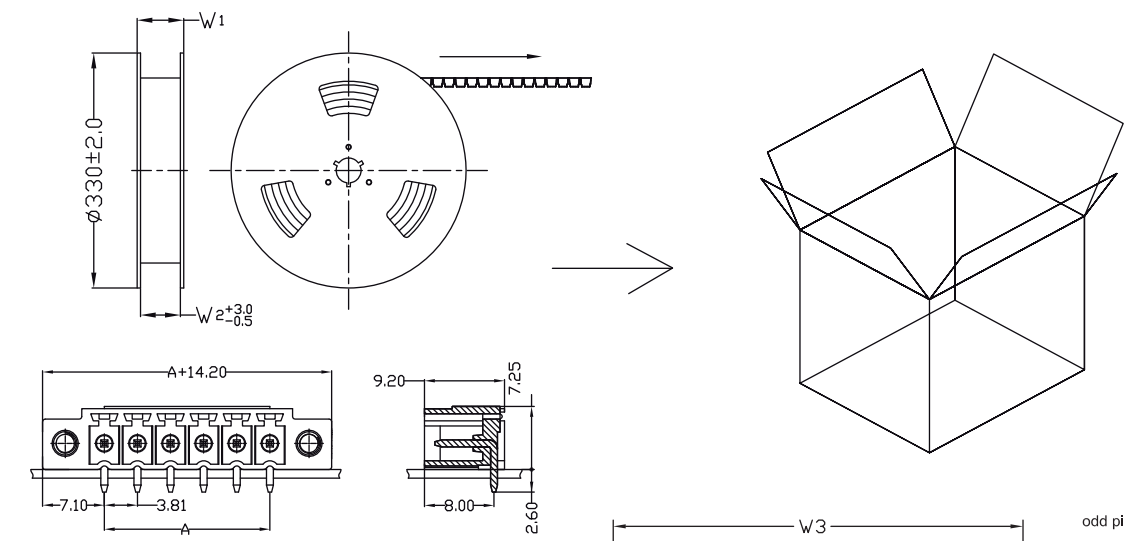


DESCRIPTION: SERIE 7013B - 3.81MM HORIZONTAL PCB HEADER - THR TYPE WITH FLANGES

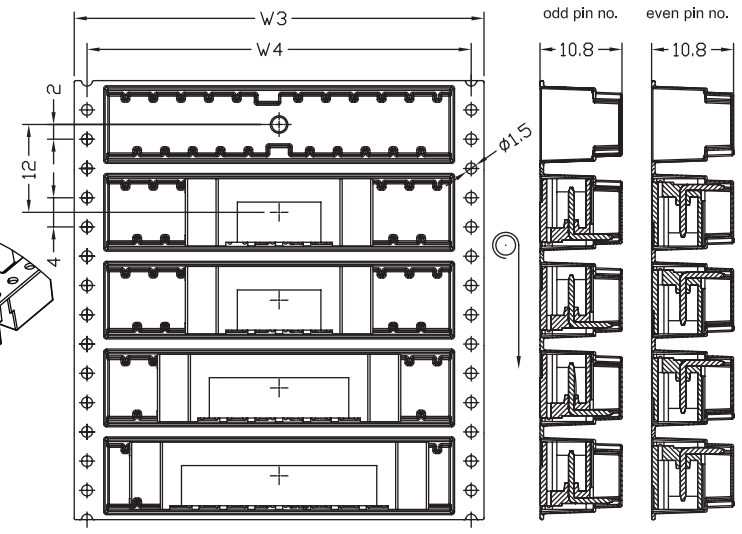
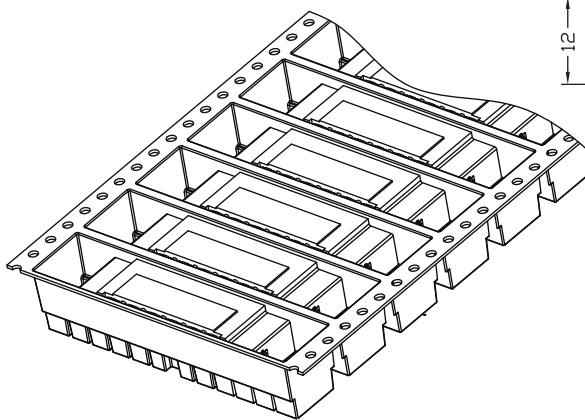
WERI PART NO: 691 701 350 0xx B

SIZE

A4

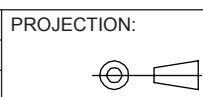


1. 10 sprocket hole pitch cumulative tolerance ± 0.20
2. Carrier camber is within 1 mm in 250 mm.
3. Material : Black Conductive Polystyrene Alloy.
Transparent anti-static PET
4. All dimensions meet EIA-481-C requirements.
5. Thickness : 0.50 ± 0.05 mm.
6. Component load per 13" reel : 450 pcs.



| Poles | A | Dimension | | | | Packing (Reel/cotton) | Carton dimensions (cm) | Quantity / Carton |
|-------|-------|-----------|--------|--------|--------|--------------------------|------------------------------|-------------------------|
| | | W1(mm) | W2(mm) | W3(mm) | W4(mm) | | | |
| 2 | 3.81 | 36.4 | 32 | 32 | 28.5 | 10 | 33.5 x 33.5 x 40 | 4500 |
| 3 | 7.62 | 60.4 | 56 | 56 | 52.5 | 6 | 33.5 x 33.5 x 40 | 2700 |
| 4 | 11.43 | 60.4 | 56 | 56 | 52.5 | 6 | 33.5 x 33.5 x 40 | 2700 |
| 5 | 15.24 | 60.4 | 56 | 56 | 52.5 | 6 | 33.5 x 33.5 x 40 | 2700 |
| 6 | 19.05 | 60.4 | 56 | 56 | 52.5 | 6 | 33.5 x 33.5 x 40 | 2700 |
| 7 | 22.86 | 60.4 | 56 | 56 | 52.5 | 6 | 33.5 x 33.5 x 40 | 2700 |
| 8 | 26.67 | 60.4 | 56 | 56 | 52.5 | 6 | 33.5 x 33.5 x 40 | 2700 |
| 9 | 30.48 | 60.4 | 56 | 56 | 52.5 | 6 | 33.5 x 33.5 x 40 | 2700 |
| 10 | 34.29 | 76.4 | 72 | 72 | 68.5 | 5 | 33.5 x 33.5 x 40 | 2250 |
| 11 | 38.1 | 76.4 | 72 | 72 | 68.5 | 5 | 33.5 x 33.5 x 40 | 2250 |
| 12 | 41.91 | 76.4 | 72 | 72 | 68.5 | 5 | 33.5 x 33.5 x 40 | 2250 |

| | | | |
|----------------|------|------|----|
| RoHS Compliant | | | |
| G | | | |
| F | | | |
| E | | | |
| D | | | |
| C | | | |
| B | | | |
| A | | | |
| REV | DATE | FILE | BY |



GENERAL TOLERANCE
 .X = ± 0.2
 .XX = ± 0.15



APPROVAL: RJ

UNIT: MM
 SCALE:
 SHEET: 2/2
 DRAW: QUENTIN

DESCRIPTION: SERIE 7013B - 3.81MM HORIZONTAL PCB HEADER - THR TYPE WITH FLANGES
 WERI PART NO: 691 701 350 0xx B

SIZE
A4