

# SKINTOP® MS, MS-XL

Brass cable gland

## SKINTOP® MS

Suitable for use in manufacturing of machinery and equipment, in measuring and controlling technology, in chemical technology, in system manufacturing, in medico-technical equipment and in many other fields where exceptional stability and safe functioning are required.

### Advantages:

- solid locked plastic clamp cage
- very economical due to less varieties on stock

## SKINTOP® MS-XL

### long connection thread


Additionally we offer our proven SKINTOP® MS with long connection thread, PG 7-21 with 12 mm and PG 29 with 15 mm for thick wall housings.


### Note


Suitable accessories see SKINDICHT® SM page 9.117  
SKINDICHT® SM-PE page 9.117.




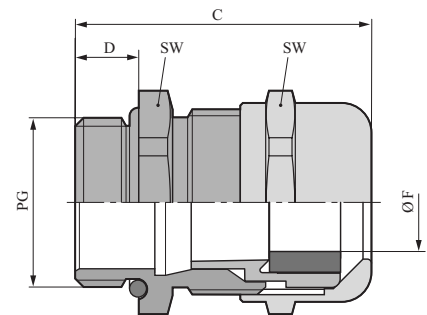
## Technical Data

 Material:  
Body: Brass, nickel-plated  
Insert: polyamide  
Sealing ring: CR/NBR  
O-ring: NBR

 Temperature range:  
-30°C to +100°C

 Protection class:  
IP 68 - 5 bar

 Attention  
Installation dimensions and  
tightening torque values  
see T21 a+b



Part number	Type-PG-size	Clamping range ØF mm	Wrench Size mm	C mm	D mm	PU pieces
<b>SKINTOP® MS</b>						
5201 5700	MS 7	2 - 6,5	14	25	5	100
5201 5710	MS 9	3 - 8	17	29	6	100
5201 5720	MS 11	4 - 10	20	32	6	50
5201 5730	MS 13,5	5 - 12	22	34	6,5	50
5201 5740	MS 16	8 - 14	24	35	6,5	50
5201 5750	MS 21	11 - 18	30	40	7	25
5201 5760	MS 29	16 - 25	40	48	8	25
5201 5765	MS 36	19 - 32	50	62	15	10
5201 5766	MS 42	28 - 38	57	62	15	5
5201 5767	MS 48	34 - 44	64	62	15	5
<b>SKINTOP® MS-XL</b>						
5211 5700	MS 7 XL	2 - 6,5	14	32	12	100
5211 5710	MS 9 XL	3 - 8	17	35	12	100
5211 5720	MS 11 XL	4 - 10	20	38	12	50
5211 5730	MS 13,5 XL	5 - 12	22	39,5	12	50
5211 5740	MS 16 XL	8 - 14	24	40,5	12	50
5211 5750	MS 21 XL	11 - 18	30	45	12	25
5211 5760	MS 29 XL	16 - 25	40	50	15	25