

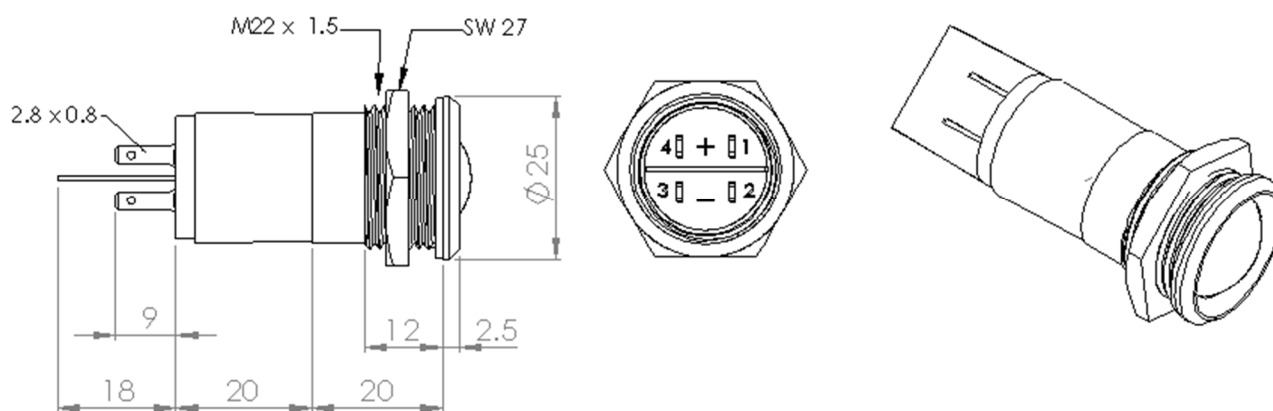
Part Number : **195M025X**

Type	Size	Rating	Description
uLED	M22	12Vdc	Panel mount indicator - multifunction

Description:

The CML-IT uLED is a multi-coloured LED indicator with a built in micro controller. The unit comes pre-programmed with 4 operating modes, each of which can be selected by a logic table using the mode select pins. No user programming is required as the four modes of operation are factory set. A range of standard modes are available, others are available upon request.

Dimensions (mm):



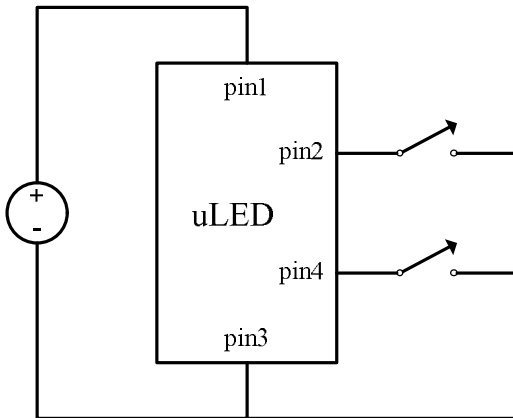
Pin description:

Pin	Function
1	+Vdc
2	MSB
3	Ground
4	LSB

Note:

Pins 2 and 4 are pulled up to logic '1' internally. Therefore, if these pins are left unconnected, the default output will be logic '11' as shown in the tables at the end of this document. This is to prevent an accidental open circuit from inhibiting a warning signal. For example on part 195M025C, if control cables are accidentally cut, the indicator will illuminate flashing red rather than green. Do not apply any voltage to these mode select pins.

Suggested circuit diagram:



Optical characteristics:

Colour	Red	Green	Blue
luminous intensity @ 20mA (mcd)	620	1200	280

Note: Typical characteristics of the LED component before diffusion.

Electrical characteristics:

	Rating	Notes
Voltage	12Vdc	+ 5%
Current	50-115mA	+/- 5%

Notes:

1. Current consumption depends on mode of operation.
2. Also available in 6Vdc and 24Vdc versions.

Mechanical characteristics:

	Rating	Notes
Storage temperature	-25 °C to +80 °C	
Operating temperature	-20 °C to +60 °C	
Protection rating	IP67	DIN EN 60529
Bezel material	Chrome plated brass	
Body material	Polycarbonate	
Contact material	Tin plated brass	Pin 1 not plated
Mounting hole diameter	22mm	

Technical notes:

1. Colour, intensity and flash rate may vary slightly due to component tolerances.
2. Terminals are not qualified for soldering.
3. Part is not user programmable, operating modes are pre-set at the factory.

Mode select table:

Part number		195M025A	195M025B	195M025C
MSB (pin 2)	LSB (pin 4)	Output	Output	Output
0	0	Green	Green	Green
0	1	Red	Amber	Green (flashing)
1	0	Blue	Red	Red
1	1	Cool white	Red (flashing)	Red (flashing)

Notes:

1. Flashing function is approximately 1Hz at 50% duty. (0.5 seconds on).
2. Other modes available upon request.