

NEMA line Outlet 5-15R, Snap-in Mounting, Front Side, Solder Terminal



Description

- Panel Mount:
Snap-in, Front-Side
- 1 Function:
Line Outlet, Protection class I
- Solder terminals

Approvals

- UL File Number: E132269
- CSA File Number: 73690

Characteristics

- Designed for standard applications
- Qualified for use in equipment according IEC/EN 60950

References

Alternative: protection class II version 0715

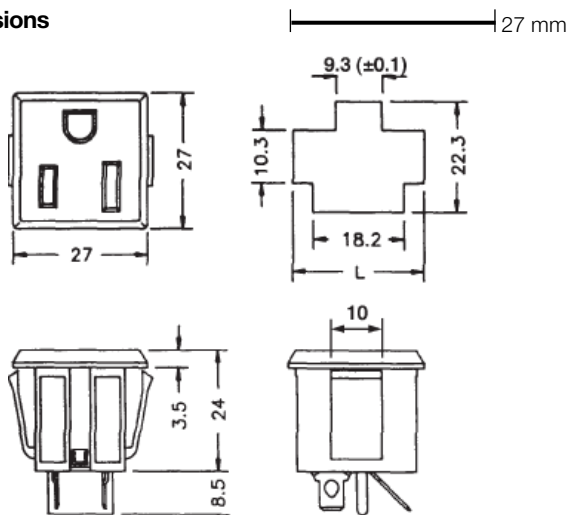
Weblinks

[pdf](#), [html](#), [General Product Information](#), [Approvals](#), [RoHS](#), [CHINA-RoHS](#), [Mating Connectors](#), [e-Store](#), [SCHURTER-Stock-Check](#), [Distributor-Stock-Check](#), [Accessories](#)

Technical Data

Ratings IEC	15 A / 250VAC; Hz
Ratings UL/CSA	15 A / 125VAC; 60Hz
Allowable Operation Temp.	-25 °C to +60 °C
Degree of Protection	from front side IP 20 acc. to IEC 60529
Protection Class	Suitable for appliances with protection class 1 acc. to IEC 61140
Terminal	Solder terminals
Panel Thickness s	Snap-in 0.8 mm to 1.6 mm
Material: Housing	Thermoplastic, black

Dimensions



Panel thickness s	length L
0.8 mm	24.0 mm
1.2 mm	25.2 mm
1.0 mm	24.6 mm
1.6 mm	26.2 mm

Variants

Type	Protection Class	Panel mounting	Panel Thickness s [mm]	Terminal	Order Number
0709	1	Snap-in	0.8 -1.6	Solder	4300.0701

Packaging unit 100 Pcs

Mating Inlets/Plugs

Category / Description

Power Supply Cord Overview complete



Power Supply Cord with NEMA 5-15 Power (Mains) Plug 3-pole, Angled	1140
Power Supply Cord with NEMA 1-15 Power (Mains) Plug 2-pole, Straight	4190
Power Supply Cord with NEMA 1-5p Power (Mains) Plug polarized, 2-pole, Straight	4191
Power Supply Cord with NEMA 1-15 Power (Mains) Plug 2-pole, Straight	419c
Power Supply Cord with NEMA 5-15 Power (Mains) Plug 3-pole, Straight	4390
Power Supply Cord further types to 0709	...



Power Supply or Interconnection Cord Overview complete

Divers Power Supply and Interconnection Cords 2.5 A	CS01.0221.150
Divers Power Supply and Interconnection Cords 2.5 A	CS02.0221.150
Power Supply or Interconnection Cord further types to 0709	...