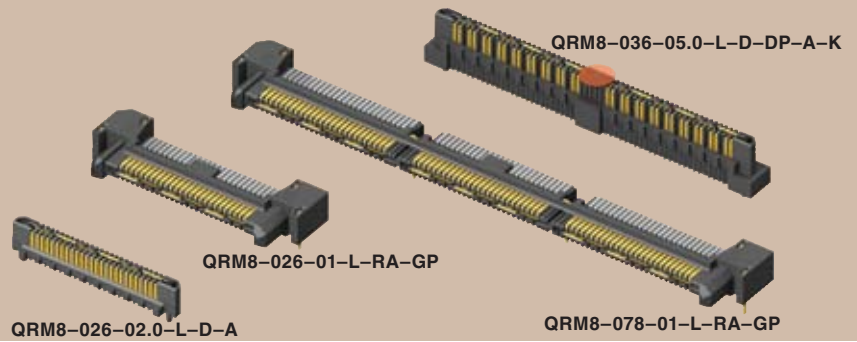




(0,80mm) .0315"

QRM8, QRM8-RA SERIES



# SLIM BODY GROUND PLANE HEADER

**QRM8 Board Mates:**  
QRF8

**QRM8-RA Board Mates:**  
QRF8 (-GP required)

## SPECIFICATIONS

For complete specifications and recommended PCB layouts see [www.samtec.com?QRM8](http://www.samtec.com?QRM8) or [www.samtec.com?QRM8-RA](http://www.samtec.com?QRM8-RA)

**Insulator Material:**  
Black LCP



**Terminal & Ground Plane Material:**  
Phosphor Bronze

**Plating:**  
Au or Sn over 50µ" (1,27µm) Ni

**Current Rating:**  
QRM8 = 2.0A @ 80°C ambient  
QRM8-RA = 1.5A @ 95°C (6 contacts powered)

**Operating Temp Range:**  
-55°C to +125°C

**Voltage Rating:**  
QRM8 = 215 VAC  
QRM8-RA = 230 VAC/325 VDC

**RoHS Compliant:**  
Yes

**Lead-Free Solderable:**  
Yes

MATED HEIGHT*		
QRM8 LEAD STYLE	QRF8 LEAD STYLE	
	-05.0	-07.0
-02.0	(7,00) .276	(9,00) .354
-05.0	(10,00) .394	(12,00) .472
-07.0	(12,00) .472	(14,00) .551

\*Processing conditions will affect mated height.

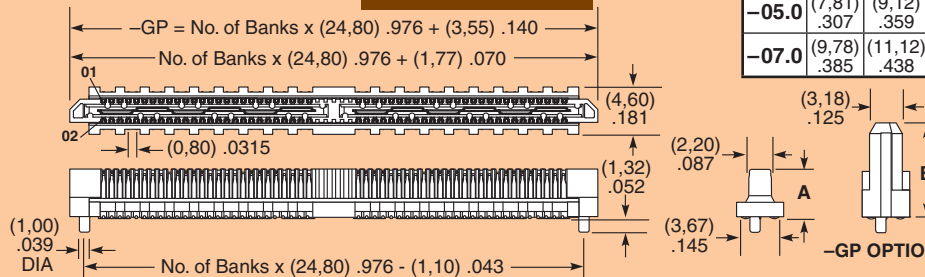
7mm Stack Height	Type	Rated @ 3dB Insertion Loss
Single-Ended Signaling	-D	9.5 GHz / 19 Gbps
Differential Pair Signaling	-D	8.5 GHz / 17 Gbps
Differential Pair Signaling	-DP	9.0 GHz / 18 Gbps

Performance data for other stack heights and complete test data available at [www.samtec.com?QRM8](http://www.samtec.com?QRM8) or contact [sig@samtec.com](mailto:sig@samtec.com)

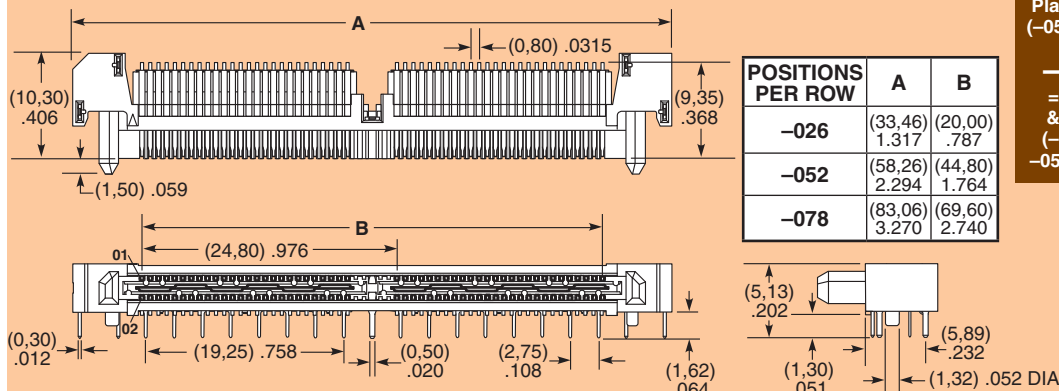
**Note:** Other Gold plating options available. Contact Samtec.

**Note:** Some lengths, styles and options are non-standard, non-returnable.

QRM8	PINS PER ROW NO. OF PAIRS	LEAD STYLE	PLATING OPTION	TYPE	A	OTHER OPTION
	-026, -052, -078 (52 total pins per bank = -D)	-02.0 = 2mm Body Height (Not available with -054 & -078 positions)	-L = 10µ" (0,25µm) Gold on contact, Matte Tin on tail	-D = Single-Ended		-GP = Guide Post (Requires -GP on mating connector)
	-018, -036, -054 (18 pairs per bank = -D-DP)	-05.0 = 5mm Body Height		-D-DP = Differential Pair		-K = (5,00mm) .197" DIA Polyimide Film Pick & Place Pad
		-07.0 = 7mm Body Height				-TR = Tape & Reel



QRM8	POSITIONS PER ROW	01	PLATING OPTION	RA	GP	OPTION
	-026, -052, -078 (52 total positions per bank)		-L = 10µ" (0,25µm) Gold on contact, Matte Tin on tail			-K = (7,00mm) .275" DIA Polyimide film Pick & Place Pad (-052 only)
						-TR = Tape & Reel (-026 & -052 only)



**Note:** For -GP (Guide Post option) to -GP (Guide Post option) mating.

Due to technical progress, all designs, specifications and components are subject to change without notice.

[WWW.SAMTEC.COM](http://WWW.SAMTEC.COM)