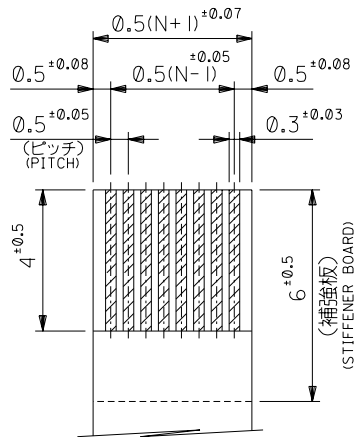


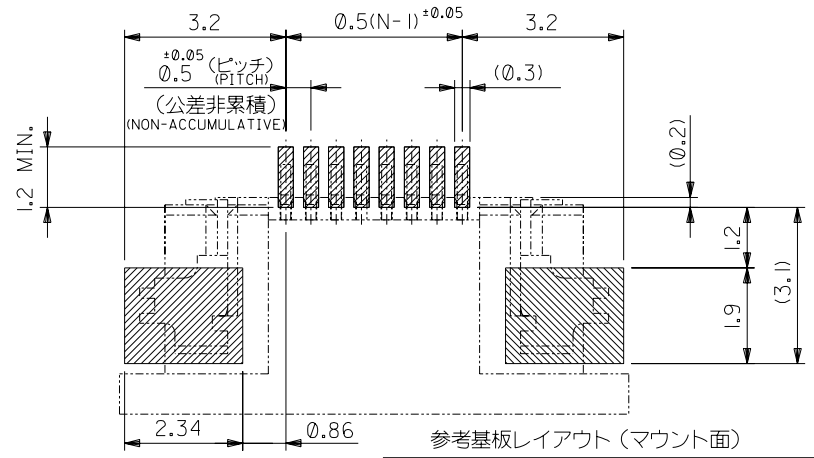
適合FPC推奨寸法
APPLICABLE FPC
RECOMMENDED DIMENSION

(仕上がり厚さ: 0.3 ± 0.03)
(THICKNESS: 0.3 ± 0.03)



適合FPC推奨寸法
APPLICABLE FPC
RECOMMENDED DIMENSION

(仕上がり厚さ: 0.3 ± 0.03)
(THICKNESS: 0.3 ± 0.03)



参考基板レイアウト (マウント面)
REFERENCE P.C. BOARD PATTERN DIMENSION (MOUNTING SIDE)

16.6	20.1	18.3	14.5	13.5	52689-2879	28
15.1	18.6	16.8	13.0	12.0	-2579	25
12.6	16.1	14.3	10.5	9.5	-2079	20
12.1	15.6	13.8	10.0	9.0	-1979	19
11.6	15.1	13.3	9.5	8.5	-1879	18
11.1	14.6	12.8	9.0	8.0	-1779	17
10.6	14.1	12.3	8.5	7.5	-1679	16
10.1	13.6	11.8	8.0	7.0	-1579	15
9.6	13.1	11.3	7.5	6.5	-1479	14
9.1	12.6	10.8	7.0	6.0	-1379	13
8.6	12.1	10.3	6.5	5.5	-1279	12
8.1	11.6	9.8	6.0	5.0	-1179	11
7.6	11.1	9.3	5.5	4.5	-1079	10
7.1	10.6	8.8	5.0	4.0	-0979	9
6.6	10.1	8.3	4.5	3.5	-0879	8
6.1	9.6	7.8	4.0	3.0	-0779	7
5.6	9.1	7.3	3.5	2.5	-0679	6
5.1	8.6	6.8	3.0	2.0	52689-0579	5
W	D	C	B	A	MATERIAL NO.	極数 CKT.

注記 NOTES

- △ R0.3は、FPCの導体部にかからないこと。
R0.3 MUST NOT BE OVERLAPPED TO PATTERN OF FPC.
 - FPCについて:
打抜き方向は導体側から補強板を推奨致します。
補強フィルム材質はポリイミドを推奨致します。
接着剤は熱硬化接着剤を推奨致します。
- ABOUT FPC:
RECOMMENDED PUNCHER DIRECTION : FROM CONDUCTOR SIDE TO STIFFENER BOARD SIDE.
RECOMMENDED MATERIAL : STIFFENER FILM : POLYIMIDE
BONDING AGENT : THERMOSETTING BONDING AGENT

DO NOT SCALE DRAWING

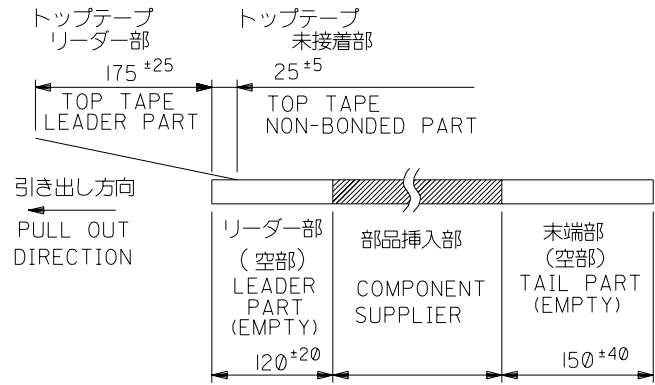
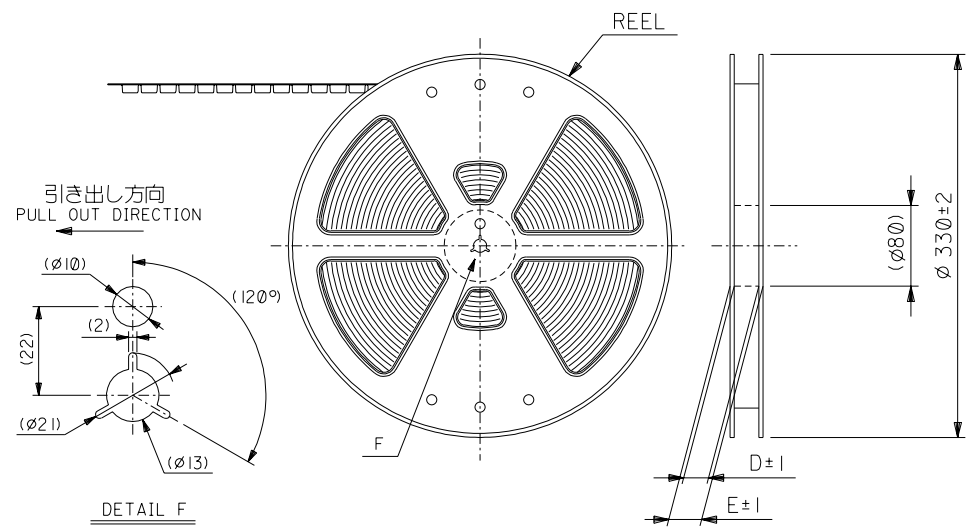
16 NO. DRWN: CH'K: APPR: 163 NO. DRWN: CH'K: APPR: 162 NO. DRWN: CH'K: APPR: 161 NO. DRWN: CH'K: APPR:	RELEASED 160 NO. J2004-1864 DRWN: M.NINOMIYA CH'K: K.TOJO APPR: M.SASAO	MATERIAL 材料 注記参照 SEE NOTES	GENERAL TOLERANCES: (UNLESS SPECIFIED) 一般公差 10 UNDER 未満 ±0.2 10 OVER 30 UNDER 未満 ±0.25 30 OVER 以上 ±0.3 ANGLE 角度 ±3°	SCALE 1/1 DESIGN UNITS ㎜ INCH DRAWN BY & DATE M.NINOMIYA '04/01/09 CHECKED BY & DATE K.TOJO '04/01/09 APPROVED BY & DATE M.SASAO '04/01/09 CAD FILENAME SD-52689-001.S02	DIMENSIONS: ㎜ INCH SHT 2 REV B TITLE: 0.5 FPC CONN. NON ZIF HOUSING ASS'Y FOR SMT. (R/A) UPPER CONTACT -LEAD FREE- MOLEX INCORPORATED	MATERIAL NO. 52689-**79 DRAWING NO. SD-52689-001 SHEET NO. 2 OF 2
---	---	----------------------------------	---	---	---	---

THIS DRAWING CONTAINS INFORMATION THAT IS PROPRIETARY TO MOLEX INCORPORATED AND SHOULD NOT BE USED WITHOUT WRITTEN PERMISSION. SIZE B

DWG. NO.
SD-52689-002

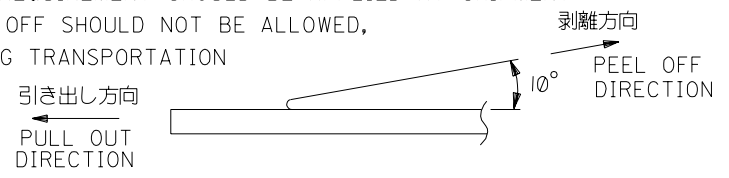
注記 NOTES

- 製品詳細寸法については図面 SD-52689-001 を参照下さい。
RE DETAILED DIMENSION,SEE SD-52689-001
- 梱包数量：1000個/リール
NUMBER OF CONNECTORS:1000PCS/REEL
- リードテープ長さ LEAD TAPE LENGTH



- トップテープの剥離強度：(剥離方向は下図参照)
0.1N~1.3N {10gf~130gf} 尚、本規格値は、出荷時に適用。
(但し、輸送時に剥離が発生しない事。)

PEELING OFF FORCE OF TOP TAPE
0.1N~1.3N(10gf~130gf)(PEELING DIRECTION AS SHOWN IN FOLLOWING FIG.)
THIS REQUIREMENT SHOULD BE APPLIED AT SHIPMENT
PEEL OFF SHOULD NOT BE ALLOWED,
DURING TRANSPORTATION

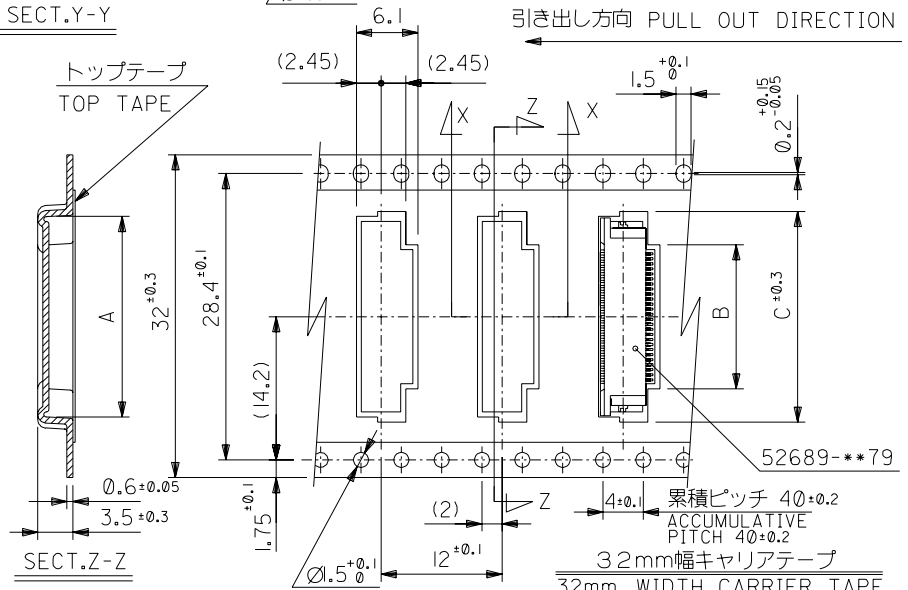
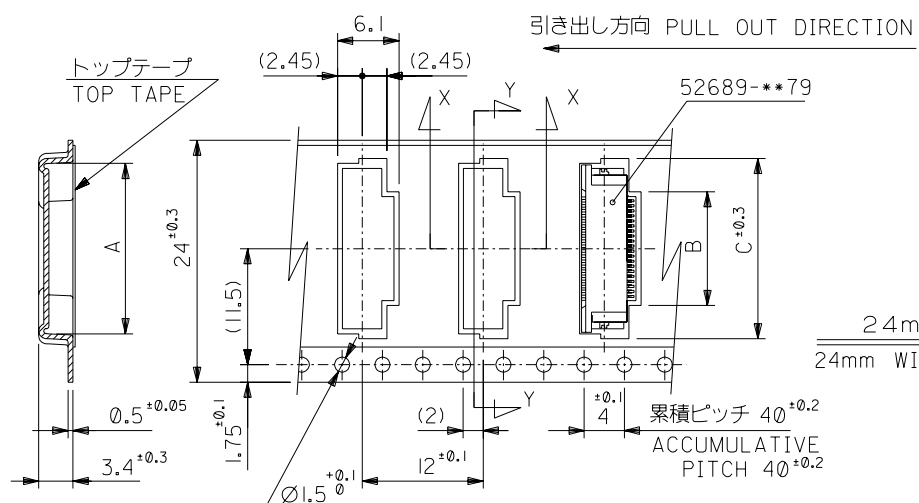


- 材料
キャリアテープ：ポリプロピレン (PP)
トップテープ：PET, PE, PEF
リール：ポリスチレン (PS) <リサイクル材を含む>
MATERIAL CARRIER TAPE:POLYPROPYLENE
TOP TAPE:PET,PE,PEF
REEL:POLYSTYRENE(PS)
<RECYCLE MATERIAL CONTAINED>

6. 本製品は 52689-***96 の鉛フリー品である。
THIS PRODUCT IS LEAD FREE OF 52689-***96.

DO NOT SCALE DRAWING

64NO. DRWN: CH'K: APPR: 63NO. DRWN: CH'K: APPR: 62NO. DRWN: CH'K: APPR:		REVISED 61NO. J2004-2777 DRWN: M.NINOMIYA CH'K: K.TOJO APPR: M.SASAO 60NO. J2004-1864 DRWN: M.NINOMIYA CH'K: K.TOJO APPR: M.SASAO		MATERIAL 材料 注記参照 SEE NOTES FINISH 仕上げ WIRE RANGE 適用層線範囲 ANGLE 角度		GENERAL TOLERANCES: (UNLESS SPECIFIED) 一般公差 10 UNDER 未満 ±0.2 10 OVER 以上 30 UNDER 未満 ±0.25 30 OVER 以上 ±0.3 INS. RANGE 被覆外径 3°		52689-***96 SCALE 1:1 DESIGN UNITS mm INCH DRAWN BY & DATE M.NINOMIYA '04/01/09 CHECKED BY & DATE K.TOJO '04/01/09 APPROVED BY & DATE M.SASAO '04/01/09 CAD FILENAME SD-52689-002.S01		MODEL NO. DIMENSIONS: SHT REV TITLE: 0.5 FPC Conn Non ZIF UPPER CONTACT Embstp Pkg -LEAD FREE- MOLEX INCORPORATED MATERIAL NO. SEE CHART DRAWING NO. SD-52689-002 SHEET NO. 1 OF 2		INCH mm ONLY REVERSE ON CAD ONLY SIZE B EN-02J(097) MXJ-54	
--	--	---	--	---	--	---	--	---	--	---	--	---	--



32	37.4	33.4	21.4	14.8	20.4	52689-2876	28
			19.9	13.3	18.9	-2576	25
			17.4	10.8	16.4	-2076	20
			16.9	10.3	15.9	-1976	19
			16.4	9.8	15.4	-1876	18
			15.9	9.3	14.9	-1776	17
			15.4	8.8	14.4	-1676	16
			14.9	8.3	13.9	-1576	15
			14.4	7.8	13.4	-1476	14
24	29.4	25.4	13.9	7.3	12.9	-1376	13
			13.4	6.8	12.4	-1276	12
			12.9	6.3	11.9	-1176	11
			12.4	5.8	11.4	-1076	10
			11.9	5.3	10.9	-0976	9
			11.4	4.8	10.4	-0876	8
			10.9	4.3	9.9	-0776	7
			10.4	3.8	9.4	-0676	6
			9.9	3.3	8.9	52689-0576	5
キャリアテープ幅 CARRIER TAPE WIDTH	E	D	(C)	(B)	(A)	MATERIAL NO.	極数 CIRCUIT

DO NOT SCALE DRAWING

264 NO. DRWN: CHK: APPR:	263 NO. DRWN: CHK: APPR:	262 NO. DRWN: CHK: APPR:	REVISED 261 NO. J2004-2777 DRWN: M.NINOMIYA CHK: K.TOJO APPR: M.SASAO	RELEASED 260 NO. J2004-1864 DRWN: M.NINOMIYA CHK: K.TOJO APPR: M.SASAO	DESCRIPTION MATERIAL 材料 FINISH 仕上げ WIRE RANGE 適用層線範囲 INS. RANGE 被覆外径	注記参照 SEE NOTES // // //
A					REV	

GENERAL TOLERANCES: (UNLESS SPECIFIED) 一般公差	SCALE 1:1 DESIGN UNITS mm INCH	MODEL NO. 52689-***76	DIMENSIONS: mm INCH mm ONLY	SHT 2 REV B
10 UNDER 未満 ±0.2 10 OVER 30 UNDER 未満 ±0.25 30 OVER 以上 ±0.3	DRAWN BY & DATE M.NINOMIYA '04/01/09 CHECKED BY & DATE K.TOJO '04/01/09 APPROVED BY & DATE M.SASAO '04/01/09	TITLE: 0.5 FPC Conn Non ZIF UPPER CONTACT Embstp Pkg -LEAD FREE-	MOLEX INCORPORATED	MATERIAL NO. SEE CHART DRAWING NO. SD-52689-002 SHEET NO. 2 OF 2
ANGLE 角度 ±3°	CAD FILENAME SD-52689-002.S01	MOLEX INCORPORATED	MATERIAL NO. SEE CHART DRAWING NO. SD-52689-002	SHEET NO. 2 OF 2
THIS DRAWING CONTAINS INFORMATION THAT IS PROPRIETARY TO MOLEX INCORPORATED AND SHOULD NOT BE USED WITHOUT WRITTEN PERMISSION.				SIZE B