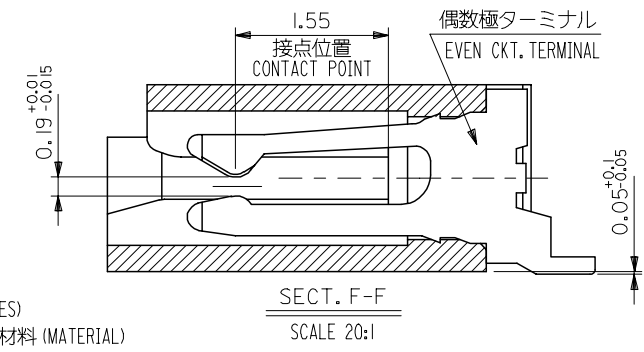
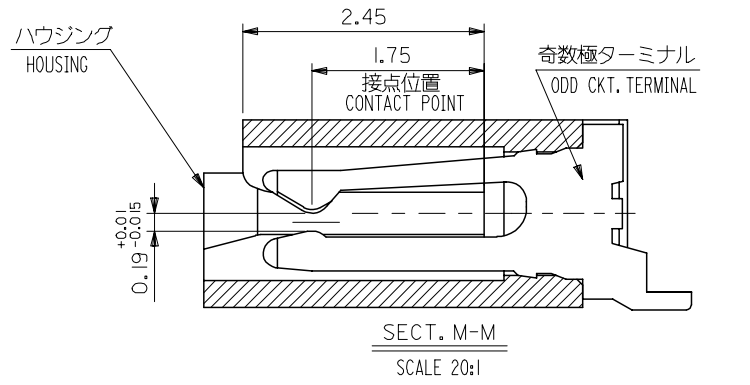
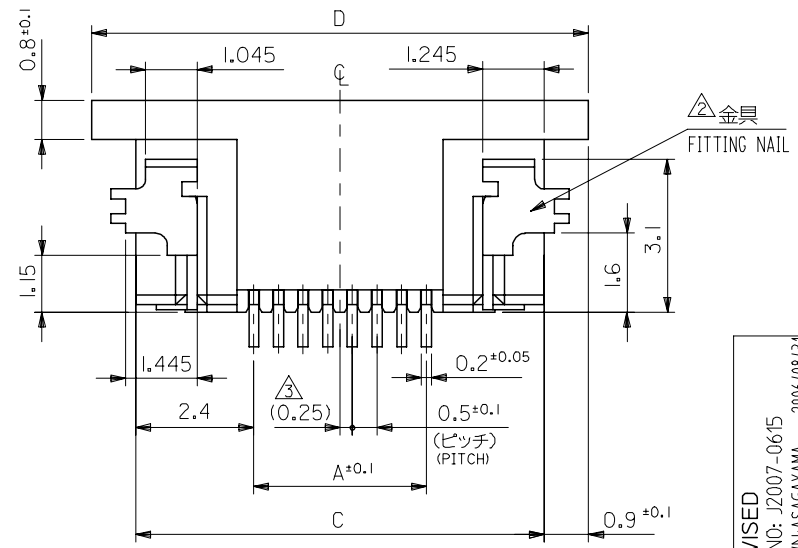
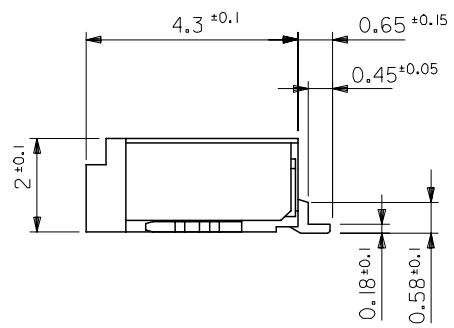
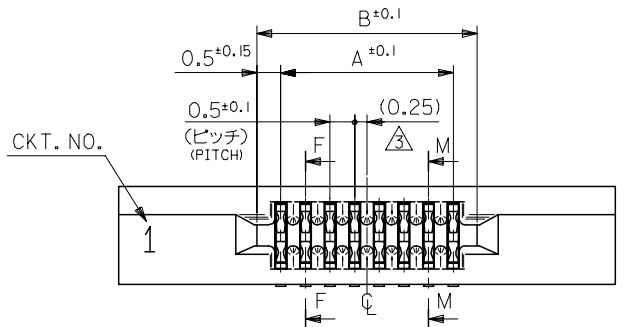
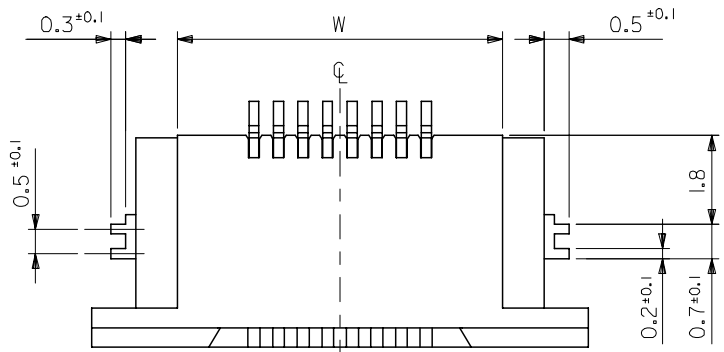
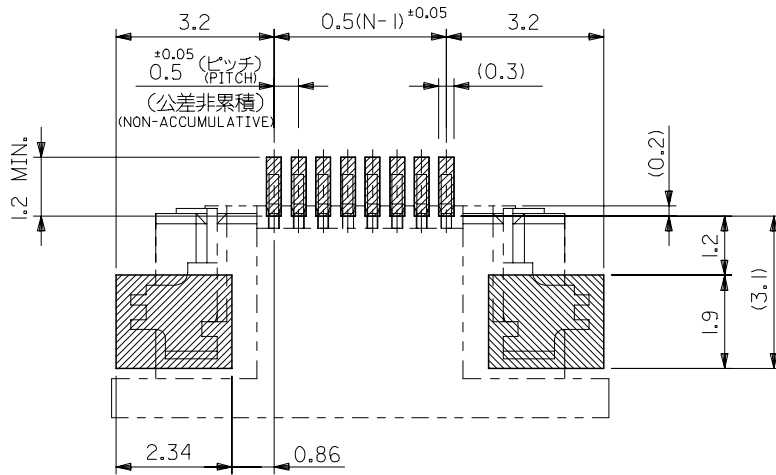


10 9 8 7 6 5 4 3 2 1

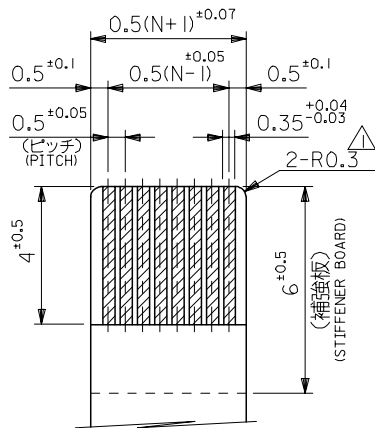


- 注記(NOTES)
1. 使用材料 (MATERIAL)
 ターミナル (TERMINAL): リン青銅, 金メッキ (接点部) 錫メッキ (テール部)
 PHOSPHOR BRONZE t=0.2, GOLD (CONTACT) TIN (TAIL) PLATING
 ハウジング (HOUSING): 46ナイロン(46NYLON), UL 94V-0
 金具 (FITTING NAIL): リン青銅, 錫メッキ (PHOSPHOR BRONZE t=0.2 TIN PLATING)
 △ パターン剥離止め用金具。(FITTING NAIL FOR PREVENTION OF PEELING OFF PCB.PATTERN.)
 △ 偶数極に適用。(TO BE APPLIED ONLY WHEN ALL CKTS. ARE EVEN.)
 4. 各接点位置の上下方向のパラツキは 0.03MAX.
 5. テール及び金具の平坦度は 0.1 以下。(TAIL & NAIL COPLANARITY TO BE 0.1 MAX.)
 6. 本製品は 52689-**60 の鉛フリー(部分金メッキ)品である。
 THIS PRODUCT IS LEAD FREE OF 52689-**60 (SELECTIVE GOLD).

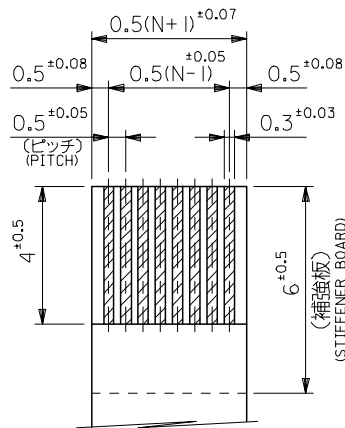
REVISED EC NO: J2007-0615 DRWN: SAGAYAMA 2006/08/31 CHKD: KTOYODA 2006/09/05 APPR: NUKITA 2006/09/08	GENERAL TOLERANCES (UNLESS SPECIFIED)		DIMENSION STYLE MM ONLY		SCALE ---	DESIGN UNITS METRIC	THIRD ANGLE PROJECTION
	10 UNDER	±0.2	DRAWN BY MNABE I	DATE '04/09/03	TITLE 0.5 FPC CONN NON ZIF HSG ASSY FOR SMT UPR CONT -LEAD FREE-		
	10 OVER 30 UNDER	±0.25	CHECKED BY KTOJO	DATE '04/09/03	MOLEX INCORPORATED		
	30 OVER	±0.3	APPROVED BY NUKITA	DATE '04/09/03	MATERIAL NO. 52689-**64	DOCUMENT NO. SD-52689-042	SHEET NO. 1 OF 2
ANGULAR	±3 °	DRAFT WHERE APPLICABLE MUST REMAIN WITHIN DIMENSIONS		THIS DRAWING CONTAINS INFORMATION THAT IS PROPRIETARY TO MOLEX INCORPORATED AND SHOULD NOT BE USED WITHOUT WRITTEN PERMISSION			



参考基板レイアウト (マウント面)
REFERENCE P.C. BOARD PATTERN DIMENSION (MOUNTING SIDE)



適合FPC推奨寸法
APPLICABLE FPC
RECOMMENDED DIMENSION
(仕上がり厚さ: $0.3^{+0.03}$)
(THICKNESS: $0.3^{+0.03}$)



適合FPC推奨寸法
APPLICABLE FPC
RECOMMENDED DIMENSION
(仕上がり厚さ: $0.3^{+0.03}$)
(THICKNESS: $0.3^{+0.03}$)

FPCについて:
打抜き方向は、導体側から補強板側を推奨いたします。
補強フィルム材質は、ポリイミドを推奨いたします。
接着剤は、熱硬化接着剤を推奨いたします。

ABOUT FPC :
RECOMMENDED PUNCHER DIRECTION : FROM CONDUCTOR SIDE TO STIFFENER BOARD SIDE.
RECOMMENDED MATERIAL :
STIFFENER FILM : POLYIMIDE
BONDING AGENT : THERMOSETTING BONDING AGENT

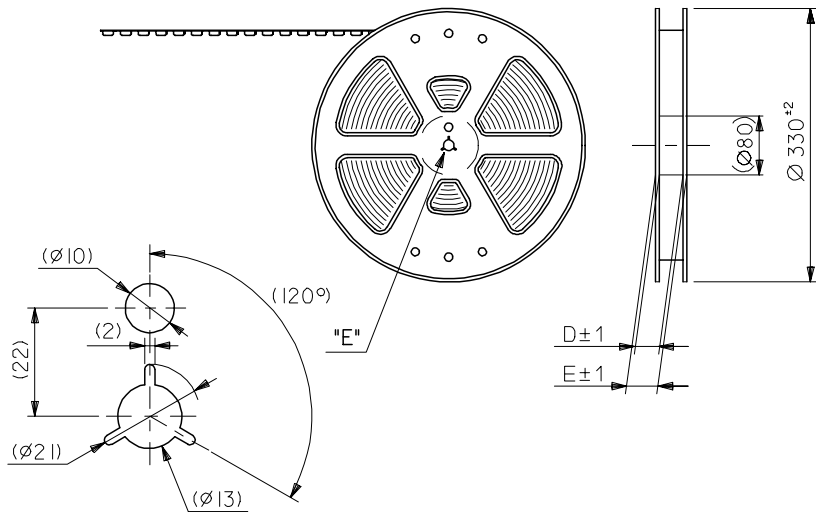
13.6	17.1	15.3	11.5	10.5	52689-2264	22
12.6	16.1	14.3	10.5	9.5	-2064	20
11.6	15.1	13.3	9.5	8.5	-1864	18
9.6	13.1	11.3	7.5	6.5	-1464	14
8.1	11.6	9.8	6.0	5.0	-1164	11
7.6	11.1	9.3	5.5	4.5	-1064	10
5.6	9.1	7.3	3.5	2.5	-0664	6
5.1	8.6	6.8	3.0	2.0	52689-0564	5
W	D	C	B	A	MATERIAL NO.	極数 CKT.

注記 NOTES

△ R0.3は、FPCの導体側にかからないこと。
R0.3 MUST NOT BE OVERLAPPED TO PATTERN OF FPC.

REVISED EC NO: J2007-0615 DRWN: SASAGAYAMA 2006/08/31 CHKD: KATOYODA 2006/09/05 APPR: NUKITA 2006/09/08	GENERAL TOLERANCES (UNLESS SPECIFIED)		DIMENSION STYLE MM ONLY		SCALE ---	DESIGN UNITS METRIC	THIRD ANGLE PROJECTION
	10 UNDER	±0.2	DRAWN BY MNABEI	DATE '04/09/03	TITLE 0.5 FPC CONN NON ZIF HSG ASSY FOR SMT UPR CONT -LEAD FREE-		
	10 OVER 30 UNDER	±0.25	CHECKED BY KTOJO	DATE '04/09/03	APPROVED BY NUKITA		
	30 OVER	±0.3	APPROVED BY NUKITA	DATE '04/09/03	MATERIAL NO. 52689-**64		
ANGULAR ±3 °		DRAFT WHERE APPLICABLE MUST REMAIN WITHIN DIMENSIONS		DOCUMENT NO. SD-52689-042		SHEET NO. 2 OF 2	
THIS DRAWING CONTAINS INFORMATION THAT IS PROPRIETARY TO MOLEX INCORPORATED AND SHOULD NOT BE USED WITHOUT WRITTEN PERMISSION							

引き出し方向
PULL OUT
DIRECTION



DETAIL "E"

注記 NOTES

- 製品詳細寸法については図面 SD-52689-042 を参照下さい。
RE DETAILED DIMENSION,SEE SD-52689-042
- 梱包数量：1000個/リール
NUMBER OF CONNECTORS:1000PCS/REEL
- リードテープ長さ LEAD TAPE LENGTH

トップテープ リーダー部 175 ±25	トップテープ 未接着部 25 ±5
TOP TAPE LEADER PART	TOP TAPE NON-BONDED PART

引き出し方向 PULL OUT DIRECTION	リーダー部 (空部) LEADER PART (EMPTY) 120 ±20	部品挿入部 COMPONENT SUPPLIER	末端部 (空部) TAIL PART (EMPTY) 150 ±40
---------------------------------	---	--------------------------------	--
- 材料

キャリアテープ：ポリプロピレン (PP)
 トップテープ：PET, PE, PEF
 リール：ポリスチレン (PS) <リサイクル材を含む>

MATERIAL CARRIER TAPE:POLYPROPYLENE
 TOP TAPE:PET,PE,PEF
 REEL:POLYSTYRENE(PS)
 <RECYCLE MATERIAL CONTAINED>
- 本製品は 52689-**-95 の鉛フリー(部分金メッキ)品である。
THIS PRODUCT IS LEAD FREE OF 52689-**-95 (SELECTIVE GOLD).

REVISED EC NO: J2007-0615 DRWN: SASAGAYAMA 2006/08/31 CHKD: KTOYODA 2006/09/05 APPR: NUKITA 2006/09/08	GENERAL TOLERANCES (UNLESS SPECIFIED)		DIMENSION STYLE MM ONLY		SCALE ---	DESIGN UNITS METRIC	THIRD ANGLE PROJECTION
	10 UNDER	±0.2	DRAWN BY MNABE I	DATE '04/09/03	TITLE 0.5 FPC CONN HSG ASSY EMBOSSED TAPE PACKAGE -LEAD FREE-		
	10 OVER 30 UNDER	±0.25	CHECKED BY KTOJO	DATE '04/09/03			
	30 OVER	±0.3	APPROVED BY NUKITA	DATE '04/09/03	MOLEX INCORPORATED		
	ANGULAR	±3 °	MATERIAL NO. 52689-**-73	DOCUMENT NO. SD-52689-043			
DRAFT WHERE APPLICABLE MUST REMAIN WITHIN DIMENSIONS		SIZE A3	THIS DRAWING CONTAINS INFORMATION THAT IS PROPRIETARY TO MOLEX INCORPORATED AND SHOULD NOT BE USED WITHOUT WRITTEN PERMISSION				

10 9 8 7 6 5 4 3 2 1

F

E

D

C

B

A

F

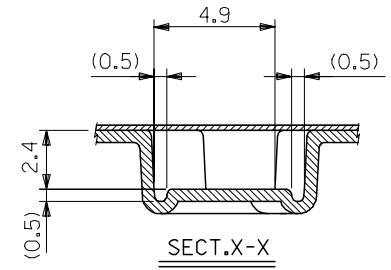
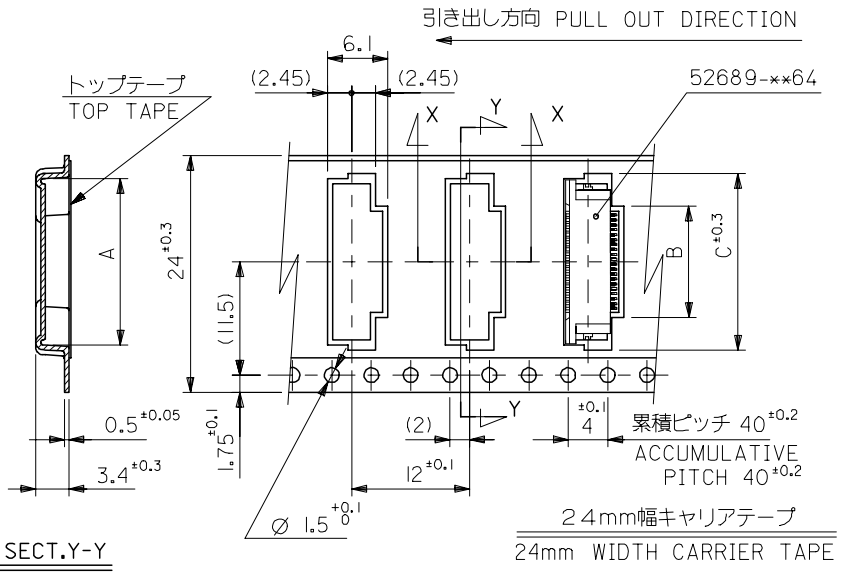
E

D

C

B

A



24	29.4	25.4	17.4	10.8	16.4	52689-2073	20
			16.4	9.8	15.4	-1873	18
			14.4	7.8	13.4	-1473	14
			12.9	6.3	11.9	-1173	11
			12.4	5.8	11.4	-1073	10
			10.4	3.8	9.4	-0673	6
9.9	3.3	8.9	52689-0573	5			
キャリアテープ幅 CARRIER TAPE WIDTH	E	D	(C)	(B)	(A)	MATERIAL NO.	極数 CIRCUIT

REVISED EC NO: J2007-0615 DRWN: SASAGAYAMA 2006/08/31 CHKD: KTOYODA 2006/09/05 APPR: NUKITA 2006/09/08	GENERAL TOLERANCES (UNLESS SPECIFIED)		DIMENSION STYLE MM ONLY		SCALE ---	DESIGN UNITS METRIC	THIRD ANGLE PROJECTION
	10 ^{UNDER}	±0.2	DRAWN BY MNABE I	DATE '04/09/03	TITLE 0.5 FPC CONN HSG ASSY EMBOSSED TAPE PACKAGE -LEAD FREE-		
	10 ^{OVER} 30 ^{UNDER}	±0.25	CHECKED BY KTOJO	DATE '04/09/03	MOLEX INCORPORATED		
	30 ^{OVER}	±0.3	APPROVED BY NUKITA	DATE '04/09/03	MATERIAL NO. 52689-**73	DOCUMENT NO. SD-52689-043	SHEET NO. 2 OF 3
	ANGULAR ±3 °		DRAFT WHERE APPLICABLE MUST REMAIN WITHIN DIMENSIONS		THIS DRAWING CONTAINS INFORMATION THAT IS PROPRIETARY TO MOLEX INCORPORATED AND SHOULD NOT BE USED WITHOUT WRITTEN PERMISSION		

10 9 8 7 6 5 4 3 2 1

F

E

D

C

B

A

F

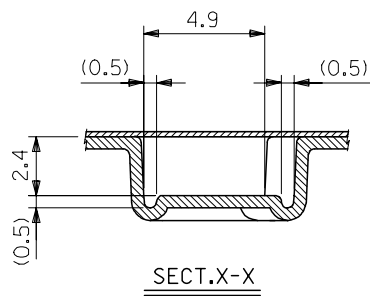
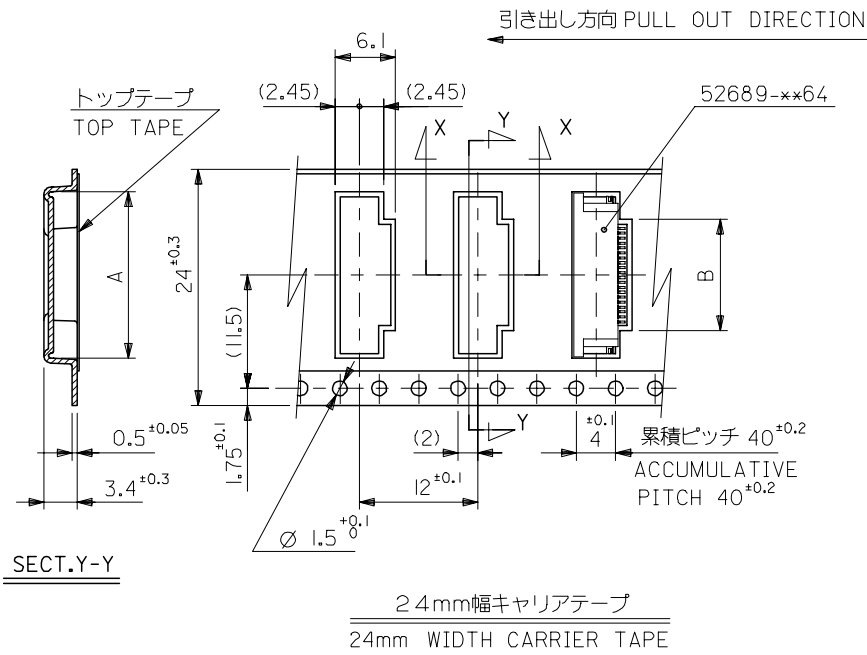
E

D

C

B

A



24mm幅キャリアテープ
24mm WIDTH CARRIER TAPE

24	29.4	25.4	11.8	17.4	52689-2273	22
キャリアテープ幅 CARRIER TAPE WIDTH	E	D	(B)	(A)	MATERIAL NO.	極数 CIRCUIT
DIMENSION STYLE MM ONLY		SCALE ---	DESIGN UNITS METRIC		THIRD ANGLE PROJECTION	
DRAWN BY MNABE I	DATE '04/09/03	TITLE 0.5 FPC CONN HSG ASSY EMBOSSED TAPE PACKAGE -LEAD FREE-				
CHECKED BY KTOJO	DATE '04/09/03	APPROVED BY NUKITA				
APPROVED BY NUKITA		DATE '04/09/03	MOLEX INCORPORATED		SHEET NO. 3 OF 3	
MATERIAL NO. 52689-**73		DOCUMENT NO. SD-52689-043			SHEET NO. 3 OF 3	
SIZE A3 THIS DRAWING CONTAINS INFORMATION THAT IS PROPRIETARY TO MOLEX INCORPORATED AND SHOULD NOT BE USED WITHOUT WRITTEN PERMISSION						

REVISED	DESCRIPTION
EC NO: J2007-0615	GENERAL TOLERANCES (UNLESS SPECIFIED)
DRWN: SAGAYAMA	10 UNDER ±0.2
CHKD: KTOYODA	10 OVER 30 UNDER ±0.25
APPR: NUKITA	30 OVER ±0.3
	ANGULAR ±3 °
	DRAFT WHERE APPLICABLE MUST REMAIN WITHIN DIMENSIONS