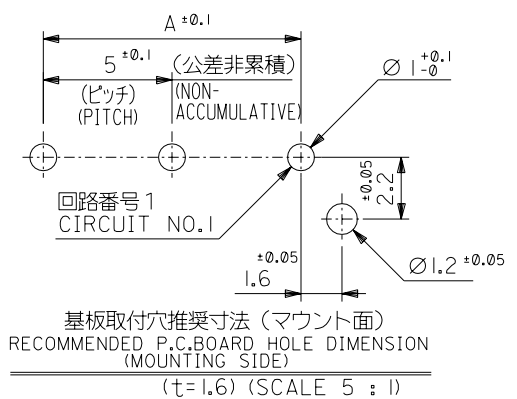
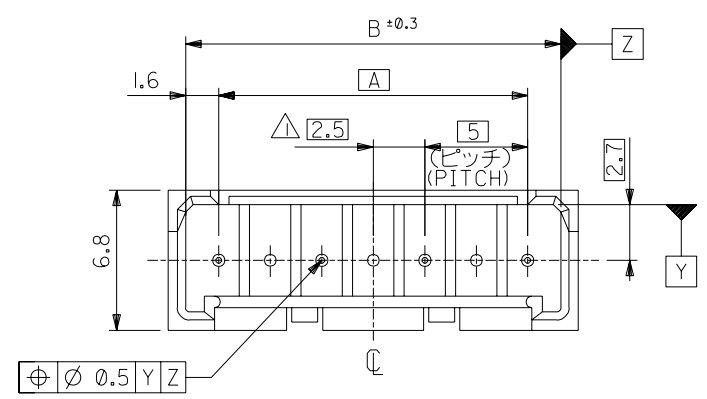


DWG. NO. SD-53376-**-10

MM DIMENSIONS IN METRIC DO NOT SCALE DRAWING



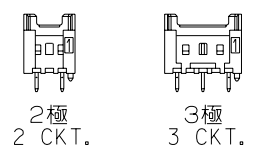
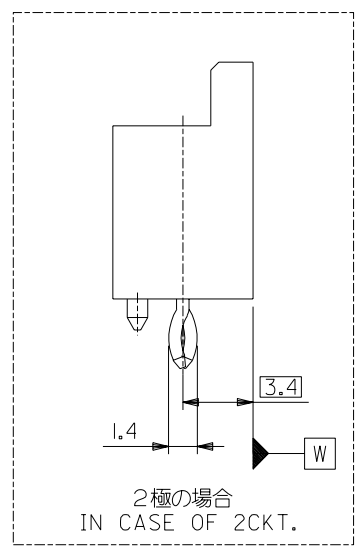
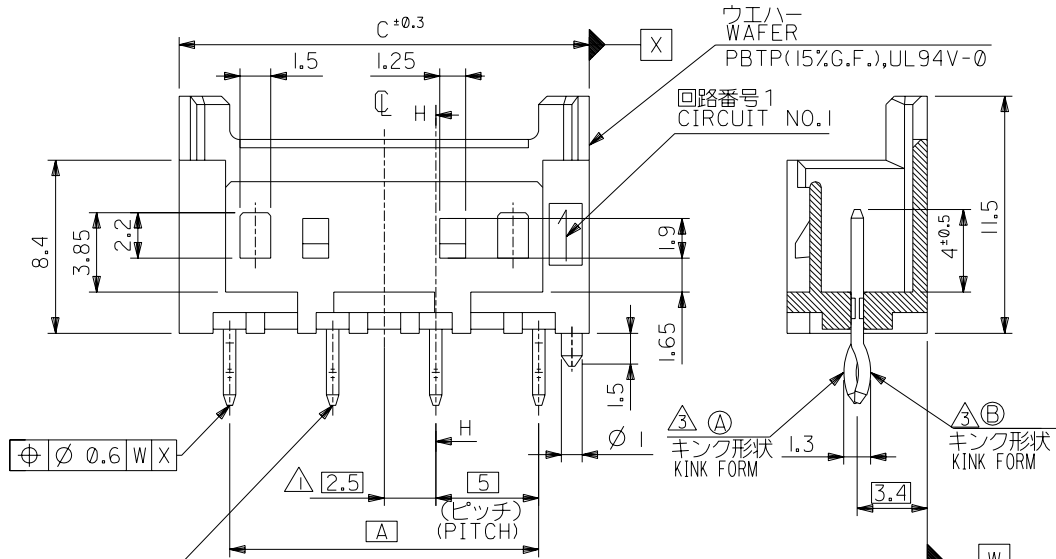
注記
NOTES

△ 偶数極品に適用。
APPLIES ONLY TO EVEN NO. CKT. SIZES.

2. 嵌合相手：51102,51103 シリーズ
MATES WITH : 51102,51103 SERIES.

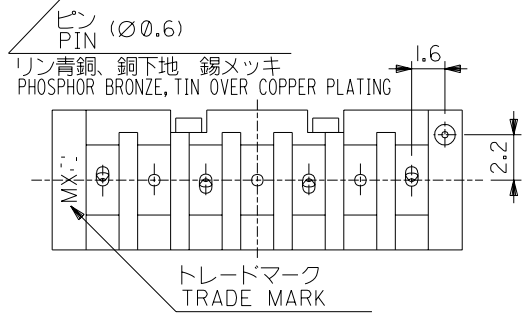
△ 3極以上のキンク形状は両サイドが(A)、その他の極はすべて(B)形状とする。
KINK FORM MORE THAN 2 CURCUIT: PINS AT BOTH ENDS ARE KINK FORMED TO (A), THE OTHER PINS ARE KINK FORMED TO (B).

基板取付穴推奨寸法 (マウント面)
RECOMMENDED P.C.BOARD HOLE DIMENSION (MOUNTING SIDE)
($t=1.6$) (SCALE 5 : 1)



ロック形状図
LOCK CONFIGURATION

| | | | | |
|------|------|----|--------------|-----------------|
| 39.9 | 38.2 | 35 | 53376-0810 | 8 |
| 34.9 | 33.2 | 30 | -0710 | 7 |
| 29.9 | 28.2 | 25 | -0610 | 6 |
| 24.9 | 23.2 | 20 | -0510 | 5 |
| 19.9 | 18.2 | 15 | -0410 | 4 |
| 14.9 | 13.2 | 10 | -0310 | 3 |
| 9.9 | 8.2 | 5 | 53376-0210 | 2 |
| C | B | A | MATERIAL NO. | 極数 NO. OF CKTS. |



| | | | | | | | | | | |
|-------------------------|--|-------|--------|----------------------|--------------|---------|-----------|------------------------------|-----------------------------|---|
| 角度 ANGLE | | ±3° | C | 変更 REVISIED | (J2004-3573) | Y.W | 04/04/05 | 材料 MATERIAL | 図中参照 SEE DRAWING | MATERIAL NO. MOLEX-JAPAN CO.,LTD. 日本モレックス株式会社 |
| 30°以上 OVER | | +0.3 | B | 変更 REVISIED | (J30121) | K.T | '93/2/9 | 仕上げ FINISH | — | |
| 10°以上 30°未満 UNDER | | +0.25 | A | 変更 REVISIED | (J21178) | K.T | '92/12/16 | 適用電線範囲 WIRE RANGE | — | TITLE 名称 |
| 未満 10° UNDER | | +0.2 | ① | 新規作成 PROPOSED | (J20390) | K.T | '92/5/8 | 被覆外径 INS. RANGE | — | 5.0 WIRE TO BOARD CONN. WAFER ASS'Y WITH KINK -LEAD FREE- |
| 一般公差 GENERAL TOLERANCES | | | 記号 LTR | 変更内容 REVISION RECORD | DR. CHK. | 日付 DATE | | DRAWN BY '92/5/6 K.TOJO | CHK'D BY '93/2/9 H.HIRAMOTO | DWG. NO. |
| | | | | | | | | APP'D BY '93/2/9 M.FUKUSHIMA | 尺度 SCALE 4 : 1 | REV C |