

注記 NOTES

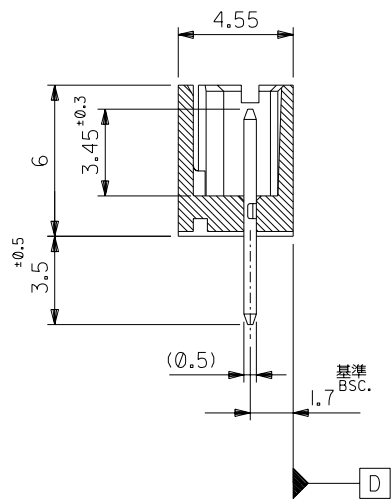
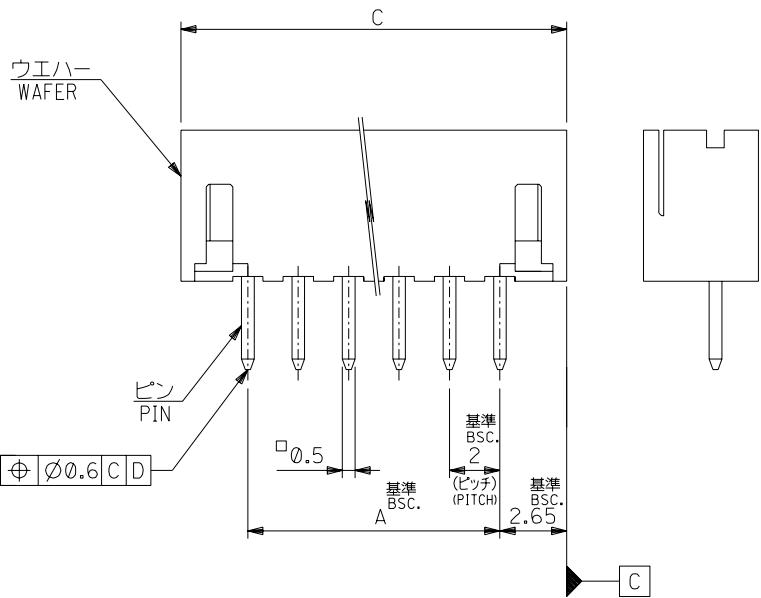
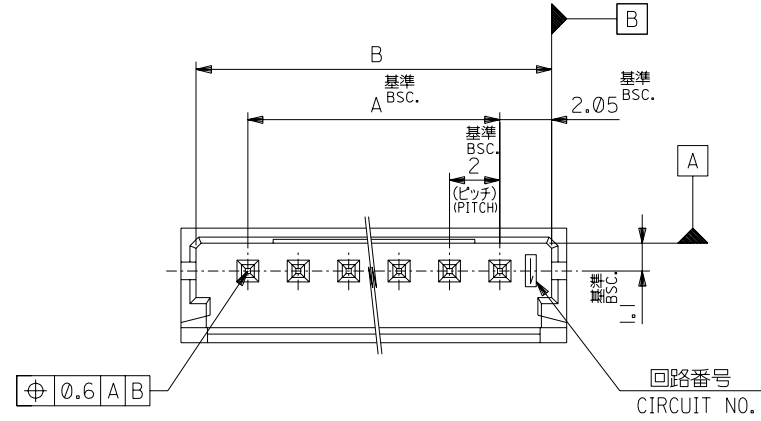
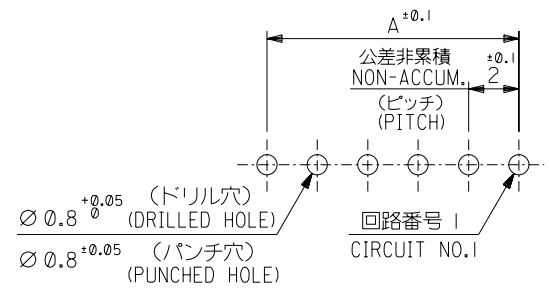
1. 嵌合相手 : 51090-***00, 52484-***1
MATES WITH
2. 材質
MATERIAL
ウエハー : ガラス入り 66ナイロン
UL94V-0 色 : 表参照
WAFER : GLASS FILL 66 NYLON
UL94V-0, COLOR : SEE CHART
ピン : 黄銅, スズメッキ
PIN : BRASS, PRE-TINNED

ナチュラル(白) NATURAL(WHITE)	5
赤 RED	6
黄 YELLOW	7
青 BLUE	8

△ 製品番号
MATERIAL NO.
53401-***3*

極数CIRCUIT SIZE 色COLOR

基板取付穴推奨寸法 (t=1.6)
RECOMMENDED P.C. BOARD HOLE DIM. (t=1.6)



無鉛
LEAD FREE

15	33.3	32.1	28	53401-153*	53401-***3*
14	31.3	30.1	26	-143*	
13	29.3	28.1	24	-133*	
12	27.3	26.1	22	-123*	
11	25.3	24.1	20	-113*	
10	23.3	22.1	18	-103*	
9	21.3	20.1	16	-093*	
8	19.3	18.1	14	-083*	
7	17.3	16.1	12	-073*	
6	15.3	14.1	10	-063*	
5	13.3	12.1	8	-053*	
4	11.3	10.1	6	-043*	
3	9.3	8.1	4	-033*	
2	7.3	6.1	2	53401-023*	
極数 CKT.	C	B	A	△ MATERIAL NO.	MODEL NO.

DO NOT SCALE DRAWING

EC NO. DRWN: CHK: APPR:	EC NO. DRWN: CHK: APPR:	EC NO. DRWN: CHK: APPR:	EC NO. DRWN: CHK: APPR:	ECNN0-J2003-2361 DRWN: A.IDA '03/03/13 CHK: J.MIYAZAWA '03/03/13 APPR: YO.ITO '03/03/13	RELEASD	DESCRIPTION	MATERIAL 材料 # 注記参照 SEE NOTES	FINISH 仕上げ #	WIRE RANGE 適用電線範囲 #	INS. RANGE 被覆外径 #	GENERAL TOLERANCES: (UNLESS SPECIFIED) 一般公差	SCALE 5-1 DESIGN UNITS THIRD ANGLE PROJECTION	DIMENSIONS: mm INCH mm ONLY	SHT REV REVISE ON CAD ONLY	
											10 UNDER 未満 ±0.2 10 OVER 以上 30 UNDER 未満 ±0.25 30 OVER 以上 ±0.3	DRAWN BY & DATE A. Ida '03/03/13 CHECKED BY & DATE J. Miyazawa '03/03/13 APPROVED BY & DATE Y. Ito '03/03/13	TITLE: 2.0 WIRE TO BOARD CONN. WAFER ASS'Y (ST.) WITHOUT BOSS		
											ANGLE 角度 ±3°	CAD FILENAME SD-53401-018.S01	MATERIAL NO. SEE CHART	DRAWING NO. SD-53401-018	SHEET NO. 1 OF 1
											THIS DRAWING CONTAINS INFORMATION THAT IS PROPRIETARY TO MOLEX INCORPORATED AND SHOULD NOT BE USED WITHOUT WRITTEN PERMISSION.				SIZE B