

DWG. NO. SD-53748-001

8

7

6

5

4

3

2

1

F

E

D

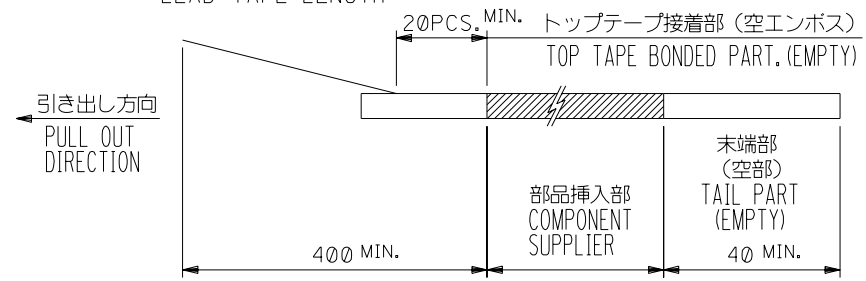
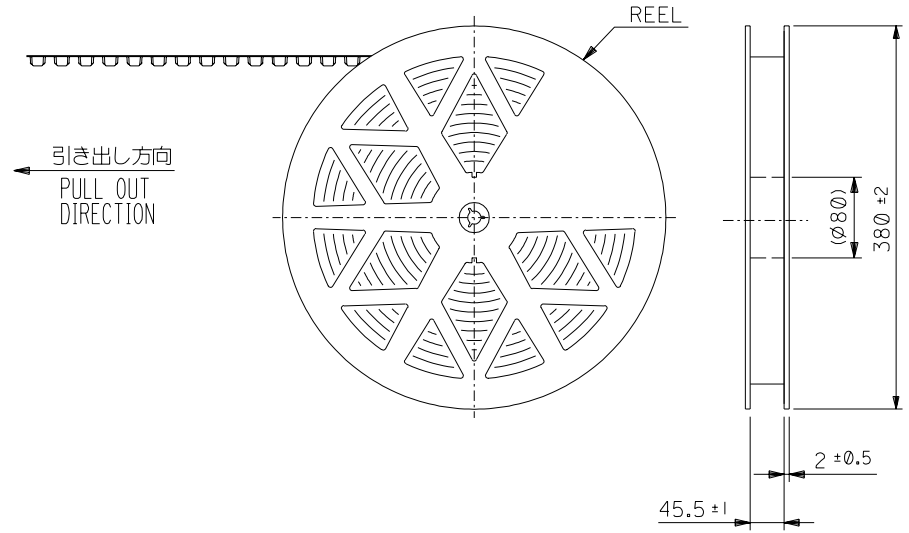
C

B

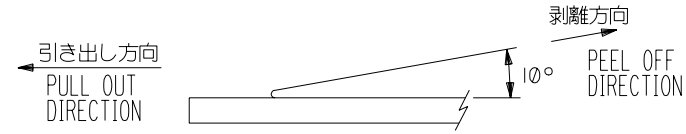
A

NOTES

- 製品詳細寸法については、図面 SD-53748-***0 を参照下さい。
PRODUCT'S DETAIL DIMENSIONS, PLEASE REF. SD-53748-***0
- 梱包数量：3000個/リール
PACKAGE SPECIFICATION: 3000 PCS./REEL
- リードテープ長さ
LEAD TAPE LENGTH



- トップテープの剥離強度：0.1N～1.3N (10.2gf～130gf)
(剥離方向は下図参照)
尚、本規格値は出荷時に適用。(但し、輸送時に剥離が発生しないこと。)
PEELING FORCE OF TOP TAPE: 0.1N - 1.3N (10.2gf - 130gf)
(PEELING DIRECTION AS SHOWN IN FOLLOWING FIGURE)
THIS REQUIREMENT SHOULD BE APPLIED AT SHIPMENT.
PEEL OFF SHOULD NOT BE ALLOWED, DURING TRANSPORTATION.



- 材料 (MATERIAL)
キャリアテープ：導電性ポリスチレン (PS)
CARRIER TAPE: CONDUCTIVE POLYSTYRENE (PS)
トップテープ：帯電防止ポリエチレンテレフタレート (PET)、
ポリエチレン (PE)
TOP TAPE: ANTISTATIC POLYETHYLENE TEREPHTHALATE (PET),
POLYETHYLENE (PE)
リール：帯電防止ポリスチレン (PS)
REEL: ELECTROSTATIC DISSIPATIVE POLYSTYRENE (PS)

DO NOT SCALE DRAWING

EC NO. DRAWN: CHK: APPR:	EC NO. DRAWN: CHK: APPR:	EC NO. DRAWN: CHK: APPR:	EC NO. DRAWN: CHK: APPR:	RELEASED '04/02/17 EC NO. J2004-2484 DRAWN: Y. NUKANOBU CHK: T. HIRATA APPR: M. SASAO	MATERIAL 材料 REFER TO NOTES 注記参照	GENERAL TOLERANCES: (UNLESS SPECIFIED) 一般公差		SCALE	DESIGN UNITS	THIRD ANGLE PROJECTION	DIMENSIONS: <input type="checkbox"/> mm <input type="checkbox"/> INCH <input checked="" type="checkbox"/> mm ONLY		SHT	REV		
						10 UNDER 未満 30 UNDER 未満	±0.2 ±0.25	DRAWN BY & DATE Y. NUKANOBU '04/02/17	<input checked="" type="checkbox"/> mm <input type="checkbox"/> INCH	<input type="checkbox"/> THIRD ANGLE <input type="checkbox"/> FIRST ANGLE	TITLE: Embstp Pkg FOR 0.5 B-T-O-B PLUG Assy (Hgt=3) [ELECTRO CONDUCTIVITY]					
					FINISH 仕上げ //	10 OVER 以上 30 OVER 以上	±0.3	CHECKED BY & DATE T. HIRATA '04/02/17			MOLEX INCORPORATED					
					WIRE RANGE 適用電線範囲 //	ANGLE 角度	±3°	APPROVED BY & DATE M. SASAO '04/02/17			CAD FILENAME SD-53748-001.S01	MATERIAL NO. SEE CHART	DRAWING NO. SD-53748-001	SHEET NO. 1 OF 2		
					INS. RANGE 被覆外径 //	THIS DRAWING CONTAINS INFORMATION THAT IS PROPRIETARY TO MOLEX INCORPORATED AND SHOULD NOT BE USED WITHOUT WRITTEN PERMISSION.										SIZE B

8

7

6

5

4

3

2

DWG. NO. SD-53748-001

F

D

C

B

DO NOT SCALE DRAWING

8 7 6 5 4 3 2 1

F

E

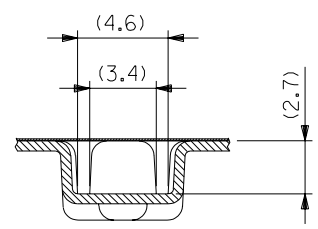
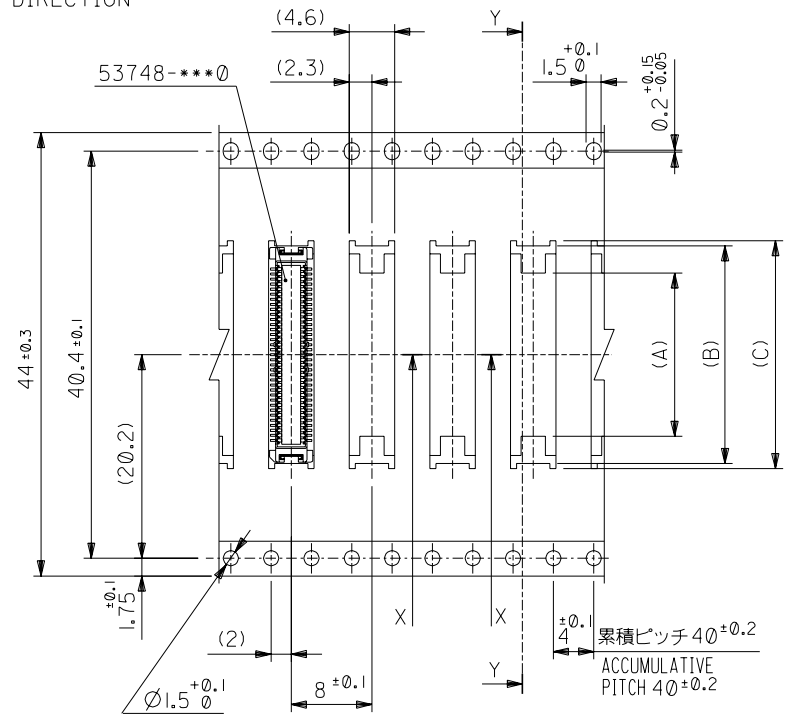
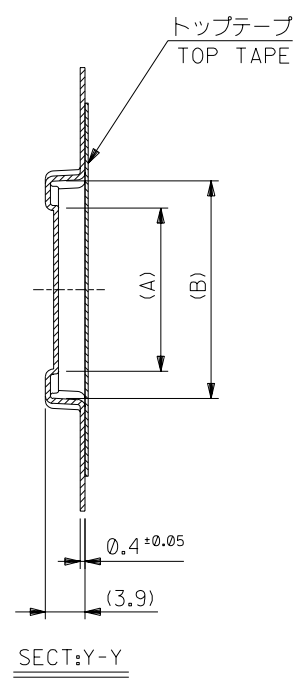
D

C

B

A

引き出し方向
PULL OUT DIRECTION



44mm幅キャリアテープ
44mm WIDTH CARRIER TAPE

44	25.1	24.1	18.7	53748-0801	80
キャリアテープ幅 CARRIER TAPE WIDTH	(C)	(B)	(A)	MATERIAL No.	極数 CIRCUITS
SCALE: <input type="checkbox"/> mm <input type="checkbox"/> INCH				DIMENSIONS: <input type="checkbox"/> mm <input type="checkbox"/> INCH	
DESIGN UNITS: <input checked="" type="checkbox"/> mm <input type="checkbox"/> INCH				THIRD ANGLE PROJECTION	
DRAWN BY & DATE Y.NUKANOBU '04/02/17			TITLE: Embstp Pkg FOR 0.5 B-T-O-B PLUG Assy (Hgt=3) [ELECTRO CONDUCTIVITY]		
CHECKED BY & DATE T.HIRATA '04/02/17			APPROVED BY & DATE M.SASAO '04/02/17		
CAD FILENAME SD-53748-001.S02			MATERIAL NO. SEE CHART		DRAWING NO. SD-53748-001
GENERAL TOLERANCES: (UNLESS SPECIFIED) 一般公差			SHEET NO. 2		
10 UNDER 未滿	±0.2	THIS DRAWING CONTAINS INFORMATION THAT IS PROPRIETARY TO MOLEX INCORPORATED AND SHOULD NOT BE USED WITHOUT WRITTEN PERMISSION.			
10 OVER 30 UNDER 以上 未滿	±0.25	SIZE B			
30 OVER 以上	±0.3	EN-02J(097) MXJ-54			
ANGLE 角度	±3°				

EC NO. DRWN: CHK: APPR:	EC NO. DRWN: CHK: APPR:	EC NO. DRWN: CHK: APPR:	EC NO. DRWN: CHK: APPR:	EC NO. DRWN: CHK: APPR:	RELEASED '04/02/17 EC NO. J2004-2484 DRWN: Y.NUKANOBU CHK: T.HIRATA APPR: M.SASAO	MATERIAL 材料 REFER TO NOTES 注記参照	GENERAL TOLERANCES: (UNLESS SPECIFIED) 一般公差
						FINISH 仕上げ //	10 UNDER 未滿 ±0.2
						WIRE RANGE 適用電線範囲 //	10 OVER 30 UNDER 以上 未滿 ±0.25
						INS. RANGE 被覆外径 //	30 OVER 以上 ±0.3
							ANGLE 角度 ±3°

8 7 6 5 4 3 2 1