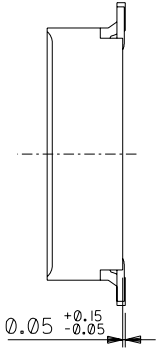
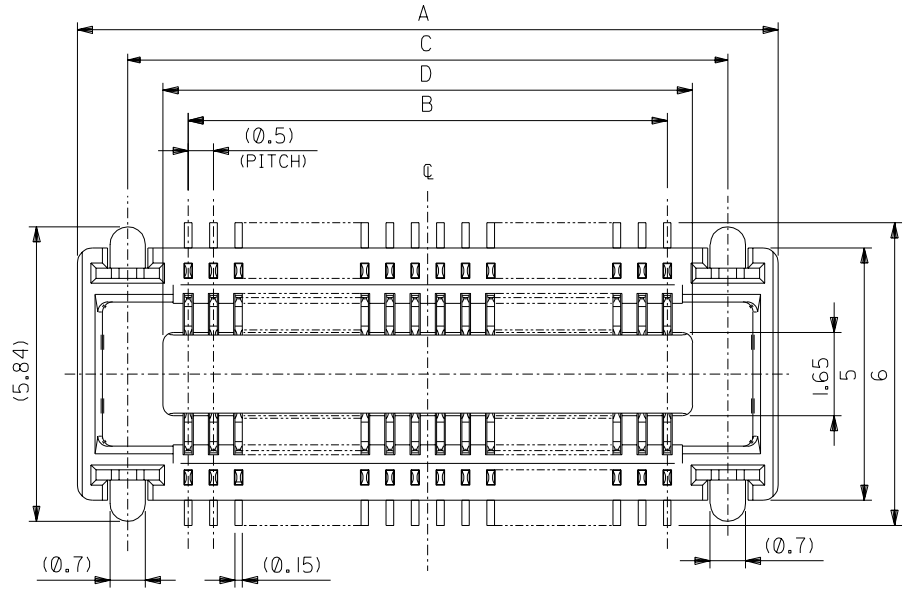
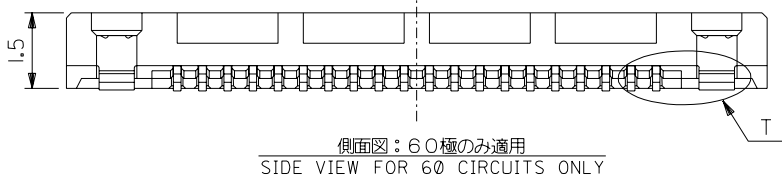
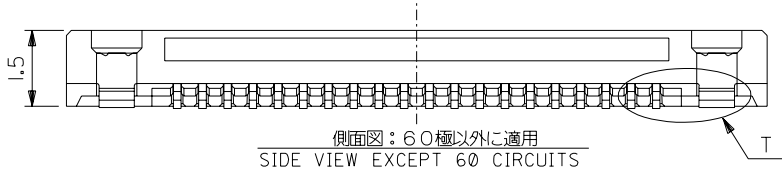


DWG. NO.
SD-54363-038



注記
NOTES:

1. 材質
MATERIAL
ハウジング: LCP (液晶ポリマー)、ガラス充填、黒色、UL 94V-0
HOUSING: LCP (LIQUID CRYSTAL POLYMER), GLASS FILLED, BLACK, UL 94V-0
ターミナル: 銅合金 (t=0.15)
TERMINAL: COPPER ALLOY (t=0.15)
ネイル: 銅合金 (t=0.2)
NAIL: COPPER ALLOY (t=0.2)
2. メッキ仕様
PLATING
ターミナル
TERMINAL
接点部: 金メッキ 0.25マイクロメートル以上
CONTACT AREA: GOLD 0.25 MICROMETER MINIMUM
半田付け部: 金メッキ 0.4マイクロメートル以下
SOLDER TAIL AREA: GOLD 0.4 MICROMETER MAXIMUM
下地メッキ: ニッケルメッキ 1.5マイクロメートル以上
UNDER PLATING: NICKEL 1.5 MICROMETER MINIMUM
ネイル
NAIL
鍍メッキ 3.0マイクロメートル以上
Sn 3.0 MICROMETER MINIMUM
下地メッキ: ニッケルメッキ 1.0マイクロメートル以上
UNDER PLATING: Ni 1.0 MICROMETER MINIMUM
3. テール平坦度は、0.08ミリメートル以下。テールとネイルを併せた平坦度は、0.1ミリメートル以下。
TAIL COPLANARITY TO BE 0.08 MAXIMUM. TAILS AND NAILS COPLANARITY TO BE 0.1 MAXIMUM.
4. 嵌合相手: 55299-**** (H=3mm)
55201-****, 55650-**** (H=2mm)
MATED CONN.: 55299-**** (H=3mm)
55201-****, 55650-**** (H=2mm)
5. この製品は54363-**01, (エンボス梱包品 54363-**08) の鉛フリー品です。
THIS PRODUCT IS 'LEAD FREE' OF 54363-**01, (EMBOSSSED TAPE PKG 54363-**08)



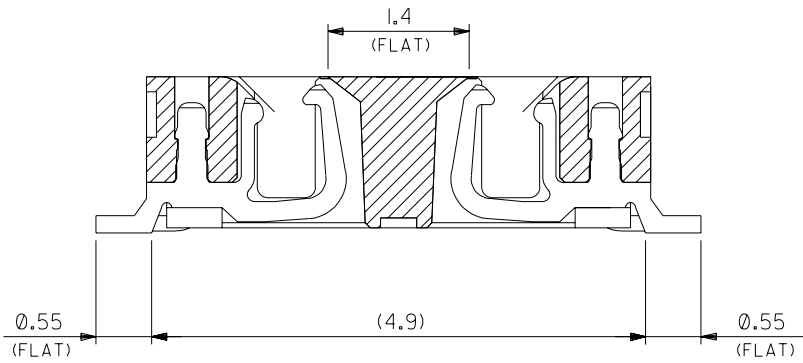
40.5	41.9	39.5	43.9	54363-1678	54363-1671	160	—
35.5	36.9	34.5	38.9	54363-1478	54363-1471	140	○
30.5	31.9	29.5	33.9	54363-1278	54363-1271	120	○
28	29.4	27	31.4	54363-1178	54363-1171	110	○
25.5	26.9	24.5	28.9	54363-1078	54363-1071	100	○
23	24.4	22	26.4	54363-0978	54363-0971	90	—
20.5	21.9	19.5	23.9	54363-0878	54363-0871	80	○
18	19.4	17	21.4	54363-0778	54363-0771	70	○
15.5	16.9	14.5	18.9	54363-0678	54363-0671	60	○
13	14.4	12	16.4	54363-0578	54363-0571	50	○
10.5	11.9	9.5	13.9	54363-0478	54363-0471	40	○
8	9.4	7	11.4	54363-0378	54363-0371	30	○
5.5	6.9	4.5	8.9	54363-0278	54363-0271	20	○

D	C	B	A	エンボス梱包品 EMBOSSSED TAPE PACKAGING	製品番号 MATERIAL NO.	極数 CIRCUITS	量産対応 AVAILABLE	
				SCALE 10-1	DESIGN UNITS <input checked="" type="checkbox"/> mm <input type="checkbox"/> INCH	DIMENSIONS: <input type="checkbox"/> mm <input type="checkbox"/> INCH <input checked="" type="checkbox"/> mm ONLY		
				GENERAL TOLERANCES: (UNLESS SPECIFIED) 一般公差	THIRD ANGLE PROJECTION		SHT REV	
				10 UNDER 未満 ±0.2	DRAWN BY & DATE A. Ida 04/01/06		TITLE: 0.5 mm PITCH B/B CONN. REC. HOUSING ASS'Y (H=2,3mm) WITH FITTING NAIL -LEAD FREE-	
				10 OVER 以上 30 UNDER 未満 ±0.25	CHECKED BY & DATE R. Takase 04/01/06			
				30 OVER 以上 ±0.3	APPROVED BY & DATE J. Mizuno / Y. Ito 04/01/06			
				ANGLE 角度 ±3°	CAD FILENAME SD-54363-038.S01		MOLEX INCORPORATED	
				MATERIAL NO. SEE CHART		DRAWING NO. SD-54363-038	SHEET NO. 1 OF 2	
							THIS DRAWING CONTAINS INFORMATION THAT IS PROPRIETARY TO MOLEX INCORPORATED AND SHOULD NOT BE USED WITHOUT WRITTEN PERMISSION.	SIZE B

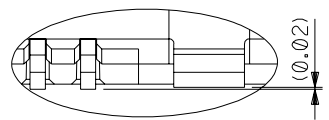
DO NOT SCALE DRAWING

EC NO. DRWN: CHK: APPR:	EC NO. DRWN: CHK: APPR:	EC NO. DRWN: CHK: APPR:	REVISED ECNNO. J2004-2225 DRWN: A.IDA 04/02/02 CHK: H.TAKASE APPR: MIYAZAWA/YO.ITO	RELEASED ECNNO. J2004-1740 DRWN: A.IDA 04/01/06 CHK: H.TAKASE APPR: MIYAZAWA/YO.ITO	MATERIAL 材料 注記参照 SEE NOTES	FINISH 仕上げ 注記参照 SEE NOTES	WIRE RANGE 適用層線範囲 —	INS. RANGE 被覆外径 —
A				0				

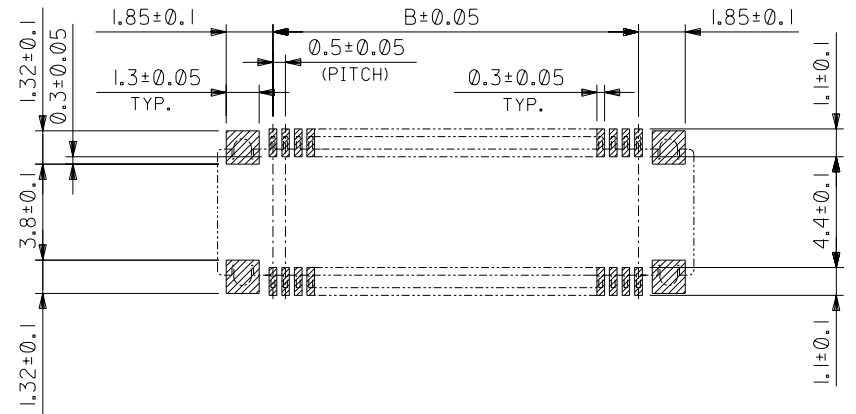
DWG. NO.
SD-54363-038



製品断面図 (半田付け部 吸着面寸法)
DETAIL FOR SOLDERING AND VACUUM AREA



T部詳細
DETAIL T



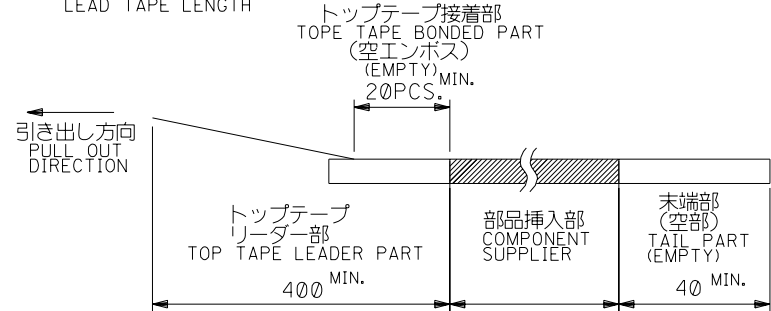
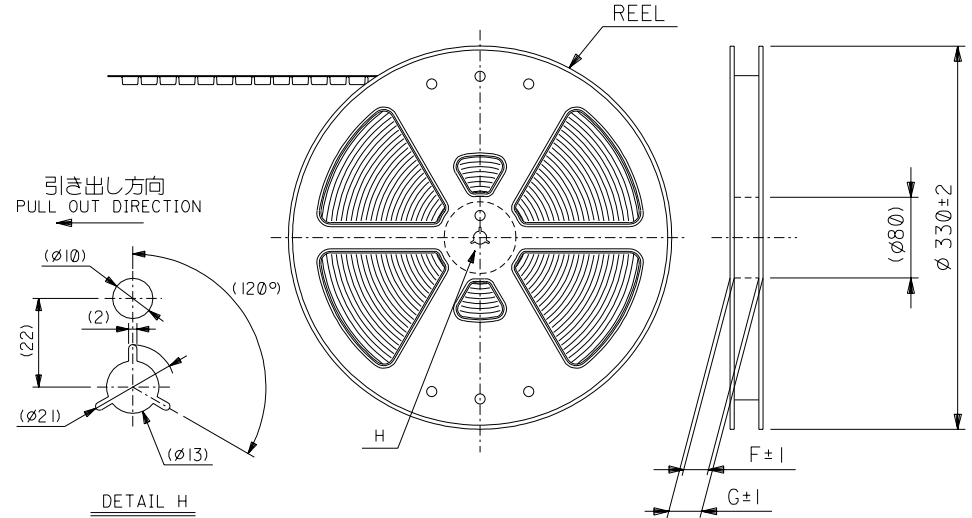
推奨基板寸法
RECOMMENDED PCB PATTERN LAYOUT
(SCALE:5-1)

DO NOT SCALE DRAWING

EC NO. DRAWN: CH'K: APPR:				EC NO. DRAWN: CH'K: APPR:				EC NO. DRAWN: CH'K: APPR:				EC NO. DRAWN: CH'K: APPR:				SEE SHEET 1 OF 2 EC NO. DRAWN: CH'K: APPR:		REVISION		MATERIAL 材料		GENERAL TOLERANCES: (UNLESS SPECIFIED) 一般公差		SCALE 20-1		DESIGN UNITS <input checked="" type="checkbox"/> mm <input type="checkbox"/> INCH		THIRD ANGLE PROJECTION		DIMENSIONS: <input type="checkbox"/> mm <input type="checkbox"/> INCH <input checked="" type="checkbox"/> mm ONLY		SHT REV			
↑														0		REV		注記参照 SEE NOTES		10 UNDER 未満		±0.2		DRAWN BY & DATE A. Ida '04/01/06		TITLE: 0.5 mm PITCH B/B CONN. REC. HOUSING ASS'Y (H=2,3mm) WITH FITTING NAIL -LEAD FREE-		MATERIAL NO.		DRAWING NO.		SHEET NO.			
																		注記参照 SEE NOTES		10 OVER 30 UNDER 以上 未満		±0.25		CHECKED BY & DATE R. Takase '04/01/06		MOLEX INCORPORATED		SEE CHART		SD-54363-038		2			
																				30 OVER 以上		±0.3		APPROVED BY & DATE Y. Ota '04/01/06											
																				ANGLE 角度		±3°		CAD FILENAME SD-54363-038.S02		MATERIAL NO. SEE CHART		DRAWING NO. SD-54363-038		SHEET NO. 2					
																																THIS DRAWING CONTAINS INFORMATION THAT IS PROPRIETARY TO MOLEX INCORPORATED AND SHOULD NOT BE USED WITHOUT WRITTEN PERMISSION.		SIZE B	

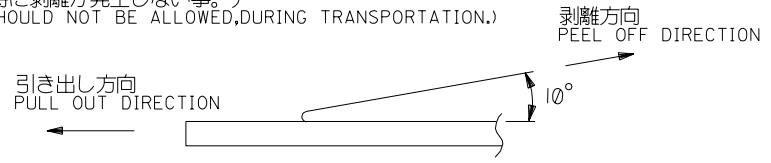
注)
NOTES

- 製品番号 54363-***71 詳細寸法については、製品単体図面を参照下さい。
IN THE PACKAGE PART NUMBER 54363-***71 DETAILED DIMENSIONS, SEE SALES DRAWING FOR CONNECTOR.
- 梱包数量：2000個/リール
NUMBER OF CONNECTORS:2000 PCS/REEL.
- リードテープ長さ
LEAD TAPE LENGTH



- トップテープの剥離強度：(剥離方向は下図参照)
PEELING OFF FORCE OF TOP TAPE (PELLING DIRECTION AS SHOWN IN FOLLOWING FIGURE.)
0. 1~1. 3N {10~130gf}

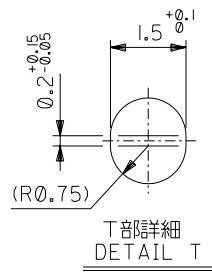
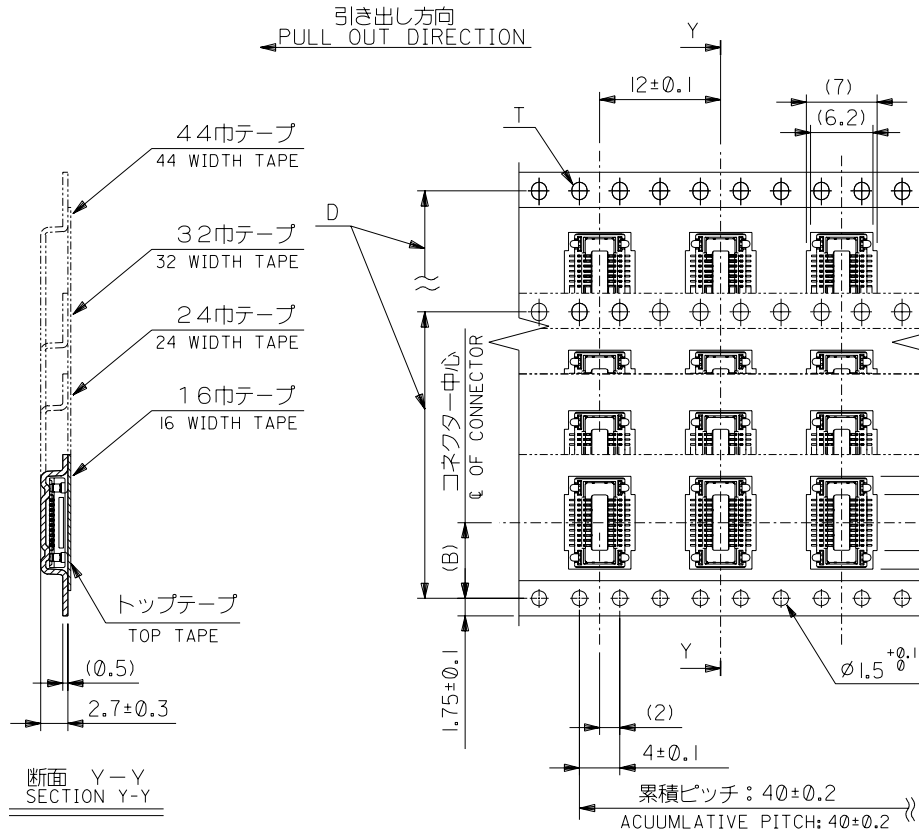
尚、本規格値は、出荷時に適用。
THIS REQUIREMENT SHOULD BE APPLIED AT SHIPMENT.
(但し、輸送時に剥離が発生しない事。)
(PEEL OFF SHOULD NOT BE ALLOWED,DURING TRANSPORTATION.)



- 材料
MATERIAL
キャリアテープ：ポリプロピレン (PP)
CARRIER TAPE:POLYPROPYLENE(PP)
トップテープ：PET, PE, PEF
TOP TAPE:PET,PE,PEF
リール：ポリスチレン
REEL : POLYSTYRENE
- 本製品は 54363-***38 の鉛フリー品である。
THIS PRODUCT IS LEAD FREE OF 54363-***38

DO NOT SCALE DRAWING

EC NO. DRWN: CHK: APPR:		EC NO. DRWN: CHK: APPR:		EC NO. DRWN: CHK: APPR:		REVISED ECNO. J2004-2953 DRWN:H.SHIMABUKURO CHK: K.TOJO APPR:M.SASAO		RELEASED ECNO. J2004-2469 DRWN:H.SHIMABUKURO CHK: K.TOJO APPR:M.SASAO		MATERIAL 材料 注記参照 SEE NOTES		GENERAL TOLERANCES: (UNLESS SPECIFIED) 一般公差		SCALE NONE DESIGN UNITS <input checked="" type="checkbox"/> mm <input type="checkbox"/> INCH		THIRD ANGLE PROJECTION <input type="checkbox"/> mm <input type="checkbox"/> INCH <input checked="" type="checkbox"/> mm ONLY		54363-***48 MODEL NO.			
A		0		0		0		0		FINISH 仕上げ 注記参照 SEE NOTES		10 UNDER 未満 ±0.2		DRAWN BY & DATE H.SHIMABUKURO '04/21/17		TITLE: 54363-***71 -LEAD FREE- TAPING PACKAGE (DIA 330mm REEL)		SHT REV			
										WIRE RANGE 適用層線範囲		10 OVER 30 UNDER 以上 未満 ±0.25		CHECKED BY & DATE K.TOJO '04/21/17		MOLEX MOLEX INCORPORATED		REVISE ON CAD ONLY			
										INS. RANGE 被覆外径		30 OVER 以上 ±0.3		APPROVED BY & DATE M.SASAO '04/21/17		MATERIAL NO. SEE CHART		DRAWING NO. SD-54363-042		SHEET NO. 1 OF 2	
										ANGLE 角度 ±3°		CAD FILENAME 54363042.S01		THIS DRAWING CONTAINS INFORMATION THAT IS PROPRIETARY TO MOLEX INCORPORATED AND SHOULD NOT BE USED WITHOUT WRITTEN PERMISSION.		SIZE B					



49.4	45.4	44±0.3	40.4	29.2	20.2	25.55	54363-0048	100	○
				26.7		23.05	54363-9048	90	—
				24.2		20.55	54363-8048	80	○
37.4	33.4	32±0.3	28.4	21.7	14.2	18.05	54363-7048	70	○
				19.2		15.55	54363-6048	60	○
				16.7		13.05	54363-5048	50	○
29.4	25.4	24±0.3	—	14.2	11.5	10.55	54363-4048	40	○
				11.7		8.05	54363-3048	30	○
21.4	17.4	16±0.3	—	9.2	7.5	5.55	54363-2048	20	○
G	F	E キャリアテープ幅 CARRIER TAPE WIDTH	D	(C)	(B)	(A)	製品番号 MATERIAL NO.	極数 CIRCUITS AVAILABLE	量産対応 AVAILABLE

DO NOT SCALE DRAWING

EC NO. DRAWN: CHK'g: APPR'g:	EC NO. DRAWN: CHK'g: APPR'g:	EC NO. DRAWN: CHK'g: APPR'g:	REVISED ECNNO. J2004-2953 DRAWN: H.SHIMABUKURO CHK'g: K.TOJO APPR'g: M.SASAO	RELEASED ECNNO. J2004-2469 DRAWN: H.SHIMABUKURO CHK'g: K.TOJO APPR'g: M.SASAO	DESCRIPTION	MATERIAL 材料	FINISH 仕上げ	WIRE RANGE 適用線径範囲	INS. RANGE 被覆外径
			A	0		#	#	#	#

GENERAL TOLERANCES: (UNLESS SPECIFIED) 一般公差	SCALE DESIGN UNITS NONE <input checked="" type="checkbox"/> mm <input type="checkbox"/> INCH	THIRD ANGLE PROJECTION <input checked="" type="checkbox"/> mm <input type="checkbox"/> INCH	DRAWN BY & DATE H.SHIMABUKURO '04/2/17	CHECKED BY & DATE K.TOJO '04/2/17	TITLE: 54363-***71 -LEAD FREE- TAPING PACKAGE (DIA 330mm REEL)
10 UNDER 未滿	±0.2		APPROVED BY & DATE M.SASAO '04/2/17	CAD FILENAME 54363042.S02	MATERIAL NO. DRAWING NO. SEE CHART SD-54363-042
10 OVER 以上	±0.25		ANGLE 角度	±3°	SHEET NO. 2
30 OVER 以上	±0.3		THIS DRAWING CONTAINS INFORMATION THAT IS PROPRIETARY TO MOLEX INCORPORATED AND SHOULD NOT BE USED WITHOUT WRITTEN PERMISSION.		SIZE B