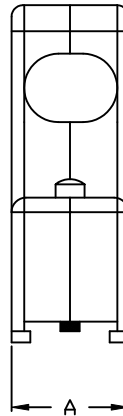
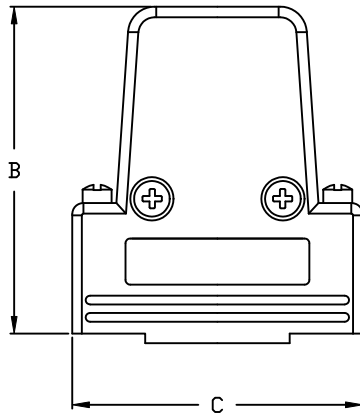


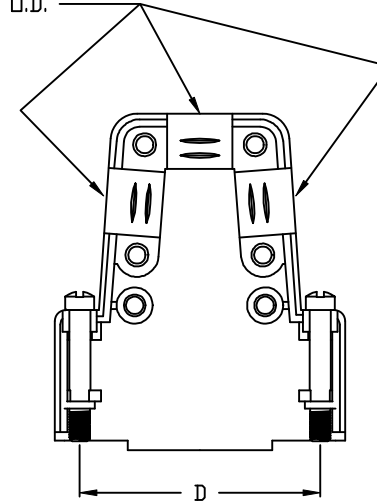
# BACKSHELL KIT INCLUDES:

- (2) BACKSHELL HAVLES
- (2) 4-40 JACKSCREWS
- (2) HOUSING SCREWS (self-tapping)
- (2) STRAIN RELIEF CLAMP
- (4) STRAIN RELIEF SCREWS (self-tapping)
- (2) CABLE SLOT SHUT-OFFS

DIMENSIONS (mm/in)					
SIZE	A $\pm \begin{smallmatrix} .38 \\ .015 \end{smallmatrix}$	B $\pm \begin{smallmatrix} .25 \\ .010 \end{smallmatrix}$	C $\pm \begin{smallmatrix} .38 \\ .015 \end{smallmatrix}$	D $\pm \begin{smallmatrix} .38 \\ .015 \end{smallmatrix}$	E
9	15.00	45.20	31.00	24.99	5.84
	0.590	1.780	1.220	0.984	0.230
15	15.00	45.20	40.30	33.32	8.63
	0.590	1.780	1.587	1.312	0.340
25	15.00	45.20	53.50	47.04	10.16
	0.590	1.780	2.106	1.852	0.400
37	15.00	45.20	70.00	63.50	10.54
	0.590	1.780	2.756	2.500	0.415



E = MAX CABLE D.D.



## MATERIAL:

- BACKSHELL PLASTIC: ABS - BLACK - UL RECOGNIZED
- 4-40 JACKSCREWS: STEEL - BLACK OXIDE
- HOUSING SCREWS: STEEL - BLACK OXIDE
- STRAIN RELIEF CLAMP: STEEL - Zn PLATED
- STRAIN RELIEF SCREWS: STEEL - Zn PLATED
- CABLE SLOT SHUTOFFS: ABS - BLACK - UL RECOGNIZED
- OPERATING TEMP: -55°C TO +110°C

## ORDERING INFORMATON:

SIZE	P/N KITTED:	PRODUCT CODE:
9-WAY	6550-0101-01	MHTRI-P-09-K
15-WAY	6550-0101-02	MHTRI-P-15-K
25-WAY	6550-0101-03	MHTRI-P-25-K
37-WAY	6550-0101-04	MHTRI-P-37-K

THESE DRAWINGS AND SPECIFICATIONS ARE THE PROPERTY OF MH CONNECTORS LTD. AND SHALL NOT BE REPRODUCED, COPIED OR USED AS THE BASIS FOR THE MANUFACTURE OR SALE OF APPARATUS WITHOUT WRITTEN PERMISSION.

DRAWN		DATE	
P. JENKINS		03-14-12	
APPROVED		DATE	
D. CROFT		03-14-12	
SCALE	SHEET	OF	REV:
NTS	1	1	A
DRAWING No			
MHTRI-P SERIES			

# RoHS COMPLIANT



## MH CONNECTORS LTD.