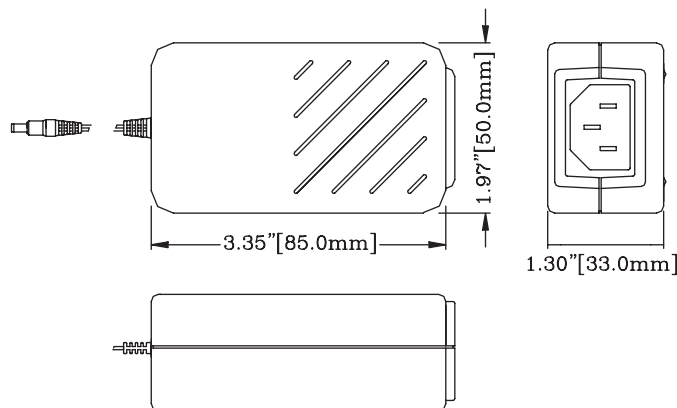


MW12 series

12 Watt Medical Grade AC Adapter



Features

- Wide range AC input
- Fully regulated output
- High efficiency
- Medical grade approval
- Also available in white
- 5 year warranty

Environmental

- Operating temperature..... 0° C to 40° C
- Storage temperature..... -55° C to 85° C
- Weight = 0.45 lbs

EMI/EMC

- Meets FCC class B, CISPR 11 class B
- EMC per EN60601-1-2

Safety

- UR/cUR UL2601-1
- CE Marked EN60601-1-2:2001

Input and Output Connections

- Input connector (P1) = IEC 60320 inlet plug
- Output connector (P2) = Switchcraft p/n 760
- Output mating connector = Switchcraft p/n 712A or equivalent

Polarity



Electrical Specifications

Input

- Voltage..... 100 - 240 VAC
- Current..... 2.0 Amp @ 100 VAC
- Frequency..... 50 - 60 Hz
- Max. Earth leakage current:

Test Voltage	Normal	Single-fault
132 VAC 60 Hz	100 uA	200 uA
264 VAC 60 Hz	200 uA	400 uA

Output

- Line regulation..... TYP +/- 1%
- Load regulation..... TYP +/- 5%
- Set point..... +/- 3% at 60% load
- Hold up time..... 20 ms min at full load, 115 VAC
- Transient response..... 2 ms for 50% to 100% load change
- Over voltage protection..... Built-in
- Over current protection..... Built-in
- Short circuit protection..... Pulsing mode, auto recovery
- Efficiency..... 80% min at full load and 115 VAC
- Ripple/noise (V_{p-p})..... +/- 1% (20 MHz bandwidth)

Model No.	Voltage	Power	Current
MW1212-760-NC-BK	12V	12W	1.0A
MW1224-760-NC-BK	24V	12W	0.5A