

PLEASE CHECK WWW.MOLEX.COM FOR LATEST PART INFORMATION

Part Number: [0513790773](#)
Status: **Obsolete**
Description: 0.50mm (.020") Pitch FFC/FPC Connector, 0.90mm (.035") Mated Height, Right Angle, SMT, ZIF, Top Contact Style, 7 Circuits, Lead-free, Gold Contact Plating

Documents:

General

Product Family	FFC/FPC Connectors
Series	51379
Product Name	N/A

Physical

Circuits (Loaded)	7
Color - Resin	Natural
Contact Position	Top
Durability (mating cycles max)	20
Entry Angle	90° Angle
Mated Height	0.90mm (.035")
Material - Metal	Phosphor Bronze
Material - Plating Mating	Gold
Material - Plating Termination	Gold
Material - Resin	High Temperature Thermoplastic
Number of Rows	1
Orientation	Right Angle
PCB Locator	No
PCB Retention	Yes
Packaging Type	Embossed Tape on Reel
Pitch - Mating Interface	0.50mm (.020")
Plating min - Mating	0.102µm (4µ")
Plating min - Termination	0.102µm (4µ")
Polarized to PCB	Yes
Stackable	No
Surface Mount Compatible (SMC)	N/A
Temperature Range - Operating	-20°C to +85°C
Termination Interface: Style	Surface Mount
Wire/Cable Type	FFC/FPC

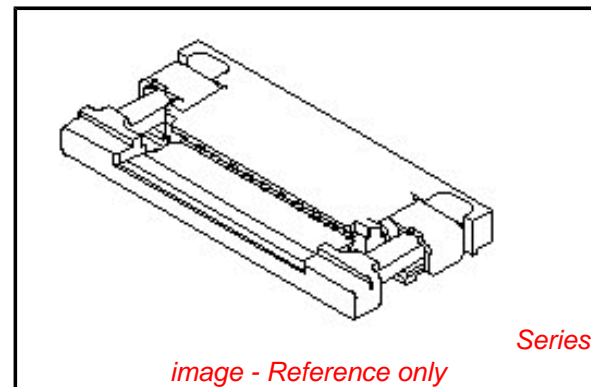
Electrical

Current - Maximum per Contact	0.5A
Voltage - Maximum	50V

Material Info

Reference - Drawing Numbers

Application Specification	AS-51379-001
Product Specification	PS-51379-024
Sales Drawing	SD-51379-030, SD-51379-031



EU RoHS

**ELV and RoHS
Compliant**
REACH SVHC
 Not Reviewed
Low-Halogen Status
 Not Reviewed

China RoHS



**Need more information on product
environmental compliance?**

Email productcompliance@molex.com
 For a multiple part number RoHS Certificate of Compliance, [click here](#)

Please visit the [Contact Us](#) section for any non-product compliance questions.

Search Parts in this Series
[51379Series](#)