

## Products

### B4 series | Illuminated double-pole switch 16A quick connection 6.3 black body



sample image

**PRODUCT CODE: B418C1E000000**

Wiring diagrams



Terminal type



#### accessories

Body colour



Actuator colour



Marking



Rating

**16 (6) A / 250 VAC**

**10 (4) A / 250 VAC - 5E4**

**T120/55 °C**

20 A / 125 VAC

1/3 HP - 125 VAC

16 A / 250 VAC

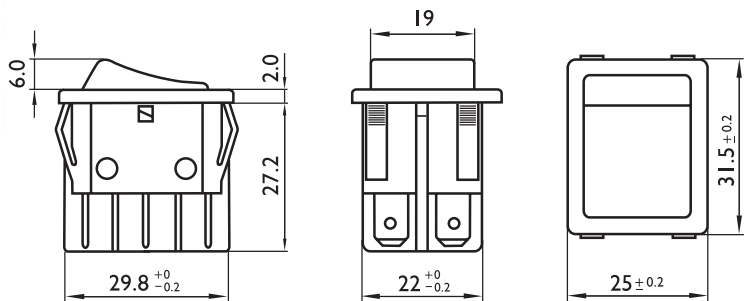
3/4 HP - 250VAC

T105 °C

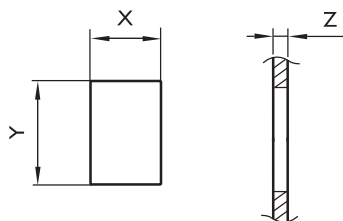
Approvals



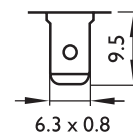
#### Dimensions (mm)



#### Cut out (mm)



#### Termination



Z	Y	X
0.7-1.25	30.0 <sup>0</sup> -0.1	22.0 <sup>+0.3</sup> -0
1.25-2.0	30.2 <sup>0</sup> -0.1	22.0 <sup>+0.3</sup> -0
2.0-3.0	30.6 <sup>0</sup> -0.3	22.0 <sup>+0.3</sup> -0
3.0-4.0	30.8 <sup>0</sup> -0.3	22.0 <sup>+0.3</sup> -0