

LUM – Technical Information

The real plug-and-play outdoor fixture.



A: Benefits

- High lumen output for illumination.
- RGB colour changing effects.
- Easy handling and installation.
- Compact size LED floodlight with low power consumption and cool running.
- Robust construction giving minimal maintenance.

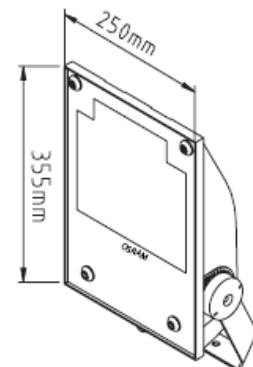
B: Application

- Illumination from entertainment to historical architecture.
- For dynamically and smoothly illumination of façades and landscape with a huge range of colourings.
- To replace conventional lighting solutions suitable for all locations.



C: Product Description

- Aluminium die cast housing, tempered glass with silkscreen.
- 34 high power GOLDEN DRAGON LED (10 red – 12 green – 12 blue).
- Equipped with 30° lens.
- OSRAM OT EASY 60 W / 24 V power supply and controller integrated into the floodlight.
- Floor or wall mounted.
- Up to 16 projectors can be linked together via master-slave.



D: Packaging

Brown shipping box –450 mm x 290mm x 120mm

E: Logistic Data

| Product Name | Color | EAN | Shipment Unit |
|--------------------|-------|----------------|---------------|
| EUROFLOOD RGB EASY | grey | 4008321 218421 | 1x1 |

Accessory

| Product Name | Color | EAN | Shipment Unit |
|----------------------------|-------|-----|---------------|
| EUROFLOOD IR receiver IP65 | - | n/a | |

Other suitable accessories

| Product Name | Color | EAN | Shipment Unit |
|-----------------------------|-------|----------------|---------------|
| DALI EASY remote control | blue | 4008321 053152 | 1x1 |
| EASY COLOR CONTROL software | - | 4008321 915559 | 1x1 |
| EASY PB Coupler | - | 4008321 915597 | 1x1 |

EASY PB Coupler :
can be connected to the Euroflood RGB Easy with integrated screw terminal.



EASY COLOR CONTROL Software :



F: Marketing Tools

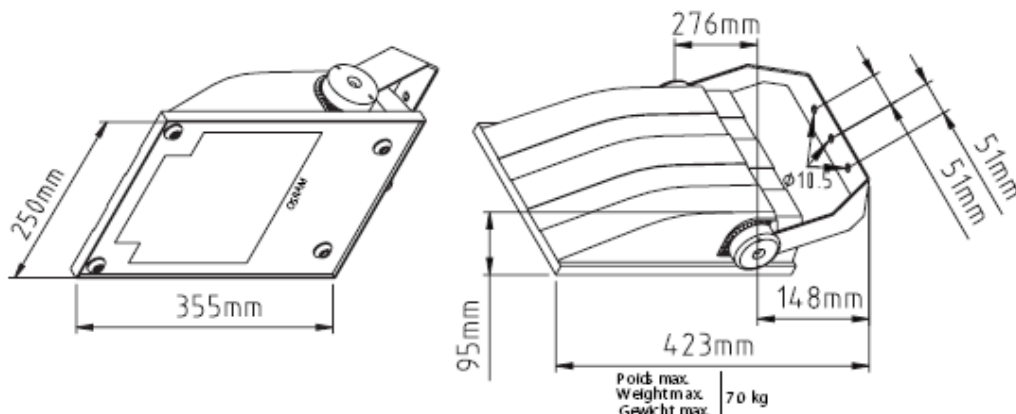
- Product presentation
- User manual

G: Technical Information

1. Housing, mounting and Accessories

- Housing special features : mounting bracket as integrated part of floodlight, cover mounted on hinges, to open with 2 captive screws, 2x M16 packing gland for power supply cable and data cable.
- IR outdoor receiver : equipped with rapid connector.

| | |
|------------------------------|---|
| Housing material | Aluminium die cast housi Clear tempered glass cover with silkscreen. |
| Housing colour | Grey – RAL 9007 |
| Mounting foot | Tempered steel, powdered grey RAL 9007 |
| Net weight | 7.0 kg |
| Dimensions (WxHxD) mm | Overall : 250 mm x 423 mm x 95 mm Without mounting support : 250 mm x 355 mm x 95 mm |
| Mounting holes | Ø 10.5mm, 3 holes spacing 51mm centred |
| Operating temperature | - 25 °C to + 35 °C |
| Storage temperature | to be defined |
| Fire protection | to be defined |
| Glow wire test | to be defined |
| Ingress protection | IP 66 |
| Shock resistance | IK 09 |
| Safety class | I |
| Approval marks | - |



EUROFLOOD RGB EASY

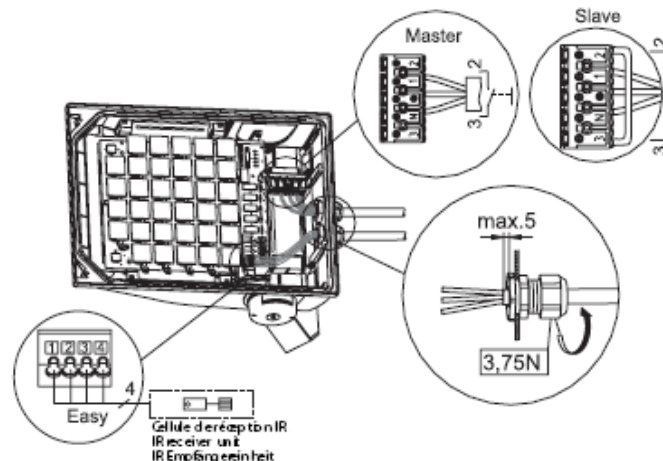
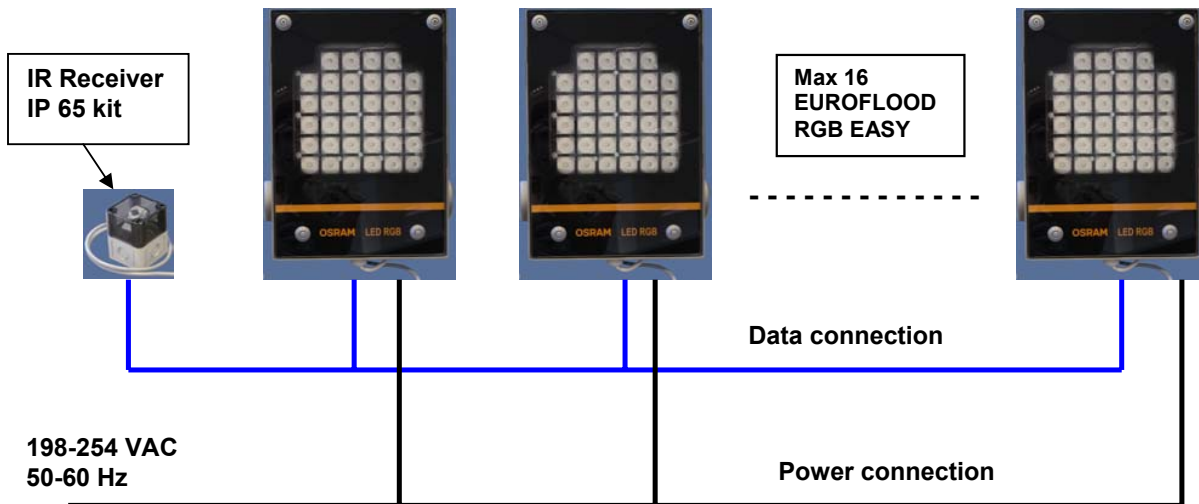


- Mounting : see instruction manual
- Power cables : HO5RN-F / HO7RN-F / NYM 3x1.5-2.5 mm²
- Data cables : HO5RN-F / HO7RN-F / NYM 4x0.3-1.0 mm² - max 50m to PB Coupler – max 100m to IR receiver
- Connections have to be done thru IP65 min junction box, max 100m total connection cable from first to last fixture

2. Electrical Installation

- Data and power wires connecting with push-wire connectors.
- Direct power connection on electrical connection.

| | |
|--------------------------------|--|
| Power supply (included) | OSRAM OT EASY 60/220-240/24 RVB |
| Input voltage | 198 to 254 V AC |
| Rated power | 45 W |
| Mains Frequency (Hz) | 50 – 60 Hz |



3. Optical features

- For dynamic colour applications with endless colour mixing possibilities.
- Best output with real uniform colour coverage.
- Best suitable for applications that require large wall washing and long throw capabilities

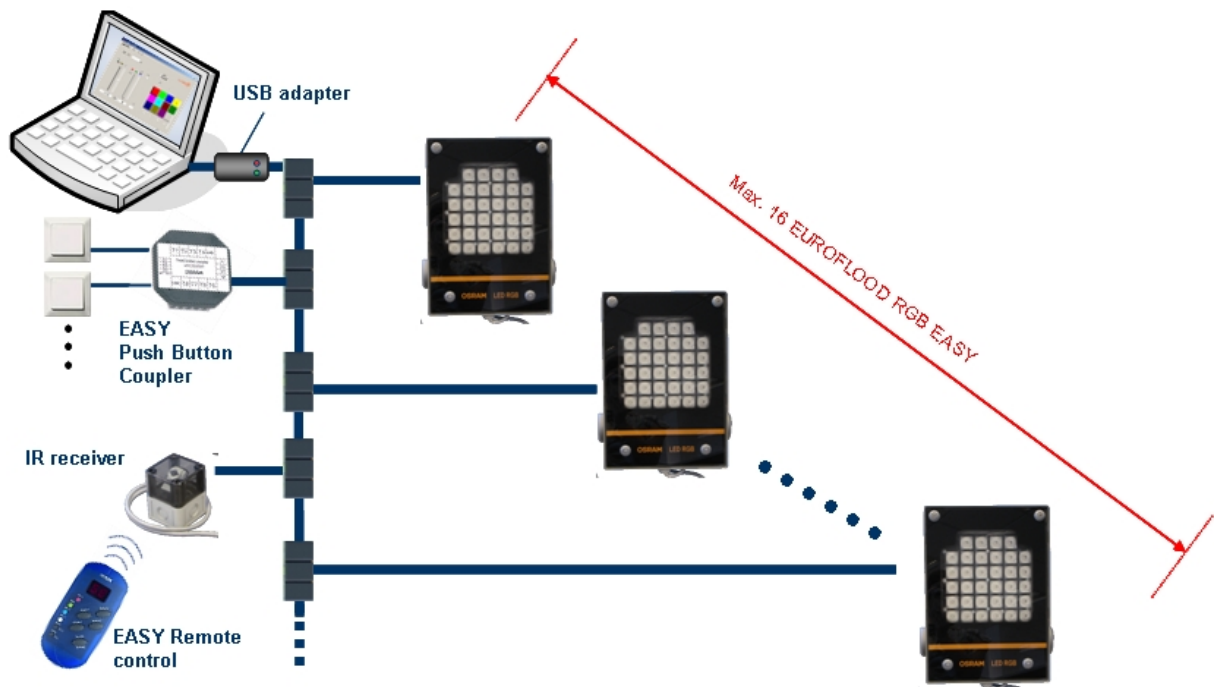
| | |
|---|---|
| Used LED | 34 x OSRAM High power Golden Dragon 1W LED |
| LED color | Red : 10 LED Green : 12 LED Blue : 12 LED |
| Beam angle | 30° deg. lenses |
| LED configuration | LED mounted in mixed position, pitch 3 cm. |
| Luminous intensity (350mA / LED) | Red : on going Green : on going Blue : on going White : on going |
| Luminous flux (dimming 100%) | Red : on going Green : on going Blue : on going White : on going |
| Illumination height | On going |



4. Control

- Easy to use with high reliable OSRAM OT EASY controller.
- Independent operation of systems with up to 16 fixtures, via master-slave links.
- Suitable for complete OSRAM Easy colour control products

| | |
|--|--|
| Communication interface | Easy IR remote control Easy push button coupler Easy COLOR CONTROL programming software kit |
| Driver used (included in the luminaire) | OSRAM OT EASY 60/220-240/24 RGB |



H: Tender text

- Compact and reliable housing used for a while with HID lamps which allows also the instant replacement of classical fixtures by this high efficiency LED fixture.
- Easy to connect on electrical power connection with standard power cables.
- Excellent colour mixing due to an innovative LED positioning.
- Best suitable for non-DMX professionals with the large OSRAM EASY communication systems.